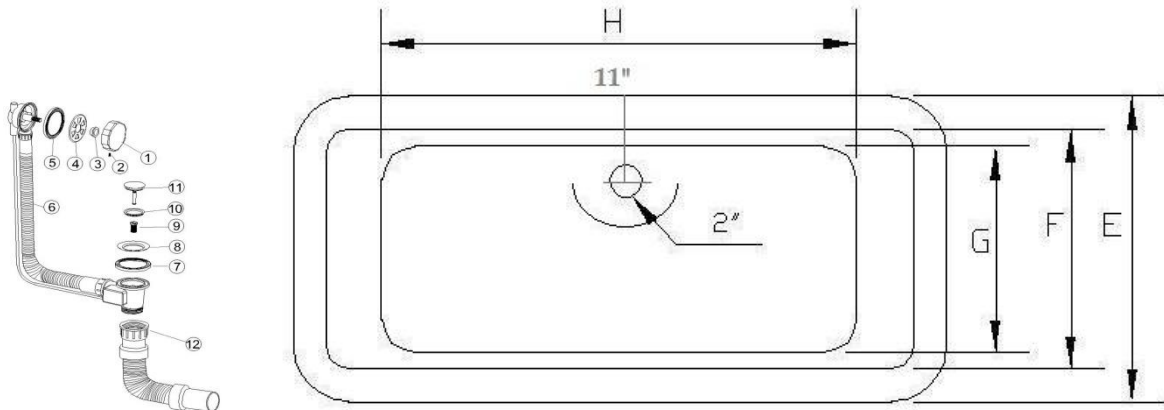
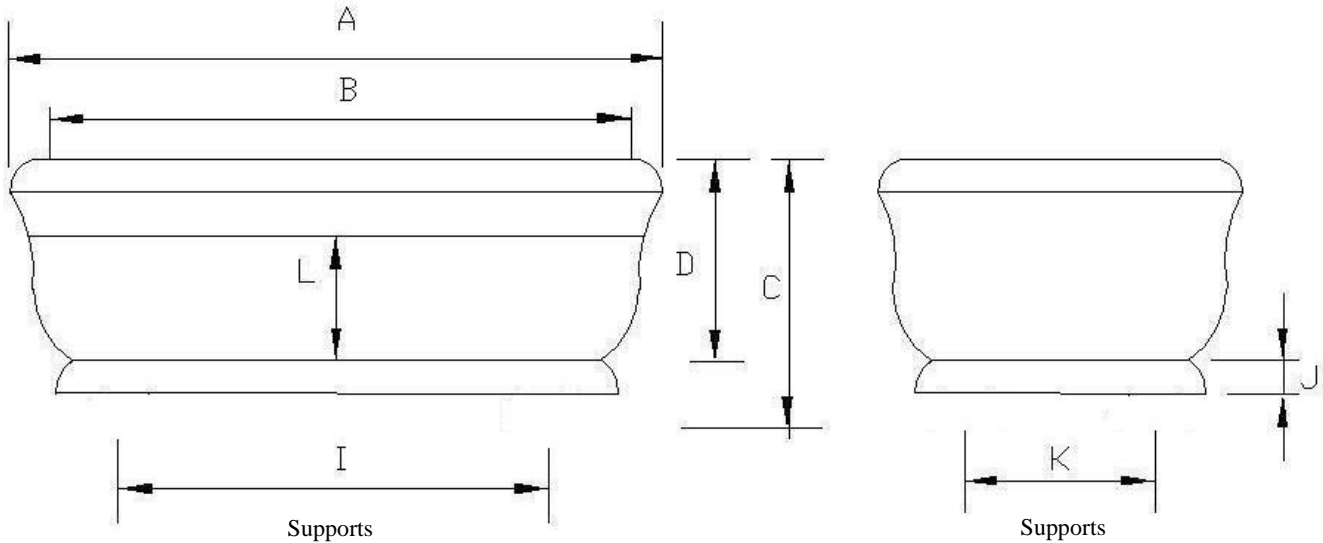




STROM
L I V I N G

Ph: (916) 638-2722 / Fax: (916) 638-2725

Tub Specifications –P0945 Acrylic Soaking Tub without Legs



	A	B	C	D	E	F	G	H	I	J	K	L	VOL	WGHT
P0945	70"	61 3/4"	25"	20 1/2"	34"	26"	17"	43"	34"	4 1/2"	16"	13 1/4"	62 GAL	139 LB

We recommend the drain on the floor being roughed-in within an 8" arc of the drain hole on the tub. This will allow the flex hose an offset to drain properly. Please use a bead of silicone around the base of the tub to provide a seal between the tub and the floor, and to prevent the tub from moving.