

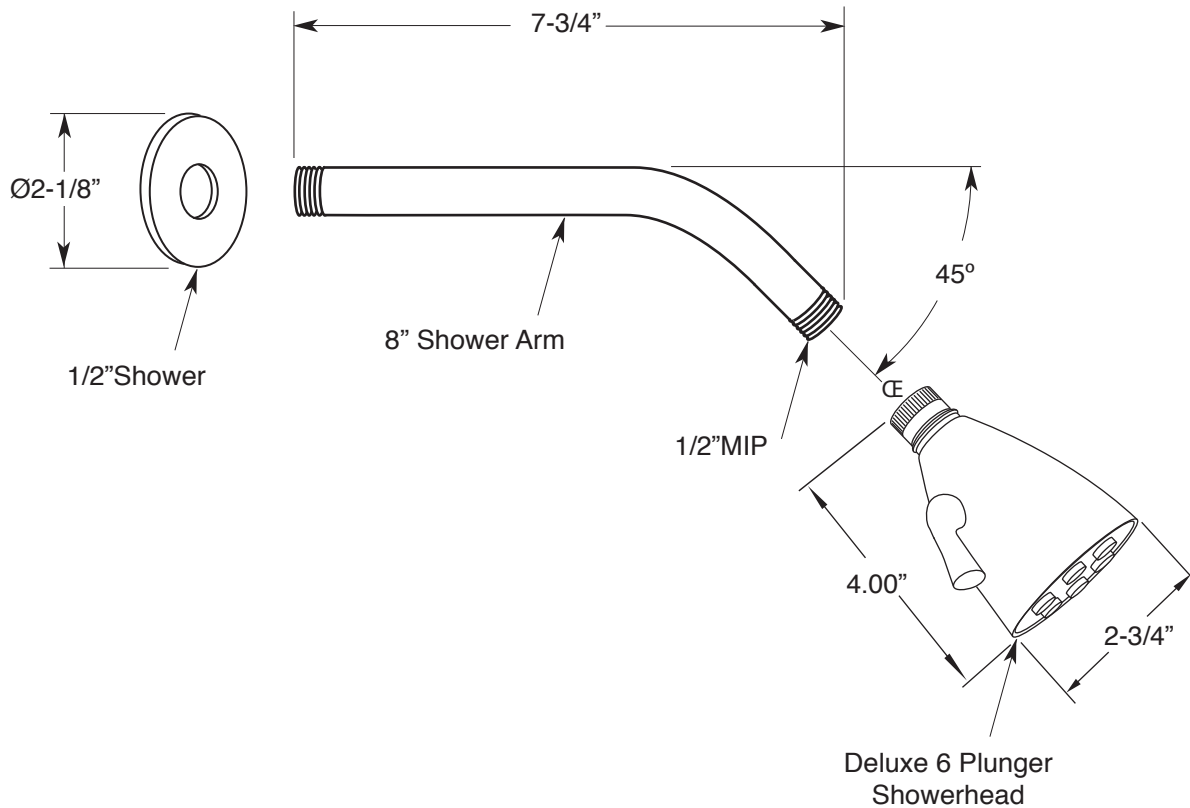
**FEATURES:**

- All brass construction
- Deluxe 6 plunger showerhead P/N: 18.10.024
- 8" extended shower arm P/N: 18.10.043
- 1/2" stamped shower flange P/N: 18.10.003
- 2.5 gpm flow restrictor installed
- Water savings 2.0 gpm available - upon request
- Available in all Sigma finishes
- Certified to meet or exceed the following codes and standards:  
ASME A112.18.1/CSAB 125.1-2011

**Showerhead**

**6 Plunger Showerhead  
Arm and Flange**

18.10.009



Note: Measurements are subject to change or cancellation. No responsibility is assumed for use of superseded or voided pages.