



Sinks

VTP 821A

TULIP COLLECTION

Design Joël Dupras and WETSTYLE Design Lab



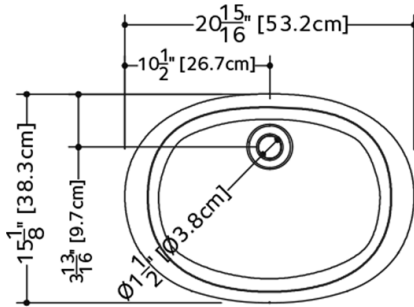
FEATURES

Handcrafted in Montreal, Canada

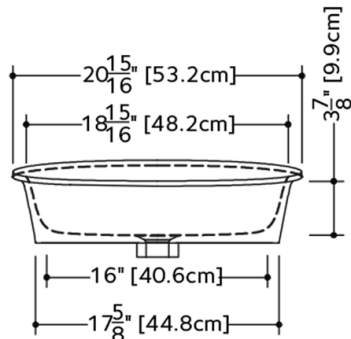
Option: Pop-up drain

TECHNICAL DETAILS

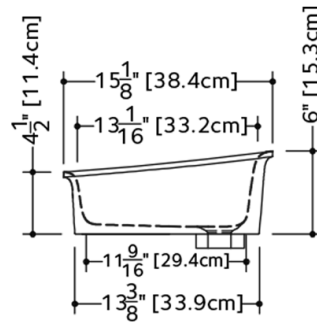
- **Width:** 15.88"
- **Length:** 21"
- **Height:** 4,56"
- **Weight:** 12 lbs / 5 kg



plan view



front view



side view

VTP 821A

WETSTYLE cannot be held responsible for any technical errors and reserves the right to make revisions without notice. Approximate measurement. The manufacturer accepts 1/4" (6.35mm) variance.

OPTIONS

Model

- VTP821A

Overflow

- No Overflow
- With Overflow - Brushed Nickel (#BN)
- With Overflow - Matte Black (#MB)
- With Overflow - No Trim (#NT)
- With Overflow - Polished Chrome (#PC)
- With Overflow - Satin Brass (#SB)

WETMAR BiO Finish

- White Dual (#DA)
- White Matte (#MA)
- White True High Gloss (#GA)

CODES/STANDARDS APPLICABLES

IAPMO-ANSI Z124.1
IAPMO-ANSI Z124.3
CSA B 45.0
CSA B 45.4