



installation guide

furniture

BEFORE YOU BEGIN

Your choice is a testimonial to your excellent taste. Thank you for choosing from among WETSTYLE's quality line of products. We recommend that you carefully read this guide to ensure your furniture's proper installation and reliability for many years to come.

TOOLS AND EQUIPMENT



Protective glasses



Drill and bits



Measuring tape



Paper pencil



Level

FURNITURE - DRILLING GUIDE, CLEANING GUIDE & WARRANTY

WETSTYLE DRILLING INSTRUCTION / drain and faucets installation

1. Using a white pencil, trace the openings required to install the drain and the faucet (single hole, 3-hole, or wall-mount faucet) on the cabinet.

ATTENTION :

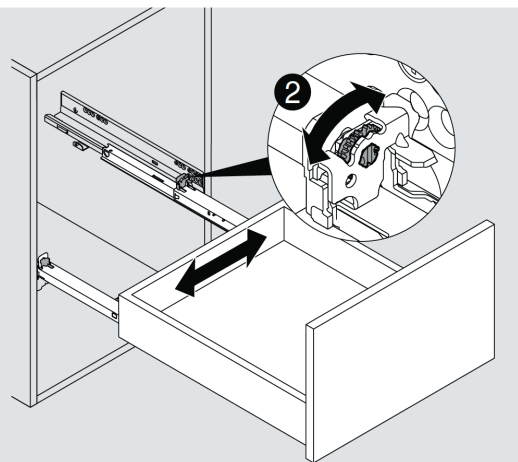
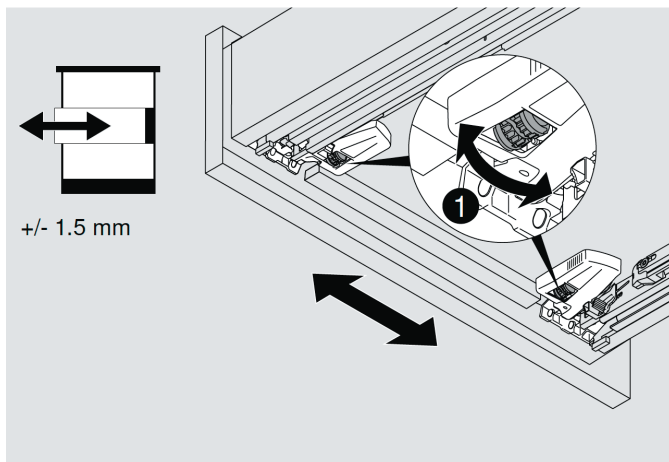
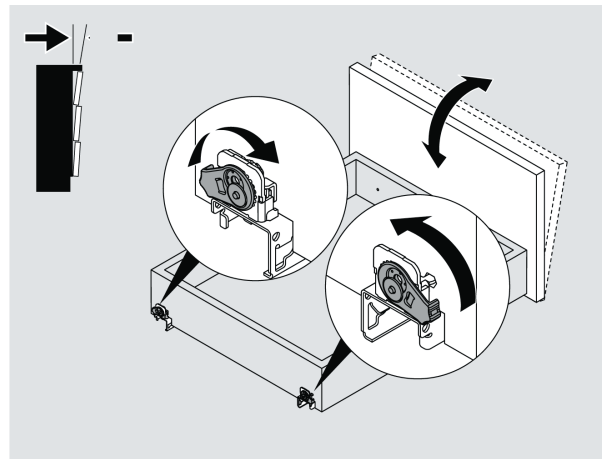
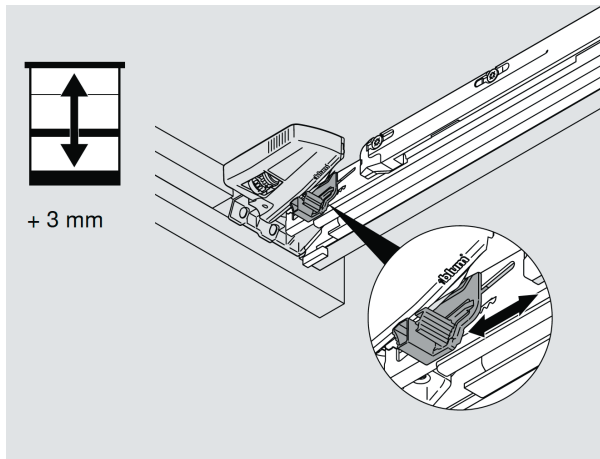
Before drilling the furniture, please make sure that the holes do not interfere with the drawer operation.

2. Using a 3/8" drill, drill holes at the ends of the inside edges of the tracing.
3. Use a Jig-saw to cut around the tracing in order to complete the desired opening.
4. Tap drilling: use a hole saw with a 1-3/8" diameter.

SILICONE SEALANT

1. Apply a silicone bead at the junction of the vanity top and the wall. This will prevent water from damaging the exposed wood on the back of the vanity.
2. Apply a silicone bead all around the sink. This will prevent water from going under the sink.

VANITY DRAWER ADJUSTMENT



CLEANING GUIDE

The WETSTYLE furniture is ultra-easy to clean: after each use, simply wipe with a soft cloth after each use, to remove any surface dirt.

For standard cleaning, we recommend using warm water with vinegar.

Do not use abrasive products or cream cleansers.

Never use petroleum-based products when cleaning, i.e. paint thinners or other solvents, as they may damage the wood surface.

WARRANTY

The warranty on WETSTYLE products covers all defects in materials and manufacturing for a period of one year from the date on which the owner originally purchased the product directly from WETSTYLE or from an authorized retailer. This warranty is valid for the original owner only.

This warranty does not apply to cases in which a product was incorrectly installed, nor to damage due to negligence, misuse, cigarettes, flames, natural catastrophes or other accidents.

WETSTYLE is not responsible for costs and claims that may arise from purchase of a product unsuited to the structure of the existing building.

Any transformation or alteration made to a WETSTYLE product automatically voids the warranty.

The manufacturer's warranty is limited to repair or replacement (with a product of equal value), provided the claim is made to an authorized retailer or directly to WETSTYLE within the warranty period. Labour costs and any other expenses entailed by replacement of a WETSTYLE product are not covered by the warranty.