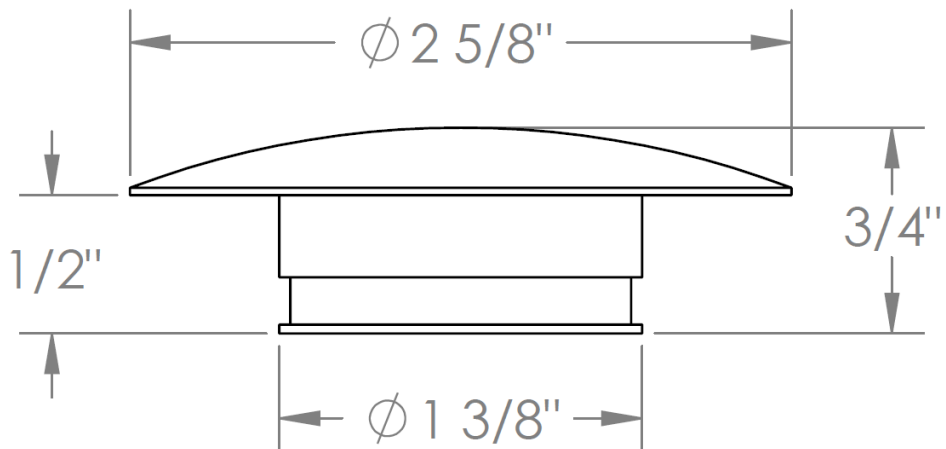


**MPLUG.5**

Replacement Plug for MPU5 and MPU5PL



**WATERMARK DESIGNS 2/4/2019**