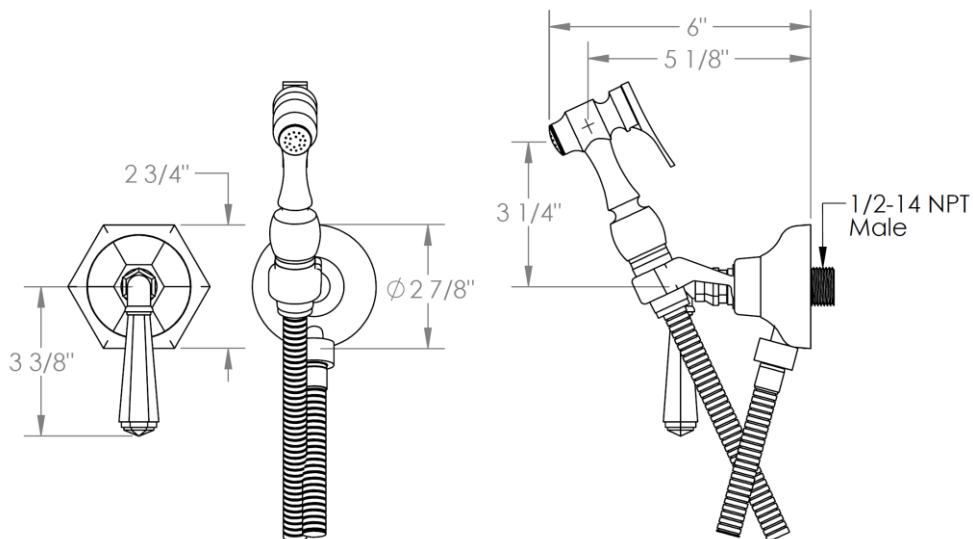


**314-4.4-\_\_**

**Wall Mounted Bidet Spray Set with Mixer and 49" Hose**

Requires SS-SHV1.2 concealed rough

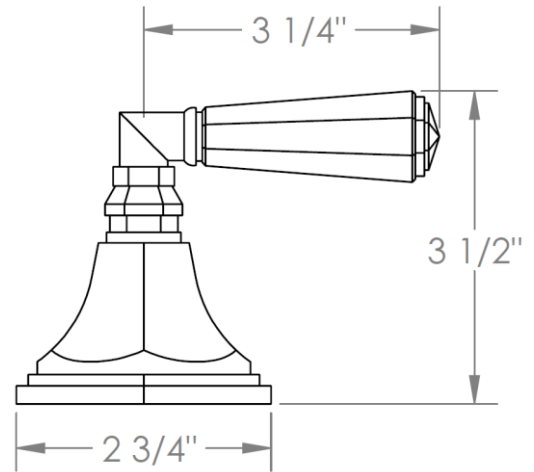
Note: Some building codes may require backflow preventers installed in the supply lines



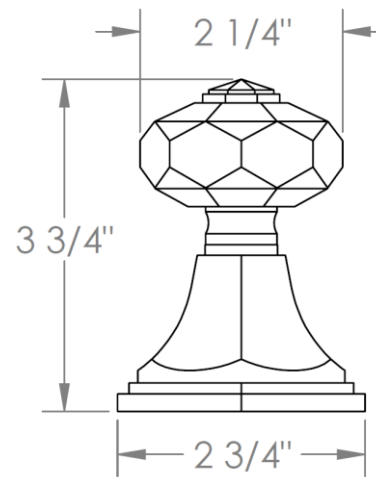
Meets the applicable requirements of ASME A112.18.1-2005/CSA B125.1-05, entitled "Plumbing Supply Fittings"

## HANDLE TRIM OPTIONS

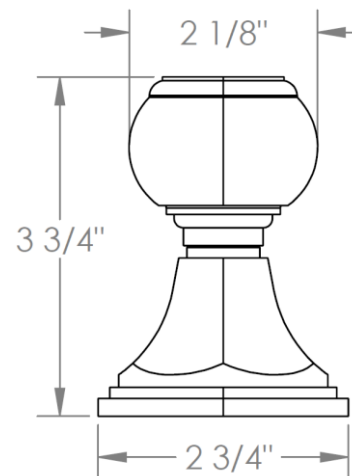
CRY4 – ROOSEVELT



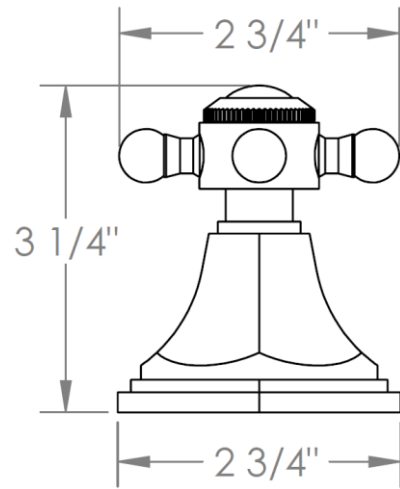
CRY5 – MARMONT



T6 – NEWTON



XX – SHETFIELD



YY – NEWPORT

