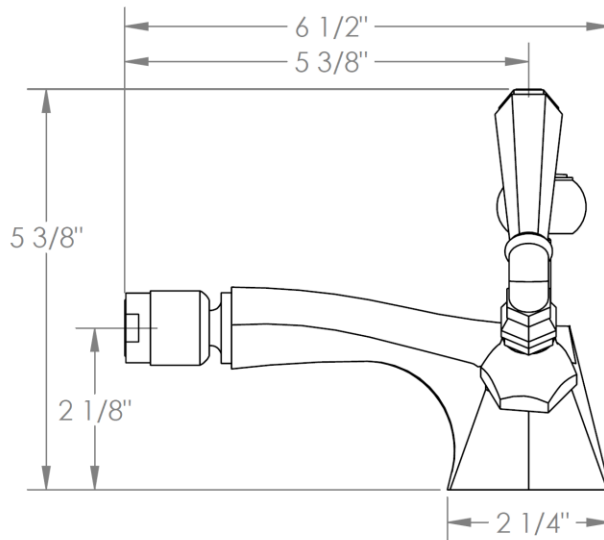
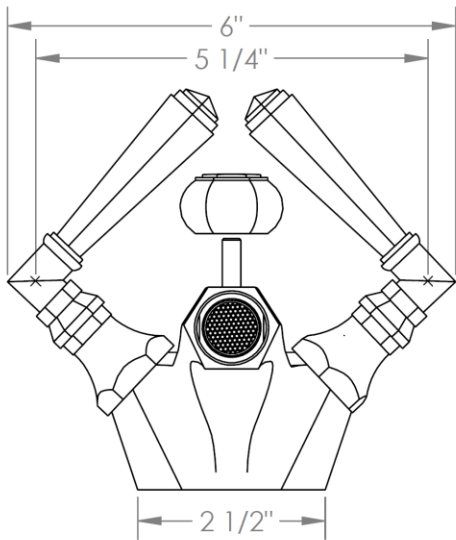


314-4.1-__

Deck Mounted Bidet Monoblock

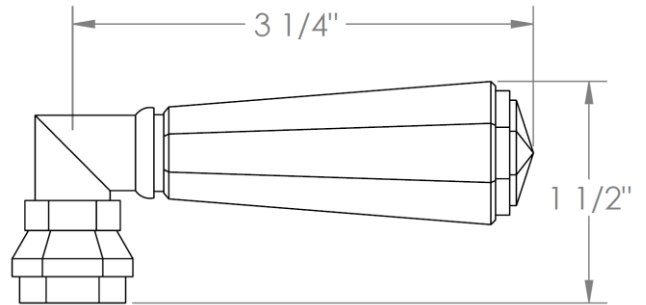
Includes MPU7 pop-up drain

Note: Some building codes may require backflow preventers installed in the supply lines

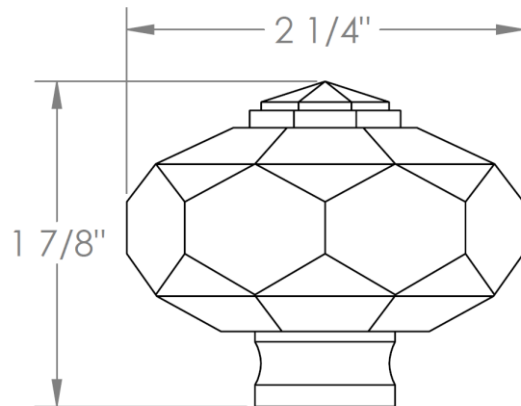


HANDLE TRIM OPTIONS

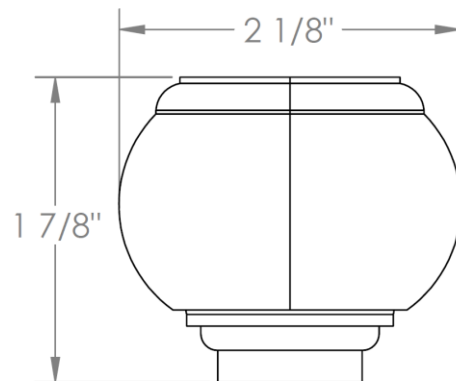
CRY4 – ROOSEVELT



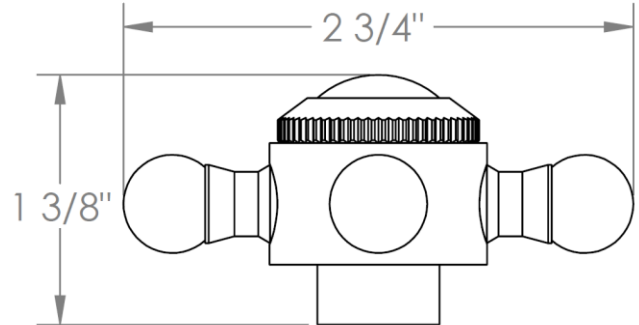
CRY5 – MARMONT



T6 – NEWTON



XX – SHETFIELD



YY – NEWPORT

