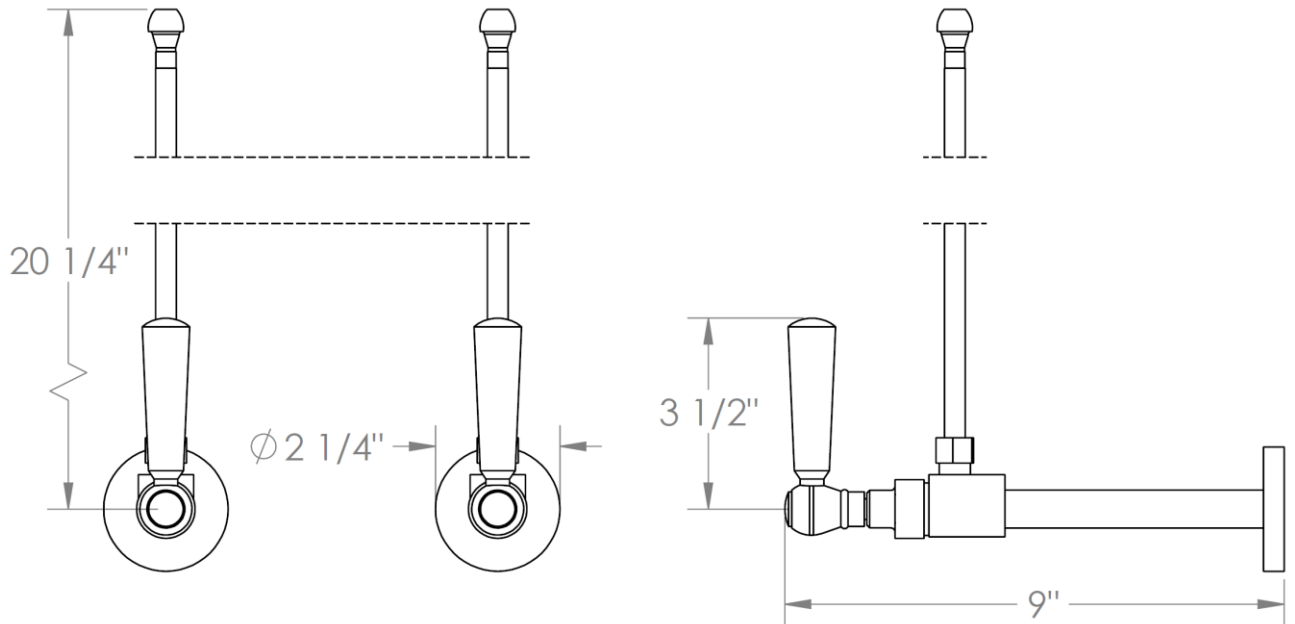
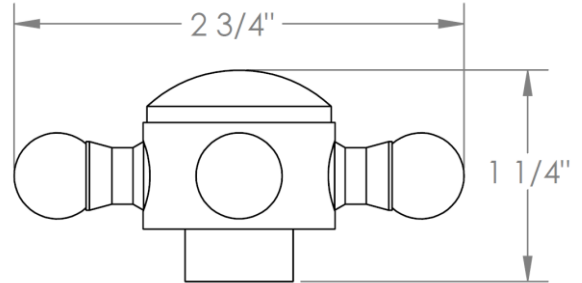


**313-MAS3-**  
Lavatory Angle Stop Kit  
1/2" Sweat x 3/8" OD Compression

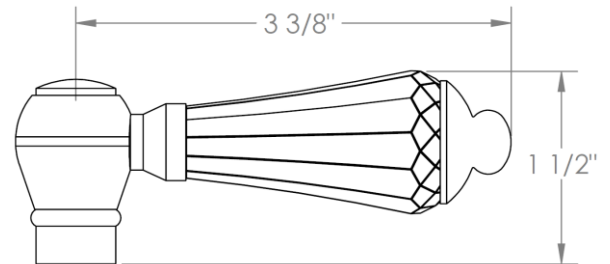


## HANDLE TRIM OPTIONS

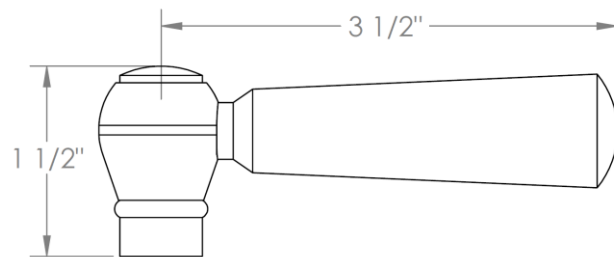
### AX – LOS ANGELES



### SW – SAN FRANCISCO



### WW – BOSTON



### Y2 – WILLIAMS

