

WATERMARK

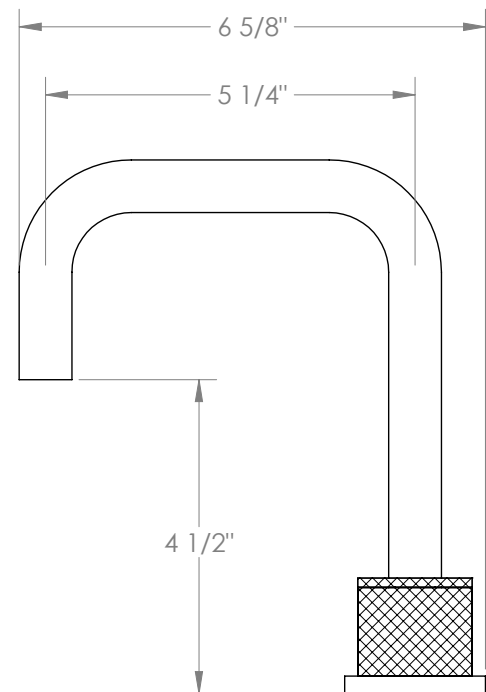
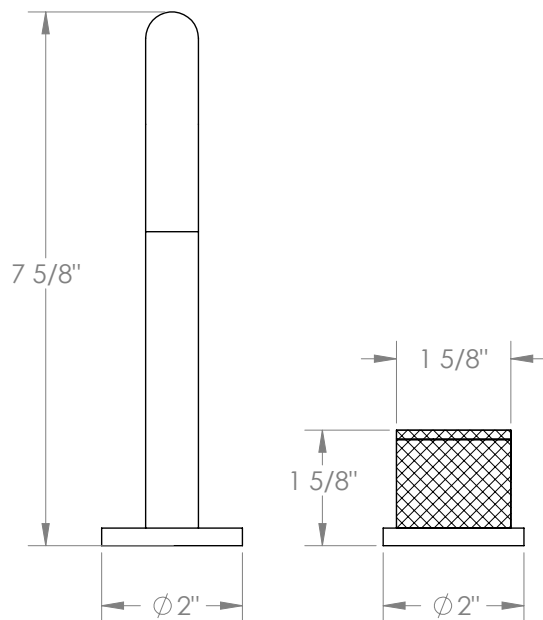
BROOKLYN, NEW YORK



Titanium 22-1.3.18-TIA Deck Mounted 2 Hole Lavatory Set with Extended Spout

- Includes MPU5 Soft-Touch Drain
- Fits Deck Up To 2-1/4" Thick
- Recommended Mounting Hole: 1-3/8"
- Lead-Free Brass Construction
- Flow Rate: 1.2 GPM
- Fluehs Ceramic Valves
- Professional Installation Required

Available in all finishes shown on the [Watermark Designs website](#)



Meets the applicable requirements of ASME A112.18.1/CSA B125.1, entitled "Plumbing Supply Fittings".

Watermark Designs reserves the right to make revisions without notice to product specifications. All product dimensions are nominal.

04/2024

350 Dewitt Ave. Brooklyn, NY 11207 USA | T: 1 718 257 2800 | F: 1 718 257 2144 | customerservice@watermark-designs.com