

WATERMARK

MADE IN BROOKLYN, NEW YORK

INSTALLATION INSTRUCTION



Shower Door Pull
Model No. GDP-SDP-DDP

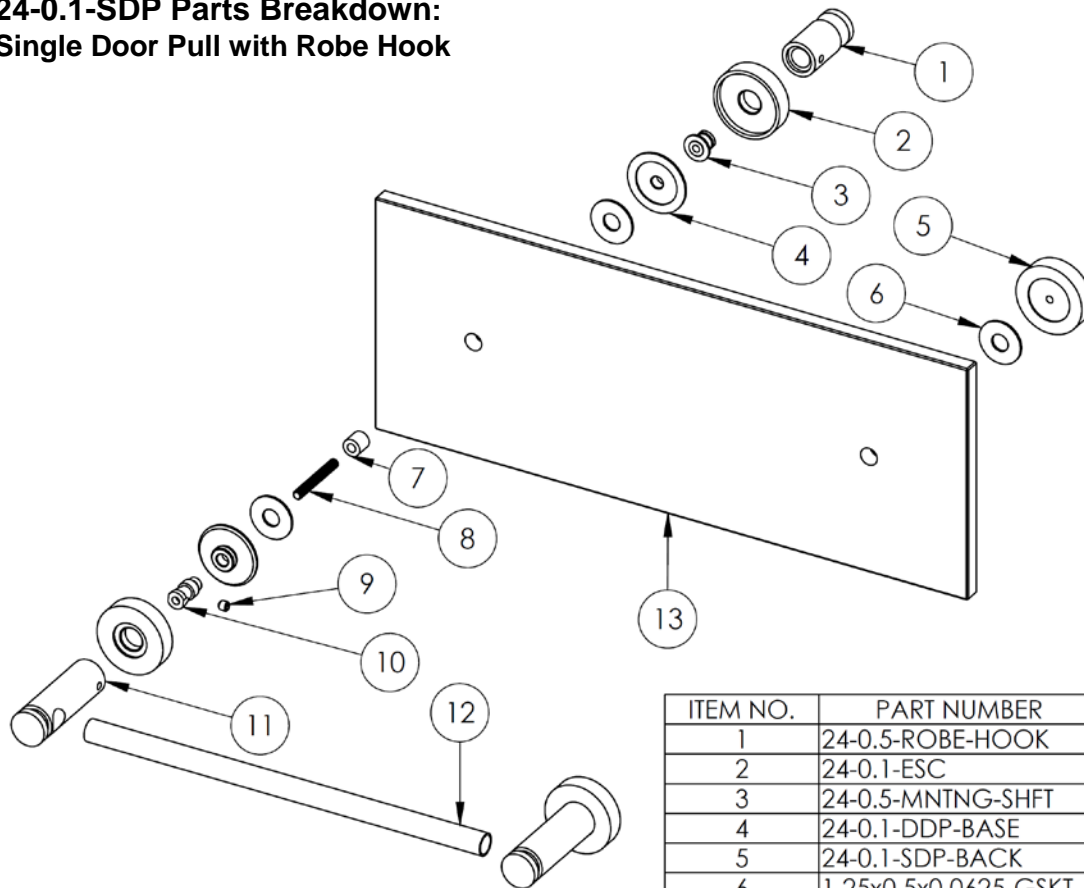


ASME A1 12.18.1
NSF61
CAS B125.1

SAFETY WARNINGS:

- **DO NOT** install this equipment without first reading and understanding this instruction sheet. If you are unable to understand these warnings and Instructions, contact a health care professional, dealer or technical personnel for assistance before attempting to install this equipment - otherwise, injury may occur.
- After ANY adjustments, repair or service and BEFORE use, make sure that all attaching hardware is tightened **securely**.
- Use EXTREME caution on wet tub or floor surfaces.
- Users with limited physical capabilities should be supervised or assisted in bath and commode areas, even when using the door pulls.
- When mounted on glass, bath accessories are NOT designed to support the total weight of an individual. **Use the bar as a door pull ONLY.**
- Be sure bath accessories are correctly and securely installed. NEVER use bath accessories if any looseness is noted.

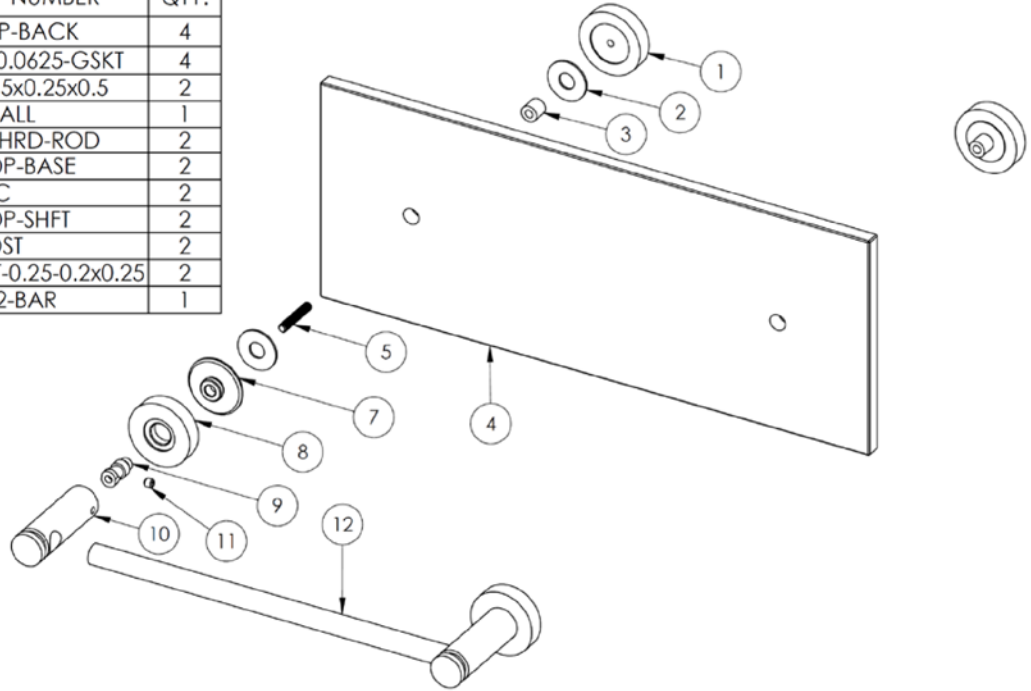
**24-0.1-SDP Parts Breakdown:
Single Door Pull with Robe Hook**



ITEM NO.	PART NUMBER	QTY.
1	24-0.5-ROBE-HOOK	1
2	24-0.1-ESC	3
3	24-0.5-MNTNG-SHFT	1
4	24-0.1-DDP-BASE	3
5	24-0.1-SDP-BACK	1
6	1.25x0.5x0.0625-GSKT	4
7	0.5x0.25x0.5-BSHNG	2
8	0.25-0.20-THRD-ROD	2
9	SSCUPSKT-0.25-0.2x0.25	2
10	24-0.1-DDP-SHFT	2
11	24-0.1-POST	2
12	310-0.1-12-BAR	1
13	GLASS/WALL	1

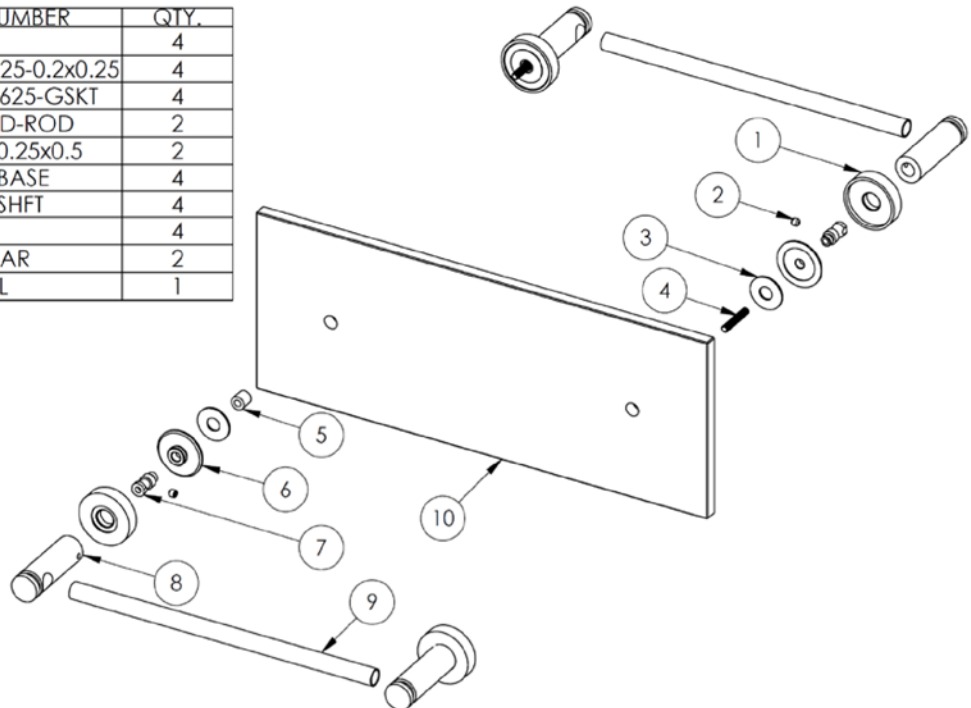
24-0.1-GDP Parts Breakdown: Single Door Pull

ITEM NO.	PART NUMBER	QTY.
1	24-0.1-SDP-BACK	4
2	1.25x0.5x0.0625-GSKT	4
3	BSHNG-0.5x0.25x0.5	2
4	GLASS/WALL	1
5	0.25-0.2-THRD-ROD	2
7	24-0.1-DDP-BASE	2
8	24-0.1-ESC	2
9	24-0.1-DDP-SHFT	2
10	24-0.1-POST	2
11	SSCUPSKT-0.25-0.2x0.25	2
12	310-0.1-12-BAR	1



24-0.1-DDP Parts Breakdown: Double Door Pull

ITEM NO.	PART NUMBER	QTY.
1	24-0.1-ESC	4
2	SSCUPSKT-0.25-0.2x0.25	4
3	1.25x0.5x0.0625-GSKT	4
4	0.25-0.2-THRD-ROD	2
5	BSHNG-0.5x0.25x0.5	2
6	24-0.1-DDP-BASE	4
7	24-0.1-DDP-SHFT	4
8	24-0.1-POST	4
9	310-0.1-12-BAR	2
10	GLASS/WALL	1



IMPORTANT INSTALLATION INFORMATION

- DO NOT USE PLUMBER'S PUTTY ON ANY OF THE BRASS COMPONENTS
This will cause the finish to tarnish and void the warranty. A non-corrosive Alkoxy Silicone is recommended.

For technical support, please call 718-257-2800