

FAUCET SPECIFICATIONS



Pull-Out Spray Kitchen Faucet Model VG02007

MODEL VG02007

FEATURES

- Solid brass construction
- Spiral pull-out spray head
- Spray face that resists mineral build up
- Finish resists corrosion and tarnishing
- Ceramic disk cartridge
- 360 degree swivel spout
- Single hole installation
- Single lever sprayer and pot filler spout

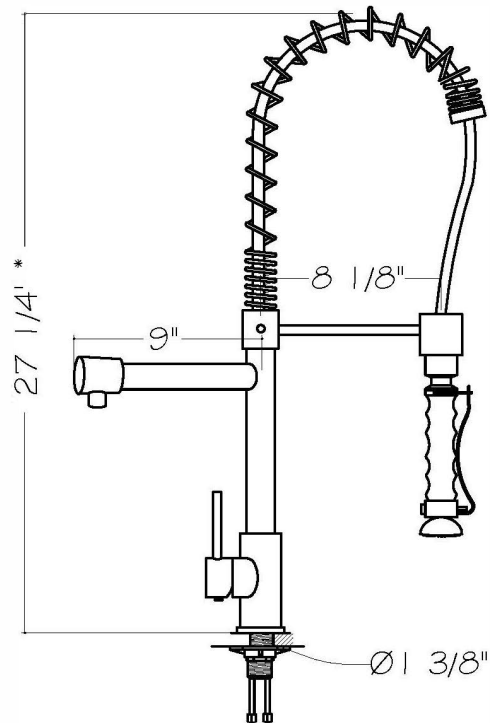
PACKING LIST

- Faucet Assembly
- Sprayer
- Allen Key
- Two Metal Braided Hoses
- Sprayer Hose
- Plastic Holder
- Spiral Neck



DIMENSIONS

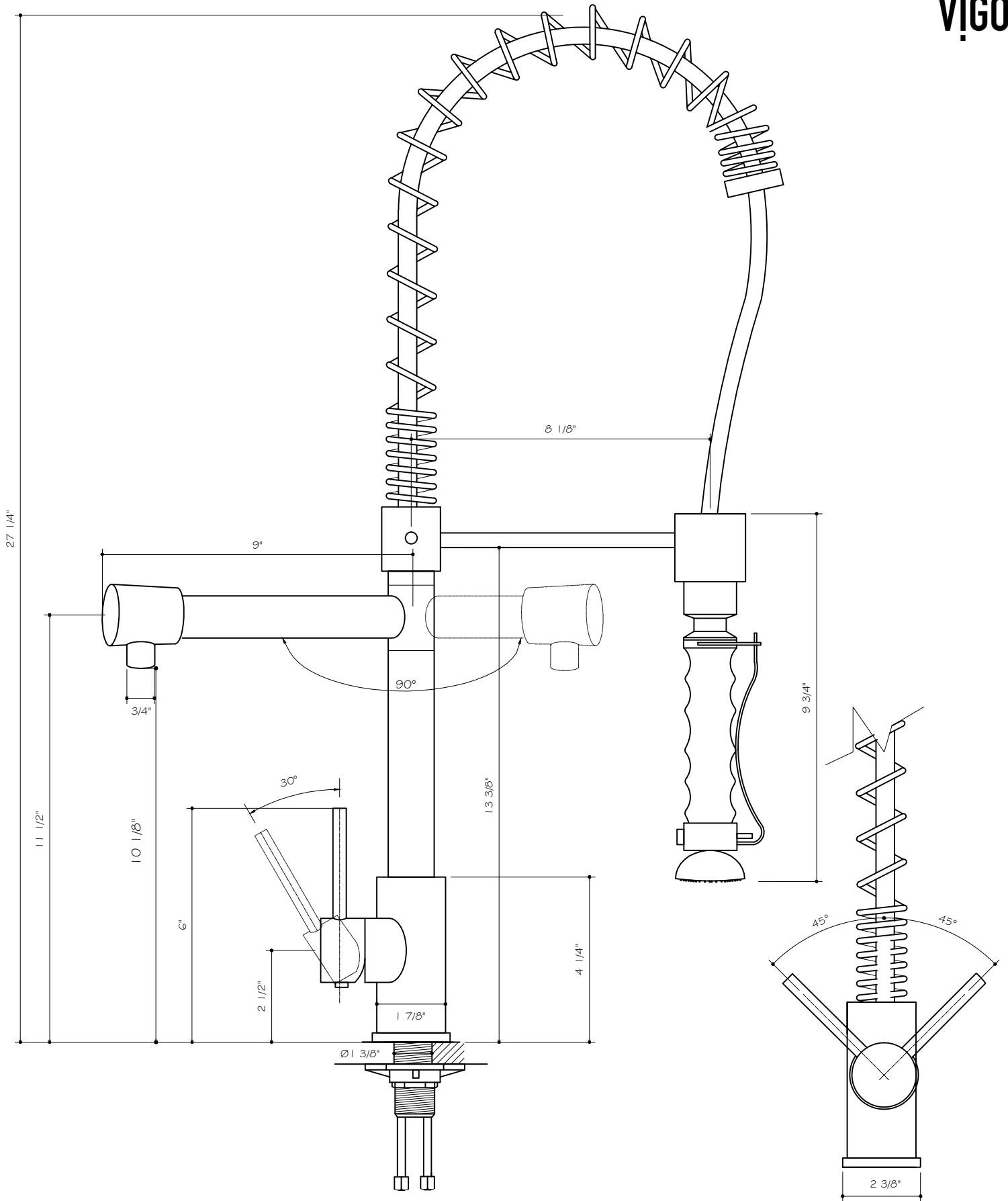
MODEL #	HOLE DIAMETER	FAUCET HEIGHT	SPOUT REACH
VG02007	1 3/8"	27 1/4"	9"



* = +/- 1"



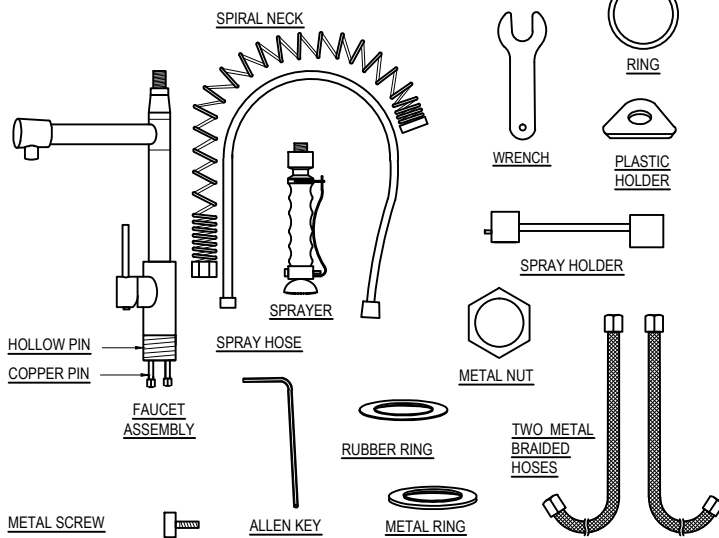
NOTE: All faucets are compliant to CEC 2016 regulations. If you have inquiries about your water flow, please email techmail@vigoindustries.com.



VG02007

THE MEASUREMENTS IN INCHES ARE ROUNDED TO THE NEAREST 3/8"

PACKAGE CONTENT



REQUIRED TOOLS

Adjustable wrench
 Allen key - supplied (to remove cartridge if needed)
 Plumber's putty - optional
 Pipe tape
 Flat screwdrivers

SAFETY TIPS

If you use soldering for the installation of the faucet, the seats, cartridges and washers will have to be removed before using flame. Damage caused by improper soldering will void the warranty.
 Protect your eyes with safety glasses when cutting or soldering water supply lines.

IMPORTANT POINTS

Prior to beginning installation, turn off the cold and hot water lines and open the hot and cold knobs on the old faucet to release pressure.
 When installing your new faucet, turn the connector nuts finger-tight, then use one wrench to anchor the fitting and a second wrench to tighten the nut. Connections that are too tight will reduce the integrity of the system, and potentially cause product failure which could lead to water damage. Wrap all threaded connections with pipe tape available at your local hardware or plumbing supply store. Always wrap in a clockwise direction.
 Not all necessary supplies to install your faucet are included, however, they are available wherever plumbing supplies are sold.
 Prior to installing the faucet please FLUSH THE HOT AND COLD WATER SUPPLY LINES that are or will be connected to the new faucet to remove scale, solder or their impurities which could damage the faucet and potentially void the warranty.
 Do not use the independent volume controls, meaning the pot filler or sprayer, to regulate your on and off. Always turn off the main valve at the handle. Failure to do so can shorten the lifetime expectancy of your VIGO faucet. It can also cause failure to the faucet and potentially cause property damage.

MAINTENANCE

Your new faucet is designed for years of trouble-free performance. Keep it looking new by cleaning it periodically with a soft cloth. Avoid abrasive cleaners, steel wool and harsh chemicals as these will scratch, dull, and/or damage the finish and void the warranty.

INSTALLATION

Installation must be done by a qualified licensed plumber. Prior to installation please read the instructions thoroughly, confirm that all parts are included and visually inspect the unit for any defects. If you have any questions please contact our Technical Support Department before proceeding with installation.

ASSEMBLY

1. SHUT OFF WATER SUPPLY. REMOVE THE OLD FAUCET AND FLEXIBLE HOSES. CLEAN SINK SURFACE WITH A NON ABRASIVE CLEANER IN PREPARATION FOR THE NEW FAUCET.
2. REMOVE METAL NUT, RUBBER RING, AND METAL RING FROM THE FAUCET. ATTACH METAL BRAIDED HOSES TO THE FAUCET.
3. POSITION THE FAUCET IN THE 1 3/8" COUNTERTOP HOLE, FROM BENEATH THE COUNTERTOP HOLE ASSEMBLE THE PLASTIC HOLDER, RUBBER RING, AND METAL RING IN THE ORDER DEPICTED IN THE DIAGRAM. THEN THREAD METAL NUT ONTO HOLLOW PIN. TIGHTEN THE METAL NUT UNTIL FAUCET IS SECURE.

⚠️ ENSURE THAT PARTS ARE ASSEMBLED IN THE ORDER AS DEPICTED IN DIAGRAM TO PREVENT DAMAGE TO FAUCET AND SUPPLY LINES.

4. IF SPRAY HOLDER IS NOT ATTACHED, ATTACH THE SPRAY HOLDER AND SPRAY HOSE TO THE FAUCET AND TIGHTEN SCREW UNTIL SPRAY HOLDER IS SECURE.

5. FEED SPRAY HOSE THROUGH SPIRAL NECK ENSURING THE FEMALE SPRAYER CONNECTION IS POSITIONED TOWARD TOP OF SPIRAL NECK. ATTACH MALE SPRAYER CONNECTION TO TOP OF FAUCET BODY WITH ADJUSTABLE WRENCH UNTIL TIGHT. SEAT SPIRAL NECK INTO SPRAY HOLDER AND FIRMLY PRESS DOWN UNTIL SECURE.

⚠️ VISUALLY INSPECT MALE AND FEMALE SPRAYER HOSE CONNECTIONS AND FAUCET BODY TO ENSURE THE WASHERS AND FLOW RESTRICTORS ARE PRESENT. MISSING OR DAMAGED WASHERS AND FLOW RESTRICTORS COULD CAUSE PERSONAL INJURY OR WATER DAMAGE.

6. ATTACH SPRAYER TO FEMALE CONNECTION OF SPRAYER HOSE BY HAND AND TIGHTEN UNTIL SECURE.

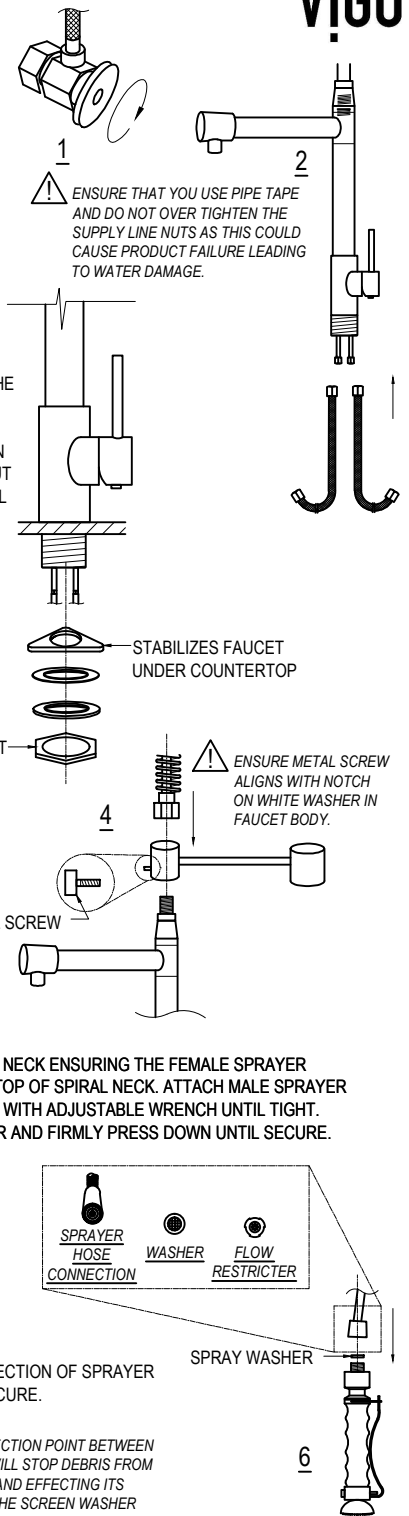
⚠️ USE WASHER WITH SCREEN AT CONNECTION POINT BETWEEN SPRAYER AND SPRAYER HOSE. THIS WILL STOP DEBRIS FROM TRAVELING INTO THE SPRAYER HEAD AND EFFECTING ITS FUNCTIONALITY. PLEASE NOTE THAT THE SCREEN WASHER WILL NEED TO BE REMOVED AND CLEANED APPROXIMATELY ONCE EVERY 3 MONTHS TO AVOID BUILD UP, AND LOW WATER FLOW.

7. ATTACH THE FEMALE CONNECTIONS OF THE METAL BRAIDED HOSES TO THE COLD AND HOT WATER SUPPLY.

⚠️ ENSURE THAT YOU USE PIPE TAPE AND ADJUSTABLE WRENCH, DO NOT OVER TIGHTEN AS THIS COULD CAUSE PRODUCT FAILURE LEADING TO WATER DAMAGE.

8. AFTER INSTALLATION IS COMPLETE, TURN ON THE WATER SUPPLY AND ALLOW BOTH HOT AND COLD WATER TO RUN SEPARATELY FOR AT LEAST TWO MINUTES EACH. WHILE WATER IS RUNNING, CHECK FOR LEAKS. IT IS IMPORTANT TO VIEW THE CONNECTIONS AT THE MALE AND FEMALE FLEXIBLE HOSE CONNECTIONS. IF LEAKS ARE DETECTED, REFER BACK TO THE INSTRUCTIONS AND ADJUST ACCORDINGLY. TIGHTENING NUTS SLIGHTLY MAY STOP ANY MINOR LEAKS.

VIGO



TROUBLESHOOTING

PROBLEM	POTENTIAL CAUSE	CORRECTIVE ACTION
1 - Leaks from Handle	1.A - Cartridge unseated	1.A - Remove cartridge from housing, wash thoroughly with hot water and reseal in housing. 1.B - Contact VIGO Technical Support for replacement.
2 - Insufficient Flow Rate	1.B - Cartridge defective	
3 - Leak at Connection Points	2 - Clog in supply hose / line	2 - Remove sprayer or supply line and flush lines
4 - Loose Spiral Neck		
5 - Loose Faucet Body	3.A - Sprayer hose not tight	3.A - Remove spiral neck by loosening the metal screw and pulling up on the spiral neck exposing the spray hose. Make sure the washer is seated properly and retighten with an adjustable wrench. 3.B - Tighten hoses. If this does not resolve the issue, remove the flexible hose and rethread, checking to make sure the connection is secure. Make sure to use pipe tape. 4 - Loosen metal screw, lift off the spiral neck and reseal making sure to thread the metal screw into the white washer housing. 5 - From under the counter, use an adjustable wrench and tighten the metal nut to the hollow pipe. Make sure the faucet is perpendicular to the counter.
	3.B - Flexible hose leaking at body or connection point	
	4 - Metal screw is not locked into internal white washer hole location	
	5 - Metal nut became loose	

PARTS LIST - For any parts needed but not shown, please contact Vigo Technical Support

PART	PART #	SUPPLY DATE INDICATOR (INTERNAL USE ONLY)
Sprayer	78021	W
Spray hose	74017	W
Pot Filler Handle	78064A	W
Pot Filler Handle Lever	78064B	W
Pot Filler Set Screw	78064C	W
Pot Filler Cartridge	78065	W
Handle Lever	78027A	W
Handle Set Screw	78027B	W
Handle	78027C	W
Sedal Cartridge	74040	W
Metal Braided hose	74020	W
Sprayer Washer	74008	W
Diverter Cartridge	78066	W
Black Washer with Screen	74010	W

TOLL FREE: (866) 591 - 7792

E-Mail: techmail@vigoindustries.com

www.vigoindustries.com

VIGO

VIGO INDUSTRIES, LLC ("VIGO") FAUCET LIMITED LIFETIME WARRANTY



EFFECTIVE APRIL 1, 2013

VIGO offers the following limited warranty on each of its Faucet products (the "Product") and the components thereof. This warranty extends only to the original owner for personal household use. For commercial uses, additional limitations apply.

VIGO warrants the structure of the Product to be free from defects in workmanship and materials under normal use and service for the period commencing from the initial date of purchase by the owner, contractor, or builder, from VIGO or an authorized VIGO dealer, through the lifetime of the original owner or end-user.

VIGO warrants the cartridge component of the Product to be free from defects in workmanship and materials under normal use and service for a period of five (5) years from the initial date of purchase by the owner, contractor, or builder, from VIGO or an authorized VIGO dealer.

VIGO warrants the diverter component and/or pot filler components of the product to be free from defects in workmanship and materials under normal use and service for a period of two (2) years from the initial date of purchase by the owner or end-user, contractor, or builder from VIGO or an authorized VIGO dealer.

Subject to the Warranty Service provision below, any product reported to the authorized dealer or to VIGO as being defective within the warranty period will be repaired or replaced (with a product of equal value) at the option of VIGO. This warranty extends to the original owner and is not transferable to a subsequent owner.

Neither the distributor, authorized VIGO dealer, nor any other person has been authorized to make any affirmation, representation, or warranty other than those contained in this warranty. Any affirmation, representation, or warranty other than those contained in this warranty shall not be enforceable against VIGO or any other person.

VIGO reserves the right to modify this warranty at any time, it being understood that such modifications will not alter the warranty conditions applicable at the time of sale of the products in question.

Limitations

This warranty shall not apply to instances of incorrect operating procedures, breakages, or damages caused by fault through improper installation, carelessness, abuse, misuse, misapplication, improper maintenance, or alteration of the Product, as well as chemical or natural corrosion, accident, fire, flood, an act of God, or any other casualty. Avoid abrasive cleaners, steel wools, and harsh chemicals as these will scratch, damage, and / or dull the product and / or finish and void this warranty. The owner of the Product covered by the present warranty is entirely responsible for its proper installation and any applicable plumbing or electrical wiring. VIGO neither installs nor supervises the installation nor hires a contractor for this purpose; consequently, VIGO cannot be held responsible for any default, breakage, or damages caused thereby or resulting thereof, either directly or indirectly.

The owner must provide access to the components of the Product as described in the installation guide so that VIGO can execute the warranty specified herein. If such access is not available, all expenses to provide said access will be the responsibility of the owner.

This warranty does not apply to Products that have not been installed or operated in accordance with instructions supplied by VIGO and all applicable rules, regulations, and legislation pertaining to such installations.

This warranty does not apply unless the VIGO Product is installed by fully insured licensed professionals. Vigo strongly recommends that such licensed professionals have experience in the installation of bathroom and kitchen products. [Installation of certain products, including without limitation glass products (i.e., shower doors and glass sinks) by an inexperienced person may result in product failure including, but not limited to, glass breakage which could result in personal injury or death.]

VIGO is not liable for personal injuries or deaths to any persons or for any direct, special, incidental, or consequential damage, loss of time, loss of profits, inconvenience, incidental expenses, labor or material charges, or any other costs resulting from the use of the product or equipment or pertaining to the application of the present warranty, or resulting from the removal or replacement of any product or element or part covered by this warranty.

EXCEPT AS OTHERWISE PROVIDED ABOVE, VIGO MAKES NO WARRANTIES, EXPRESSED OR IMPLIED, INCLUDING WARRANTIES OF MERCHANTABILITY AND FITNESS FOR A PARTICULAR PURPOSE OR COMPLIANCE WITH ANY CODE.

In any case, VIGO cannot be held liable for any amount over and above the purchase price paid for the Product by the owner/end-user, contractor, or builder.

Commercial Limitations

In addition to the above conditions and limitations, the warranty period for products installed for commercial applications or used in commercial ventures is one (1) year from the initial date of purchase by the owner, contractor, or builder from an authorized dealer. VIGO is not responsible for loss of use or profit under any circumstances. If the product is used as a display, the warranty period begins from the date of purchase. This warranty gives the owner specific legal rights. The owner may also have other rights which can vary from one state or province to another.

Warranty Service

In order to obtain service provided under this warranty during regular business hours, contact the dealer or distributor who sold the unit, or contact VIGO directly. VIGO will provide the warranty service described above when the following conditions have been met: the failure is of the nature or type covered by the warranty; the user has informed an authorized VIGO Agent or VIGO's warranty service department representative of the nature of the problem during the warranty period; conclusive evidence (e.g., proof of purchase or installation) is provided to the foregoing by the user proving that the failure occurred or was discovered within the warranty period; an authorized independent service person or company representative has been permitted to inspect the product during regular business hours within a reasonable time after the problem was reported by the user. Vigo's warranty obligation shall be discharged upon tender of replacement or repair. The customer's refusal to accept the tender terminates VIGO's warranty obligations.

Certification may be ended by VIGO or certification agencies without notice.

ESPECIFICACIONES DEL GRIFO

VIGO

Grifo de cocina con rociador extensible
Modelo VG02007

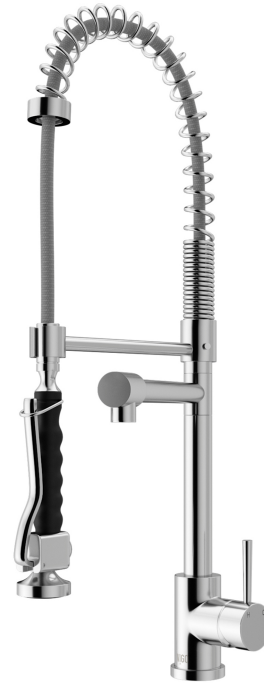
MODELO VG02007

CARACTERÍSTICAS

- Diseño en metal sólido
- Cabezal del rociador desplegable en espiral
- Superficie del rociador resistente a la acumulación de minerales
- Acabado resistente a la corrosión y el deslustrado
- Cartucho de disco cerámico
- Pico con giro de 360°
- Diseño de un solo orificio
- Rociador monocomando articulado

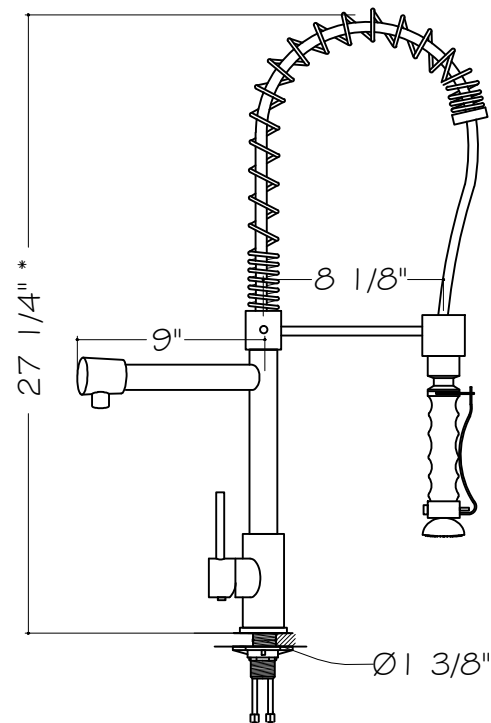
LISTA DE CONTENIDO

- Conjunto del grifo
- Rociador
- Llave Allen
- Dos mangueras metálicas trenzadas
- Manguera del rociador
- Soporte plástico
- Cuello en espiral



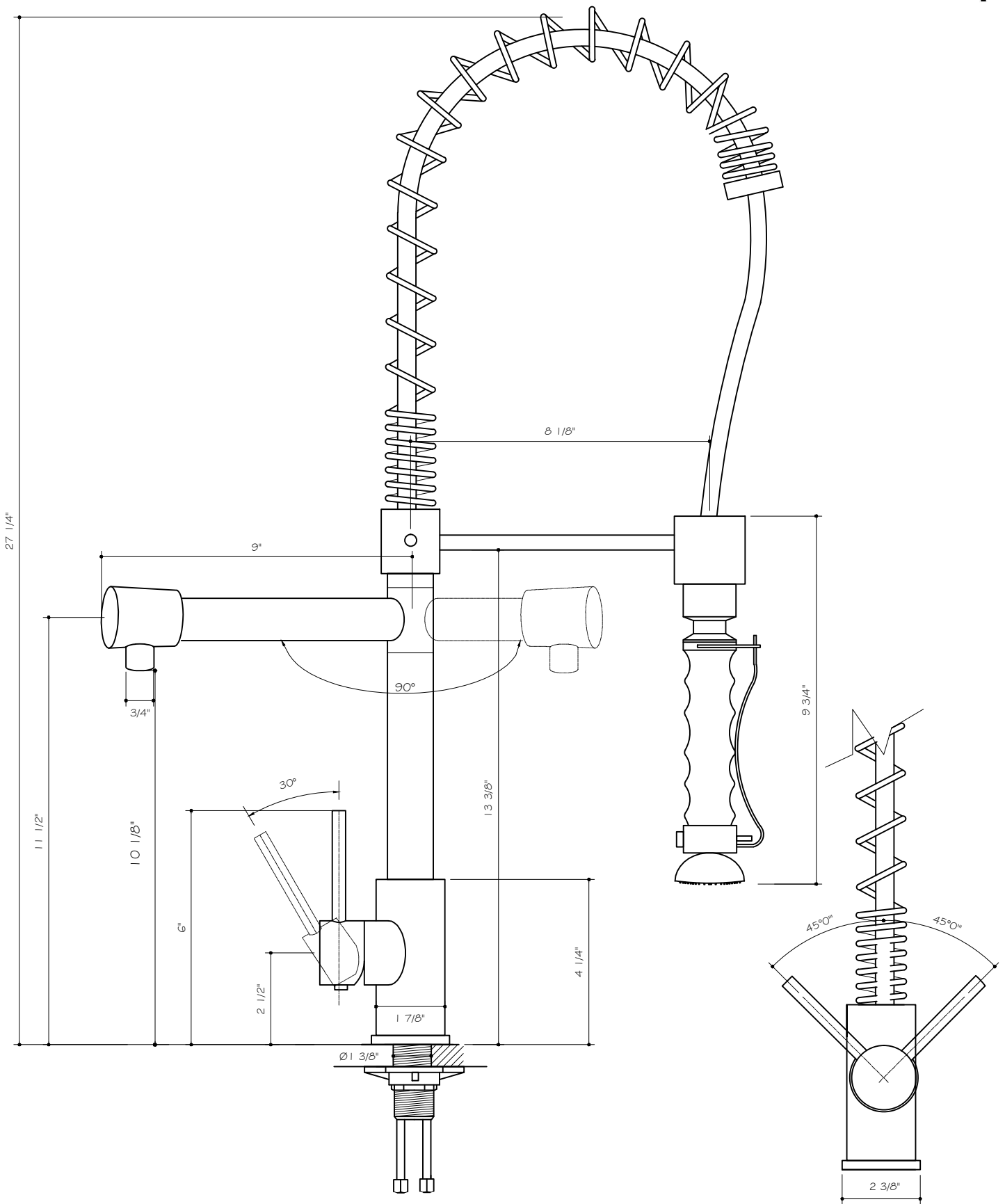
DIMENSIONES

MODELO #	DIÁM ORIFICIO	ALTURA GRIFO	ALCANCE PICO
VG02007	1 3/8"	27 1/4"	9"



NOTA: Todos los grifos cumplen con CEC 2016 regulaciones. Si usted tiene preguntas acerca de su flujo de agua, por favor escriba techmail@vigoindustries.com.

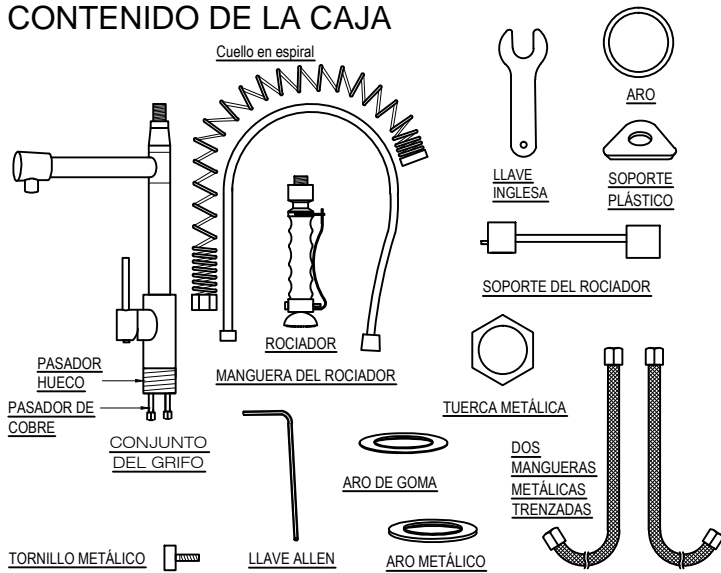
* = +/- 1"



VG02007

LAS MEDIDAS EN PULGADAS SE REDONDEAN A 3/8" MÁS PRÓXIMO

CONTENIDO DE LA CAJA



HERRAMIENTAS NECESARIAS

Llave de ajuste
Llave Allen (se suministra) para retirar el cartucho, si fuera necesario
Masilla para plomería - opcional
Cinta para tuberías
Destornilladores planos

CONSEJOS DE SEGURIDAD

Si instala el grifo mediante soldadura, los asientos, los cartuchos y las arandelas deberán ser removidos antes de utilizar la llama. Los daños producidos por una soldadura inadecuada anularán la garantía.
Al contar o soldar líneas de suministro de agua, protéjase los ojos con gafas de seguridad.

PUNTOS IMPORTANTES

Antes de comenzar la instalación, cierre las líneas de agua fría y caliente y abra las llaves fría y caliente del grifo viejo para liberar la presión.
Al instalar el grifo nuevo, coloque las tuercas de unión a mano y luego utilice una llave para sujetar el accesorio y una segunda llave para apretar la tuerca.
Las conexiones demasiado apretadas reducirán la integridad del sistema y es posible que causen defectos en el producto que pueden derivar en daños por el agua.
Envuelva todas las conexiones roscadas con cinta para tuberías, que puede encontrar en una ferretería o una tienda de artículos de plomería. Siempre envuelva en sentido horario.
Si bien no se incluyen todos los elementos necesarios para instalar el grifo, estos pueden adquirirse en tiendas que comercializan suministros de plomería.
Antes de instalar el grifo, ENJUAGUE LAS LÍNEAS DE SUMINISTRO DE AGUA FRÍA Y CALIENTE que están o serán conectadas al grifo nuevo a fin de remover el sarro, la soldadura y las impurezas que podrían dañar el grifo y anular la garantía.
No utilice los controles de volumen independientes para regular el encendido y apagado. Siempre cierre la válvula principal. Si no lo hace puede acortar la esperanza de vida de su grifo de Vigo. También puede causar la falta de la llave de agua y causar daños a la propiedad.

MANTENIMIENTO

Este grifo está diseñado para brindar años de funcionamiento sin problemas. Para mantenerlo como nuevo, límpielo periódicamente con un paño suave. Evite los limpiadores abrasivos, la lana de acero y los productos químicos agresivos ya que rayarán, opacarán o dañarán el acabado o anularán esta garantía.

INSTALACIÓN

La instalación debe ser realizada por un plomero autorizado cualificado.

Antes de la instalación, lea las instrucciones detenidamente, verifique que estén incluidas todas las piezas e inspeccione visualmente la unidad a fin de descartar defectos.

Si tiene dudas, comuníquese con el Departamento de Asistencia Técnica de Vigo antes de proceder con la instalación.

MONTAJE

1. CIERRE EL SUMINISTRO DE AGUA. RETIRE EL GRIFO VIEJO Y LAS MANGUERAS FLEXIBLES. LIMPIE LA SUPERFICIE DEL LAVABO CON UN LIMPIADOR NO ABRASIVO PARA COLOCAR EL GRIFO NUEVO.

2. RETIRE LA TUERCA METÁLICA, EL ARO PLÁSTICO Y EL ARO METÁLICO DEL GRIFO. ACOPLE LAS MANGUERAS METÁLICAS TRENZADAS AL GRIFO.

3. COLOQUE EL GRIFO EN EL ORIFICIO DE LA MESA DE 1 3/8". POR DETRÁS DEL ORIFICIO DE LA MESA, ENSAMBLE EL SUJETADOR PLÁSTICO, EL ARO PLÁSTICO Y EL ARO METÁLICO EN EL ORDEN QUE INDICA EL DIAGRAMA. LUEGO, ENROSQUE LA TUERCA METÁLICA EN EL PASADOR HUECO. AJUSTE LA TUERCA METÁLICA HASTA ASEGURAR EL GRIFO.

ENSAMBLE LAS PIEZAS EN EL ORDEN QUE INDICA EL DIAGRAMA A FIN DE EVITAR DAÑOS EN EL GRIFO Y LAS LÍNEAS DE SUMINISTRO.

4. SI EL SOPORTE DEL ROCIADOR NO ESTÁ ACOPLADO, ACOUPLE EL SOPORTE DEL ROCIADOR Y LA MANGUERA DEL ROCIADOR AL GRIFO Y AJUSTE EL TORNILLO HASTA ASEGURAR EL SOPORTE DEL ROCIADOR.

5. COLOQUE LA MANGUERA DEL ROCIADOR A TRAVÉS DEL CUELLO EN ESPIRAL. LA CONEXIÓN HEMBRA DEL ROCIADOR DEBE ESTAR COLOCADA HACIA LA PARTE SUPERIOR DEL CUELLO EN ESPIRAL. ACOUPLE LA CONEXIÓN MACHO DEL ROCIADOR EN LA PARTE SUPERIOR DEL CUERPO DEL GRIFO Y AJUSTE CON UNA LLAVE DE AJUSTE. ASIENTE EL CUELLO EN ESPIRAL EN EL SOPORTE DEL ROCIADOR Y PRESIONE FIRMEMENTE HACIA ABAJO HASTA QUE QUEDE ESTABLE.

INSPECCIONE VISUALMENTE LAS CONEXIONES MACHO Y HEMBRA DEL ROCIADOR Y EL CUERPO DEL GRIFO Y VERIFIQUE QUE LAS ARANDELAS Y LOS LIMITADORES DE FLUJO ESTÉN COLOCADOS. LAS ARANDELAS Y LOS LIMITADORES DE FLUJO FALTANTES O DAÑADOS PODRÍAN CAUSAR LESIONES PERSONALES O DAÑOS POR EL AGUA.

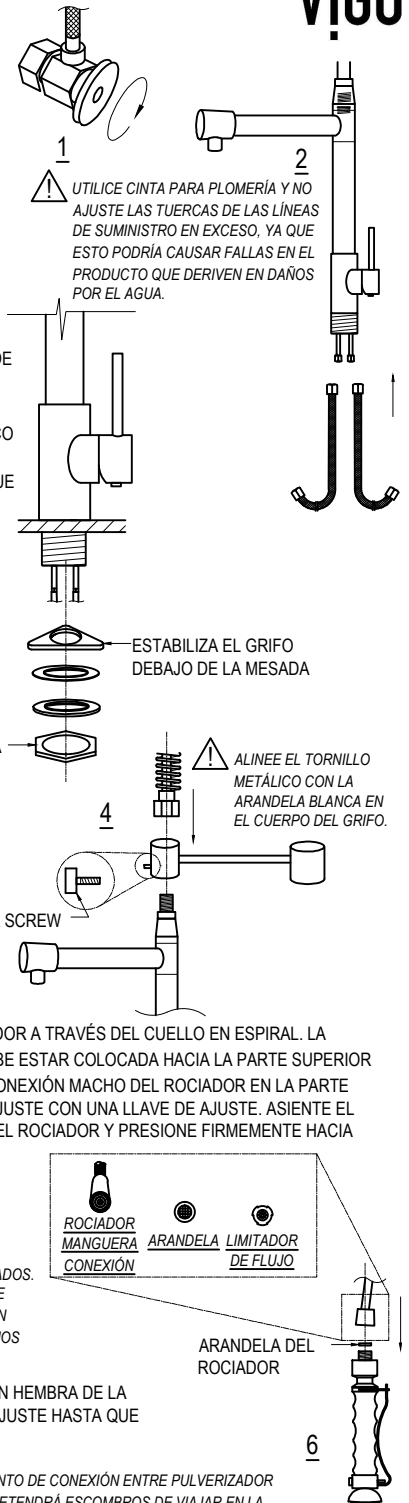
6. ACOUPLE EL ROCIADOR A LA CONEXIÓN HEMBRA DE LA MANGUERA DEL ROCIADOR A MANO Y AJUSTE HASTA QUE QUEDE FIRME.

USO LAVADORA CON PANTALLA EN PUNTO DE CONEXIÓN ENTRE PULVERIZADOR Y MANGUERA PULVERIZADOR. ESTO DETENDRÁ ESCOMBROS DE VIAJAR EN LA CABEZA PULVERIZADOR Y EFECTUANDO SU FUNCIONALIDAD. TENGA EN CUENTA QUE LA LAVADORA PANTALLA TENDRÁ QUE SER RETIRADO Y LIMPIADO APROXIMADAMENTE UNA VEZ CADA 3 MESES PARA EVITAR LA ACUMULACIÓN Y FLUJO DE AGUA BAJO.

7. ACOUPLE LAS CONEXIONES HEMBRA DE LAS MANGUERAS METÁLICAS TRENZADAS AL SUMINISTRO DE AGUA FRÍA Y CALIENTE.

8. UNA VEZ FINALIZADA LA INSTALACIÓN, ABRA EL SUMINISTRO DE AGUA Y DEJE CORRER EL AGUA FRÍA Y CALIENTE POR SEPARADO DURANTE AL MENOS DOS MINUTOS CADA UNA. MIENTRAS CORRE EL AGUA, VERIFIQUE SI HAY FUGAS. ES IMPORTANTE REVISAR LAS UNIONES EN LAS CONEXIONES MACHO Y HEMBRA DE LAS MANGUERAS FLEXIBLES. EN CASO DE DETECTAR FUGAS, CONSULTE NUEVAMENTE LAS INSTRUCCIONES Y AJUSTE SEGÚN SEA NECESARIO. LAS FUGAS LEVES PUEDEN REPARARSE AJUSTANDO LAS TUERCAS LEVEMENTE.

VIGO



SOLUCIÓN DE PROBLEMAS

PROBLEMA	POSIBLE CAUSA	ACCIÓN CORRECTIVA
1 - Fugas en la palanca	1.A - El cartucho no está asentado	1.A - Retire el cartucho de la carcasa, lave completamente con agua caliente y vuelva a colocar en la carcasa. 1.B - Comuníquese con el Departamento de Asistencia Técnica de Vigo para el reemplazo
2 - Caudal insuficiente	1.B - El cartucho es defectuoso	
3 - Fuga en puntos de unión	2- Obstrucción en la manguera o línea de suministro	2 - Retire el rociador o la línea de suministro y enjuague las líneas
4 - Cuello en espiral flojo		
5 - Grifo flojo	3.A - La manguera del rociador no está ajustada	3.A - Retire el cuello en espiral aflojando el tornillo metálico y levante el cuello en espiral hasta dejar expuesta la manguera del rociador. Verifique que la arandela esté asentada correctamente y vuelva a ajustar con una llave de ajuste. 3.B - Ajuste las mangueras. Si el problema persiste, retire la manguera flexible y vuelva a enroscar. Verifique que la conexión sea segura. Utilice cinta para tuberías. 4 - Afloje el tornillo metálico, despegue el cuello en espiral y vuelva a asentar enroscando el tornillo metálico en el alojamiento de la arandela blanca. 5 - Por debajo de la mesada, utilice una llave de ajuste y ajuste la tuerca metálica al tubo hueco. Asegúrese de que el grifo esté perpendicular a la mesada.
	3.B - Fuga en la manguera flexible o en un punto de unión	
	4 - El tornillo metálico no está colocado en el orificio de la arandela interna blanca	
	5 - La tuerca metálica está floja	

LISTA DE PIEZAS - Para obtener información sobre las piezas necesarias que no se ilustran, comuníquese con el Departamento de Asistencia Técnica de Vigo

PIEZA	PIEZA #	INDICADOR DE FECHA (SOLO PARA USO INTERNO)
Rociador	78021	W
Rociador	78021	W
Manguera del rociador	74017	W
Palanca de la articulación	78064A	W
Palanca de la articulación	78064A	W
Palanca de la articulación	78064B	W
Palanca de la articulación	78064B	W
Tornillo de fijación de la articulación	78064C	W
Tornillo de fijación de la articulación	78064C	W
Cartucho de Relleno de Olla	78065	W
Palanca	78027A	W
Palanca	78027A	W
Tornillo de fijación de la palanca	78027B	W
Tornillo de fijación de la palanca	78027B	W
Palanca	78027C	W
Palanca	78027C	W
Cartucho Sedal	74040	W
Manguera metálica trenzada	74020	W
Lavadora Pulverizador	74008	W
Cartucho Desviador	78066	W
Lavadora Negro con Pantalla	74010	W

NÚMERO GRATUITO: (866) 591 - 7792

Correo electrónico: techmail@vigoindustries.com

www.vigoindustries.com

VIGO

JA PARTIR DEL 1 DE ABRIL DE 2013

VIGO ofrece la siguiente garantía limitada para cada uno de sus grifos (el "Producto") y sus componentes. Esta garantía se otorga únicamente al comprador original para uso personal y doméstico. Para uso comercial, se aplican otras limitaciones.

VIGO garantiza que la estructura del producto está libre de defectos de fabricación y materiales en condiciones de uso y servicio normales para el período que comienza a partir de la fecha inicial de compra por parte del propietario, contratista o constructor a VIGO o a un distribuidor autorizado de VIGO, de por vida para el propietario original o usuario final.

VIGO garantiza que el componente del cartucho del producto está libre de defectos de fabricación y materiales en condiciones de uso y servicio normales por un período de cinco (5) años a partir de la fecha inicial de compra por parte del propietario, contratista o constructor a VIGO o a un distribuidor autorizado de VIGO.

VIGO garantiza que el conjunto del rociador y demás componentes mecánicos del producto están libres de defectos de fabricación y materiales en condiciones de uso y servicio normales por un período de un (1) año a partir de la fecha inicial de compra por parte del propietario, contratista o constructor, a VIGO o a un distribuidor autorizado de VIGO.

Conforme a la prestación del servicio de garantía que se presenta más abajo, todo producto informado como defectuoso al distribuidor autorizado o a VIGO dentro del período de garantía será reparado o reemplazado (con un producto de igual valor) a elección de VIGO. Esta garantía se otorga al comprador original y no es transferible al siguiente propietario.

Ni el distribuidor, el vendedor autorizado de VIGO ni ninguna otra persona están autorizados para ofrecer una declaración, representación o garantía distinta de las contenidas en esta garantía. Toda declaración, representación o garantía distinta de las contenidas en esta garantía no será aplicable contra VIGO ni contra otra persona.

VIGO se reserva el derecho de modificar esta garantía en cualquier momento, entendiéndose que tales modificaciones no alterarán las condiciones de garantía correspondientes al momento de la venta de los productos en cuestión.

Limitaciones

Esta garantía no se aplicará en casos de procedimientos de funcionamiento incorrectos, roturas o daños causados por fallas por una instalación incorrecta, negligencia, abuso, uso indebido, aplicación incorrecta, mantenimiento inadecuado o alteración del producto, así como la corrosión química o natural, accidente, incendio, inundación, caso fortuito o cualquier otro siniestro. Evite los limpiadores abrasivos, la lana de acero y los productos químicos agresivos ya que rayarán, dañarán u opacarán el acabado o anularán esta garantía. El propietario del producto cubierto por la presente garantía es totalmente responsable de la correcta instalación y de los trabajos de plomería o cableado eléctrico correspondientes. VIGO no instala ni supervisa la instalación ni contrata el contratista para este fin; en consecuencia, VIGO no se responsabiliza de los defectos, roturas o daños causados o derivados de esta, ya sea directa o indirectamente.

El propietario deberá suministrar acceso a los componentes del producto según se describe en la guía de instalación a fin de que VIGO pueda cumplir con la garantía especificada aquí. Si tal acceso no estuviera disponible, todos los gastos para proveer dicho acceso serán responsabilidad del propietario.

Esta garantía no se aplica a productos que no hayan sido instalados o utilizados de acuerdo con las instrucciones suministradas por VIGO y todas las normas, reglamentos y leyes correspondientes a este tipo de instalaciones.

Esta garantía no se aplica a menos que el producto VIGO sea instalado por profesionales autorizados debidamente asegurados. VIGO recomienda enfáticamente que tales profesionales autorizados cuenten con experiencia en la instalación de productos de baño y cocina. [La instalación de ciertos productos, incluidos, entre otros, los productos de vidrio (por ejemplo, puertas de duchas y lavabos de cristal) por parte de una persona sin experiencia puede resultar en defectos del producto, incluidos, entre otros, la rotura de cristales, que podrían ocasionar lesiones personales o la muerte.]

VIGO no es responsable de las lesiones personales o muertes de personas ni de ningún daño directo, especial, incidental o consecuente, pérdida de tiempo, pérdida de ganancias, inconvenientes, gastos adicionales, gastos de mano de obra o de materiales ni de cualquier otro costo causado por el uso del producto o equipo o en relación con la aplicación de la presente garantía, o como resultado de la extracción o sustitución de un producto o elemento o pieza cubierta en esta garantía.

SALVO QUE SE INDIQUE LO CONTRARIO, VIGO NO OFRECE NINGUNA GARANTÍA, EXPRESA O IMPLÍCITA, INCLUIDAS LAS GARANTÍAS DE COMERCIALIZACIÓN Y ADECUACIÓN PARA UN PROPÓSITO EN PARTICULAR O DE CONFORMIDAD CON NINGÚN CÓDIGO

En ningún caso, VIGO será responsable de toda cantidad por encima del precio de compra pagado por el producto por parte del propietario, usuario final, contratista o constructor.

Limitaciones comerciales

Además de las condiciones y limitaciones antes mencionadas, el período de garantía de los productos instalados en aplicaciones comerciales o utilizados con fines comerciales es de un (1) año a partir de la fecha de compra por parte del propietario, contratista o constructor a un distribuidor autorizado. VIGO no es responsable de la pérdida del uso o de ganancias bajo ninguna circunstancia. Si el producto se utilizara para exposición, el período de garantía comenzará desde la fecha de compra. Esta garantía proporciona al propietario derechos legales específicos. Es posible que el propietario tenga otros derechos que pueden variar de un estado o provincia a otra.

Servicio de garantía

A fin de obtener el servicio previsto por esta garantía durante el horario de oficina habitual, póngase en contacto con el distribuidor que le vendió la unidad o comuníquese directamente con VIGO. VIGO proporcionará el servicio de garantía descrito anteriormente cuando se cumplan las siguientes condiciones: la falla es de naturaleza o tipo cubierto en la garantía; el usuario ha informado a un agente autorizado de VIGO o a un representante del departamento de servicio de garantía de VIGO de la naturaleza del problema durante el período de garantía; la evidencia concluyente (por ejemplo, la prueba de compra o instalación) es siempre precedente por parte del usuario de que la falla ocurrió o se descubrió dentro del período de garantía; un técnico autorizado independiente o un representante de la compañía ha sido autorizado para inspeccionar el producto durante el horario de oficina habitual dentro de un tiempo razonable después de que el usuario ha informado el problema. La obligación de garantía de VIGO se cumplirá en el momento de reemplazo o reparación. La negativa del cliente a aceptar la oferta revoca las obligaciones de garantía de VIGO.

La certificación podrá ser revocada por VIGO o los organismos de certificación sin previo aviso.

ROBINET SPÉCIFICATIONS

VIGO

Robinet de cuisine à vaporisateur escamotable
Modèle VG02007

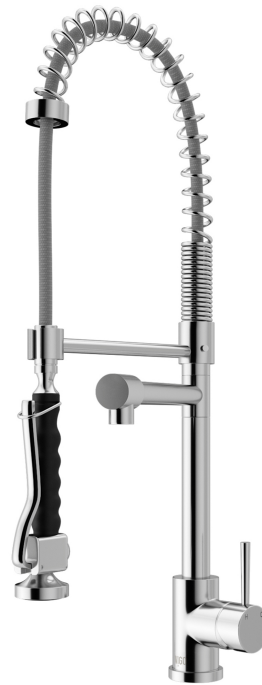
MODÈLE VG02007

CARACTÉRISTIQUES

- Fabriqué en laiton massif
- Tête de vaporisateur spirale abaissable
- Face de vaporisateur qui résiste à l'accumulation de minéraux
- Finition qui résiste à la corrosion et au ternissement
- Cartouche à disque de céramique
- Bec pivotant 360°
- Construction mono-trou
- Vaporisateur levier simple et remplisseur

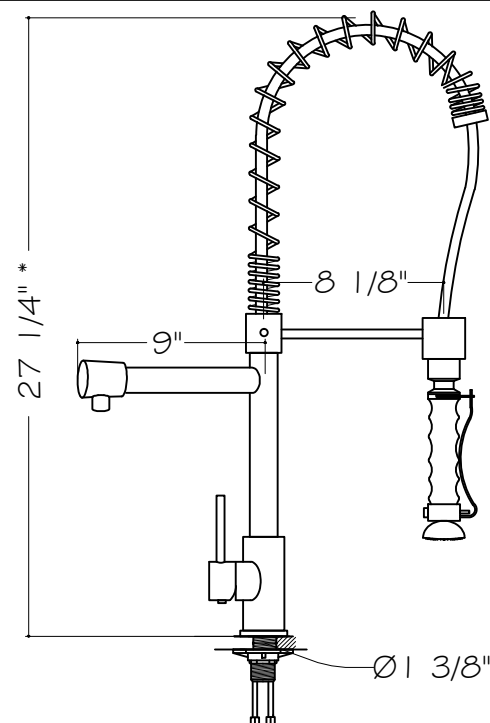
LISTE D'EMBALLAGE

- Ensemble Robinet
- Vaporisateur
- Clé Allen
- Deux tuyaux en métal tressé
- Tuyau du vaporisateur
- Support en plastique
- Cou à spirales



DIMENSIONS

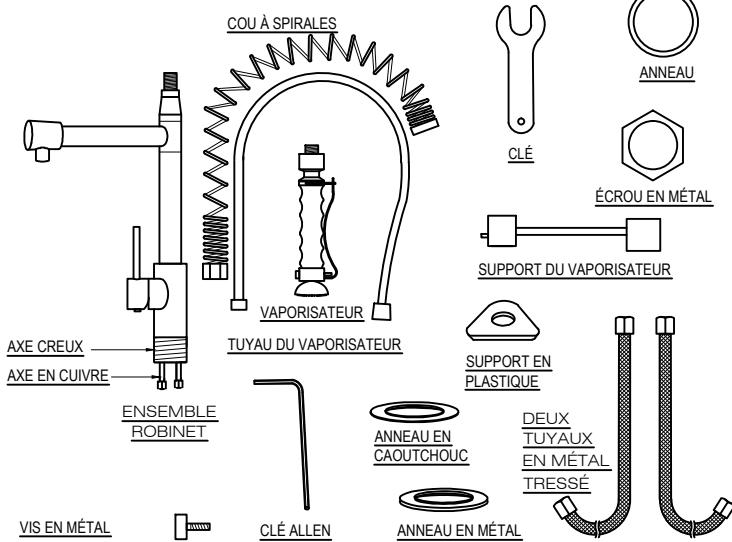
MODÈLE #	TROU DIAMÈTRE	ROBINET HAUTEUR	BEC PORTÉE
VG02007	1 3/8"	27 1/4"	9"



REMARQUE: Tous les robinets sont conformes aux règlements de la CEC de 2016. Si vous avez des questions au sujet de votre débit d'eau, s'il vous plaît écrivez-techmail@vigoindustries.com.

* = +/- 1"

CONTENU DE L'EMBALLAGE



OUTILS REQUIS

Clé ajustable
Clé Allen - fournie (pour enlever la cartouche si nécessaire)
Mastic de plombier - facultatif
Ruban pour tuyau
Tournevis plats

CONSEILS DE SÉCURITÉ

Si vous utilisez de la soudure pour l'installation du robinet, les sièges, les cartouches et les rondelles devront être enlevés avant d'utiliser la flamme. Les dommages causés par une mauvaise soudure annuleront la garantie. Protégez vos yeux avec des lunettes de sécurité lorsque vous coupez ou soudez les conduites d'alimentation d'eau.

POINTS IMPORTANTS

Avant de commencer l'installation, fermez les conduites d'eau froide et chaude et ouvrez les poignées d'eau froide et chaude pour relâcher la pression. Lorsque vous installez votre nouveau robinet, serrez les écrous de connecteur à la main, puis utilisez une clé pour ancrer le raccord et une seconde clé pour serrer l'écrou. Les connexions qui sont trop serrées réduiront l'intégrité du système causeront une défaillance potentielle du produit ce qui pourrait entraîner des dégâts d'eau. Enrobez toutes les connexions filetées avec du ruban pour tuyau disponible dans votre quincaillerie ou magasin de plomberie local. Toujours enrober dans le sens des aiguilles d'une montre. Les fournitures nécessaires pour installer votre robinet ne sont pas toutes incluses, toutefois, elles sont disponibles là où les fournitures de plomberies sont vendues. Avant d'installer le robinet veuillez PURGER LES CONDUITES D'ALIMENTATION D'EAU FROIDE ET CHAUDE qui sont ou seront connectées au nouveau robinet pour enlever les dépôts, la soudure ou leurs impuretés qui pourraient endommager le robinet et potentiellement annuler la garantie. Ne pas utiliser les commandes de volume indépendants pour réguler votre sous et hors tension. Toujours éteindre la vanne principale. Ne pas le faire peut raccourcir l'espérance de vie de votre robinet VIGO. Il peut aussi provoquer la panne du robinet et causer des dommages matériels.

ENTRETIEN

Votre nouveau robinet est conçu pour des années de performance sans problème. Gardez-le comme neuf en le nettoyant périodiquement avec un linge doux. Éviter les nettoyants abrasifs, les laines d'acier, et les produits chimiques rugueux puisque ceux-ci peuvent égratigner, mater, et/ou endommager la finition et annuler la garantie.

INSTALLATION

L'installation doit être effectuée par un plombier qualifié autorisé.
Avant l'installation, veuillez lire les instructions complètement, confirmez que toutes les pièces sont incluses et inspectez visuellement l'unité pour toutes défauts. Si vous avez des questions, veuillez communiquer avec le Service de Soutien technique de VIGO avant de procéder à l'installation.

ASSEMBLAGE

1. COUPEZ L'ALIMENTATION EN EAU. ENLEVEZ L'ANCIEN ROBINET ET LES TUYAUX FLEXIBLES. NETTOYEZ LA SURFACE DE L'ÉVIER AVEC UN NETTOYANT NON ABRASIF EN PRÉPARATION POUR LE NOUVEAU ROBINET.

2. ENLEVEZ L'ÉCROU EN MÉTAL, L'ANNEAU EN CAOUTCHOUC, ET L'ANNEAU EN MÉTAL DU ROBINET. ATTACHEZ LES TUYAUX EN MÉTAL TRESSÉ AU ROBINET.

3. PLACEZ LE ROBINET DANS LE TROU DE 1 3/8" DU DESSUS DE COMPTOIR; À PARTIR DU DESSOUS DU TROU DE COMPTOIR ASSEMBLEZ LE SUPPORT EN PLASTIQUE, L'ANNEAU EN CAOUTCHOUC, ET L'ANNEAU EN MÉTAL DANS L'ORDRE ILLUSTRÉ DANS LE DIAGRAMME. PUIS ENFILEZ L'ÉCROU EN MÉTAL DANS L'AXE CREUX. SERREZ L'ÉCROU EN MÉTAL JUSQU'À CE QUE LE ROBINET SOIT BIEN FIXÉ



ASSUREZ-VOUS QUE LES PIÈCES SONT ASSEMBLÉES DANS L'ORDRE TEL QU'ILLUSTRÉ DANS LE DIAGRAMME AFIN D'ÉVITER DES DOMMAGES AU ROBINET ET AUX CONDUITES D'ALIMENTATION.

4. SI LE SUPPORT DU VAPORISATEUR N'EST PAS ATTACHÉ, ATTACHEZ LE SUPPORT DU VAPORISATEUR ET LE TUYAU DU VAPORISATEUR AU ROBINET ET SERREZ LA VIS JUSQU'À CE QUE LE SUPPORT DU VAPORISATEUR SOIT BIEN FIXÉ

5. PASSEZ LE TUYAU DU VAPORISATEUR À TRAVERS LE COU À SPIRALES EN VOUS ASSURANT QUE LA CONNEXION FEMELLE DU VAPORISATEUR SOIT POSITIONNÉE VERS LE DESSUS DU COU À SPIRALES. ATTACHEZ LA CONNEXION MÂLE DU VAPORISATEUR SUR LE DESSUS DU CORPS DU ROBINET AVEC UNE CLÉ AJUSTABLE JUSQU'À CE SOIT BIEN SERRÉ. ASSOYEZ LE COU À SPIRALES DANS LE SUPPORT DU VAPORISATEUR ET APPUYEZ FERMEMENT VERS LE BAS POUR BIEN FIXER.



INSPECTEZ VISUELLEMENT LES CONNEXIONS MÂLE ET FEMELLE DU TUYAU DU VAPORISATEUR ET LE CORPS DU ROBINET POUR VOUS ASSURER QUE LES RONDELLES ET LES RÉDUCTEURS DE DÉBIT SONT PRÉSENTS. DES RONDELLES OU RÉDUCTEURS DE DÉBIT MANQUANTS OU ENDOMMAGÉS POURRAIENT CAUSER DES BLESSURES CORPORELLES OU DES DÉGÂTS D'EAU

6. ATTACHEZ LE VAPORISATEUR À LA CONNEXION FEMELLE DU TUYAU DU VAPORISATEUR À LA MAIN ET SERREZ POUR BIEN FIXER.

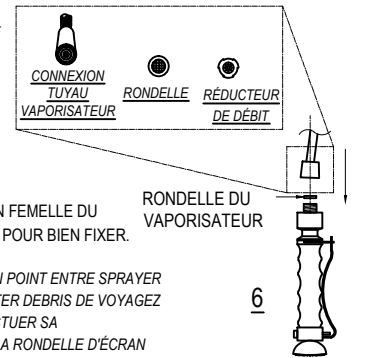
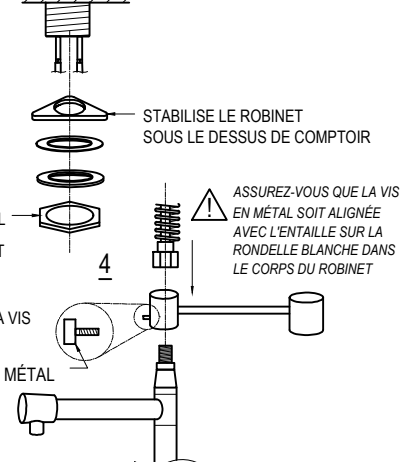
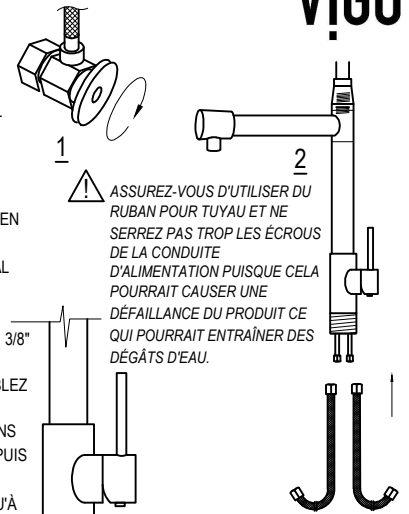


LAVE UTILISATION ÉCRAN PLACÉ À CONNEXION POINT ENTRE SPRAYER ET LE PULVÉRISATEUR TUYAU. CELA VA ARRÊTER DÉBRIS DE VOYAGEZ DANS LA TÊTE DU PULVÉRISATEUR ET D'EFFECTUER SA FONCTIONNALITÉ. S'IL VOUS PLAÎT NOTE QUE LA RONDELLE D'ÉCRAN DOIVENT ÊTRE RETIRÉS ET NETTOYÉS ENVIRON TOUS LES 3 MOIS POUR ÉVITER BUILD UP ET FAIBLE DÉBIT D'EAU.

7. ATTACHEZ LES CONNEXIONS FEMELLES DES TUYAUX EN MÉTAL TRESSÉ À L'ALIMENTATION EN EAU FROIDE ET CHAUDE.

8. UNE FOIS L'INSTALLATION COMPLÉTÉE, OUVREZ L'ALIMENTATION EN EAU ET LAISSEZ L'EAU CHAUDE ET L'EAU FROIDE COULER SÉPARÉMENT PENDANT AU MOINS DEUX MINUTES CHAQUE. TANDIS QUE L'EAU COULE, VÉRIFIEZ LES FUITES. IL EST IMPORTANT DE VOIR LES CONNEXIONS AU NIVEAU DES CONNEXIONS MÂLE ET FEMELLE DU TUYAU FLEXIBLE. SI DES FUITES SONT DÉTÉCTÉES, CONSULTEZ DE NOUVEAU LES INSTRUCTIONS ET AJUSTEZ EN CONSÉQUENCE. SERRER UN PEU LES ÉCROUS PEUT ARRÊTER TOUTES FUITES MINEURES.

VIGO



DÉPANNAGE

PROBLÈME	CAUSE POTENTIELLE	MESURE CORRECTIVE
1 - Fuites de la poignée	1.A - Cartouche non assise	1.A - Enlever la cartouche de son logement, laver complètement avec de l'eau chaude et bien asséoir dans le logement.
2 - Débit insuffisant	1.B - Cartouche défectueuse	
3 - Fuite aux points de connexion	2 - Encrassement dans tuyau/conduite d'alimentation	1.B - Communiquer avec le Soutien technique de Vigo pour un remplacement.
4 - Cou à spirales lâche		2 - Enlever le vaporisateur ou la conduite d'alimentation et purger les conduites
5 - Corps du robinet lâche	3.A - Tuyau du vaporisateur non serré	3.A - Enlever le cou à spirales en desserrant la vis en métal et en tirant le cou à spirales vers le haut pour exposer le tuyau du vaporisateur. S'assurer que la rondelle est bien assise et resserrer avec une clé ajustable. 3.B - Serrer les tuyaux. Si cela ne résout pas le problème, enlever le tuyau flexible et raccorder de nouveau, en s'assurant que la connexion est bien attachée. S'assurer d'utiliser du ruban pour tuyau. 4 - Desserrer la vis en métal, soulever le cou à spirales et asséoir de nouveau en s'assurant d'enfiler la vis en métal dans le logement de la rondelle blanche. 5 - D'en dessous du comptoir, utiliser une clé ajustable et serrer l'écrou en métal au tuyau creux. S'assurer que le robinet est bien perpendiculaire au comptoir.
	3.B - Fuite du tuyau flexible au niveau du corps ou du point de connexion	
	4 - La vis en métal n'est pas calée dans l'emplacement interne du trou de la rondelle blanche	
	5 - Écrou en métal devenu lâche	

LISTE DES PIÈCES - Pour toutes pièces requises mais non illustrées, veuillez communiquer avec le Soutien technique de Vigo

PIÈCE	PIÈCE #	INDICATEUR DATE D'APPROVISIONNEMENT (USAGE INTERNE SEULEMENT)
Vaporisateur	78021	W
Vaporisateur	78021	W
Tuyau du vaporisateur	74017	W
Poignée Remplisseur	78064A	W
Poignée Remplisseur	78064A	W
Levier Poignée Remplisseur	78064B	W
Levier Poignée Remplisseur	78064B	W
Vis Ensemble remplisseur	78064C	W
Vis Ensemble remplisseur	78064C	W
Cartouche de remplisseur de pot	78065	W
Levier Poignée	78027A	W
Levier Poignée	78027A	W
Vis Ensemble poignée	78027B	W
Vis Ensemble poignée	78027B	W
Poignée	78027C	W
Poignée	78027C	W
Cartouche Sedal	74040	W
Tuyau en métal tressé	74020	W
Pulvérisateur Rondelle	74008	W
Cartouche D'inversion	78066	W
Rondelle Noire avec Écran	74010	W

SANS FRAIS : (866) 591 - 7792

Courriel : techmail@vigoindustries.com

www.vigoindustries.com

VIGO

EN VIGUEUR LE 1er AVRIL 2013

VIGO offre la garantie limitée suivante sur chacun de ses produits Robinet (le « Produit ») et les composants de ceux-ci. Cette garantie s'adresse uniquement au propriétaire original pour usage domestique personnel. Des restrictions additionnelles s'appliquent aux utilisations commerciales.

VIGO garantit la structure du Produit contre tout défaut de matériel et de fabrication dans des conditions normales d'utilisation et d'entretien pour la période commençant à la date d'achat originale par le propriétaire, l'entrepreneur, ou le constructeur, de VIGO ou un concessionnaire VIGO autorisé, pour la durée de vie du propriétaire ou utilisateur original.

VIGO garantit le composant cartouche du Produit contre tout défaut de matériel et de fabrication dans des conditions normales d'utilisation et d'entretien pour une période de cinq (5) ans à compter de la date d'achat originale par le propriétaire, l'entrepreneur, ou le constructeur, de VIGO ou un concessionnaire VIGO autorisé.

VIGO garantit l'ensemble vaporisateur et autres composants mécaniques du Produit contre tout défaut de matériel et de fabrication dans des conditions normales d'utilisation et d'entretien pour une période d'un (1) an à compter de la date d'achat originale par le propriétaire, l'entrepreneur, ou le constructeur, de VIGO ou un concessionnaire VIGO autorisé.

Sous réserve de la clause de Service de Garantie ci-dessous, tout produit signalé au fournisseur autorisé ou à VIGO comme étant défectueux en dedans de la période de garantie sera réparé ou remplacé (avec un produit de valeur égale) à la discrétion de VIGO. Cette garantie s'adresse au propriétaire original et n'est pas transférable à un propriétaire ultérieur.

Ni le distributeur, ni le concessionnaire autorisé VIGO, ni personne d'autre n'est autorisé à faire d'affirmations, de représentations ou de garanties autres que celles stipulées dans la présente garantie. Les affirmations, représentations ou garanties autres que celles contenues dans la présente garantie ne sauraient s'appliquer à VIGO ni à personne d'autre.

VIGO se réserve le droit de modifier cette garantie en tout temps; il est entendu que de telles modifications ne changeront pas les conditions de la garantie applicable au moment de la vente des produits en cause.

Restrictions

La présente garantie ne s'applique pas dans le cas de procédures d'opérations incorrectes, de bris ou de dommages causés par un défaut suite à une installation incorrecte, la négligence, l'abus, le mauvais emploi, le mauvais usage, le mauvais entretien, ou l'altération du Produit, de même que par la corrosion chimique ou naturelle, le feu, l'inondation, les catastrophes naturelles ou tout autre cas fortuit. Éviter les nettoyeurs abrasifs, les laines d'acier, et les produits chimiques rugueux puisque ceux-ci peuvent égratigner, endommager, et/ou mater le produit et/ou la finition et annuler cette garantie. Le propriétaire du Produit visé par la présente garantie est entièrement responsable de son installation adéquate et de toute plomberie ou de tout câblage électrique applicables. VIGO ne procède pas à l'installation, n'engage pas d'entrepreneur à cet effet, ni ne supervise l'installation; conséquemment, VIGO ne peut être tenue responsable de tout défaut, bris ou dommage causé directement ou indirectement par l'installation du Produit ou résultant de celle-ci.

Le propriétaire doit assurer un accès aux composants du Produit tel que le décrit le guide d'installation afin que VIGO puisse exécuter la garantie spécifiée aux présentes. Si un tel accès n'existe pas, tous les coûts inhérents à son aménagement seront la responsabilité du propriétaire.

La présente garantie ne s'applique pas aux Produits qui n'auraient pas été installés ou utilisés conformément aux instructions fournies par VIGO ainsi qu'à tous règlements ou toutes lois applicables à de telles installations.

La présente garantie ne s'applique pas à moins que le Produit VIGO ait été installé par des professionnels agréés entièrement assurés. VIGO recommande fortement que de tels professionnels agréés aient de l'expérience dans l'installation de produits de salle de bain et de cuisine. [L'installation de certains produits incluant sans s'y limiter les produits de verre (par ex. les portes de douche et les éviers en verre) par une personne non expérimentée peut entraîner une défaillance du produit incluant, mais sans s'y limiter, un bri du verre qui pourrait causer des blessures corporelles ou la mort.]

VIGO n'est aucunement responsable des blessures corporelles, du décès de toute personne ou des dommages directs, particuliers, accessoires ou indirects, de la perte de temps, de la perte de profits, des inconforts, des frais accessoires, des coûts de main d'œuvre ou de matériel ou de tout autre coût résultant de l'utilisation du produit ou de l'équipement, ou résultant du retrait ou du remplacement de tout produit, élément ou pièce faisant l'objet de la présente garantie.

À MOINS D'INDICATION CONTRAIRE AUX PRÉSENTES, VIGO N'OFFRE AUCUNE GARANTIE EXPRESSE OU IMPLICITE, NI AUCUNE GARANTIE DE QUALITÉ MARCHANDE OU D'ADAPTABILITÉ À UN USAGE PARTICULIER OU DE CONFORMITÉ À UN CODE.

Dans tous les cas, VIGO ne peut être tenue responsable de tout montant excédant le prix d'achat du Produit déboursé par le propriétaire/utilisateur, l'entrepreneur ou le constructeur.

Restrictions commerciales

En plus des conditions et restrictions mentionnées ci-dessus, la période de garantie relative à tout produit installé dans le cadre d'une application commerciale ou utilisé dans le cadre d'une entreprise commerciale est de un (1) an à compter de la date d'achat originale par le propriétaire, l'entrepreneur ou le constructeur auprès d'un détaillant autorisé. VIGO n'est pas responsable pour toute perte d'utilisation ou de profit sous aucune circonstance. Si le produit est utilisé dans le cadre d'un étalage, la période de garantie s'applique à partir de la date d'achat. Cette garantie donne au propriétaire des droits légaux spécifiques. Le propriétaire peut aussi avoir d'autres droits qui peuvent varier d'un état ou d'une province à l'autre.

Service sous garantie

Pour se prévaloir du service offert en vertu de la présente garantie pendant les heures normales d'ouverture, communiquez avec le détaillant ou le distributeur qui a vendu le produit, ou communiquez directement avec VIGO. VIGO honorera le service sous garantie décrit ci-dessus aux conditions suivantes : la défaillance est d'une nature ou d'un type couvert par la garantie; l'utilisateur a informé un agent autorisé de VIGO ou un représentant du service de la garantie de VIGO, de la nature du problème durant la période de la garantie; une preuve concluante (par ex., une preuve d'achat ou d'installation) est fournie par l'utilisateur, démontrant que la défaillance est survenue ou a été découverte pendant la période de garantie; une personne autorisée d'un service indépendant ou un représentant de la compagnie a eu la permission d'inspecter le produit pendant les heures normales d'ouverture, dans un délai raisonnable après le signalement du problème par l'utilisateur. L'obligation de VIGO en vertu de la garantie cesse au moment où VIGO fournit le remplacement ou la réparation. Le refus du client d'accepter cette mesure met un terme à l'obligation de VIGO en vertu de la garantie.

VIGO ou un organisme de certification peut annuler une certification sans préavis.