

Tub Spout - Modern R

FEATURES

- Laminar flow
- Solid brass construction
- 1/2" NPT connection

COLORS/FINISHES

- #CP Polished Chrome
- #PN Polished Nickel
- #BN Brushed Nickel



CODES/STANDARDS

- Meets or exceeds ASME A112.18.1/CSA B125.1
- Certifications: IAPMO(cUPC), State of Massachusetts and others
- Code Compliance: UPC, IPC, NSPC, NPC Canada, and others
- Complies with CA Prop 65 warning requirements



PRODUCT SPECIFICATION

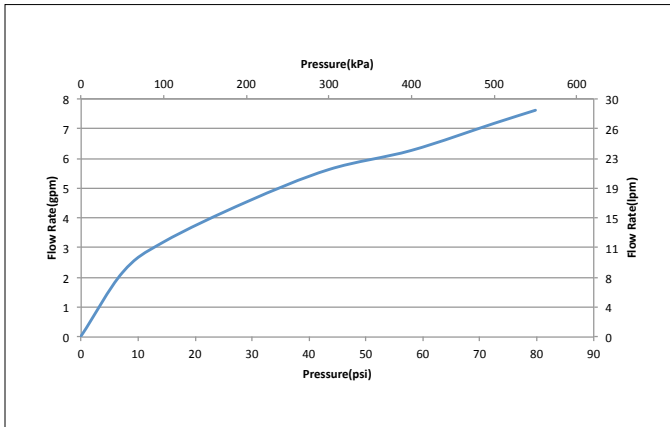
The tub spout shall have a laminar flow. Product shall have a solid brass construction. Product shall have 1/2" NPT connection. Product shall be TOTO Model TBG01001U#_____.

TBG01001U

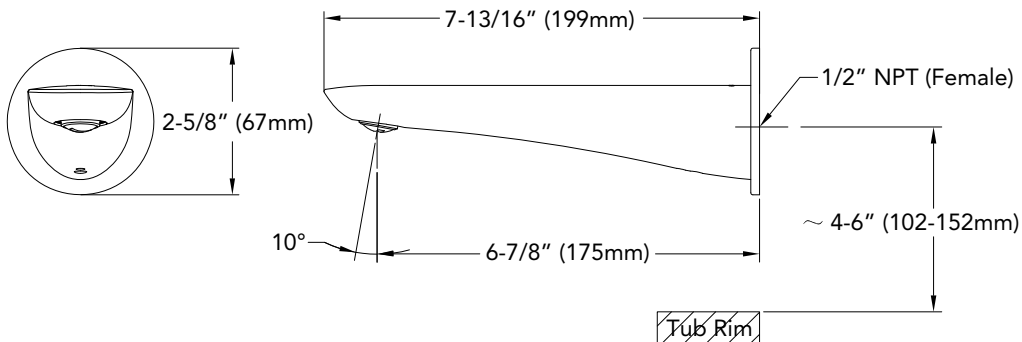
Tub Spout - Modern R

SPECIFICATIONS

Material	Brass
Warranty	Limited Lifetime for Residential Use One Year for Commercial Use
Shipping Weight	2.6 lbs
Shipping Dimensions	10" L x 4-1/4" W x 3-3/8" H



DIMENSIONS



TOTO

Ph: (888) 295-8134 | Fax: (800) 699-4889 | www.totousa.com | © TOTO USA

These dimensions and specifications are subject to change without notice

#SS-01316 v.01