

FEATURES

- Touchless automatic sensor faucet
- Soft Flow™ prevents splashing
- Safety Thermo™ thermostatic mixing valve for scald prevention
- Cost saving WaterSense® Certified 1.1 gpm faucet
- Temperature indicating LED light
- Requires TLP01702U Controller (sold separately)
- Drain assembly not included

COLORS/FINISHES

- #CP Polished Chrome
- #BN Brushed Nickel

PRODUCT SPECIFICATION

Product shall have a maximum flow rate of 1.1 gpm (4.2 lpm). Product shall have a brass construction. Product shall be an automatic sensor faucet. Product shall be TOTO Model TLP01701U#_____.

CODES/STANDARDS

- Meets or exceeds ASME A112.18.1/CSA B125.1, ASSE 1070/ASME A112.1070 / CSA B125.70, NSF61-9, UL1951, UL1310, CAN/CSA C22.2
- Certifications: IAPMO(cUPC), EPA WaterSense, State of Massachusetts and others
- Code Compliance: UPC, IPC, NSPC, NPC Canada, CEC, DOE, and others
- California Green Building Code, City of Los Angeles Water Efficiency Ordinance
- Complies with federal and state requirements as lead-free (weighted average of 0.25% lead or less)
- ADA compliant
- Complies with CA Prop 65 warning requirements



Soft Flow



Safety Thermo



Auto Functions



TLP01702U Controller
(Sold Separately)

TLP01701U

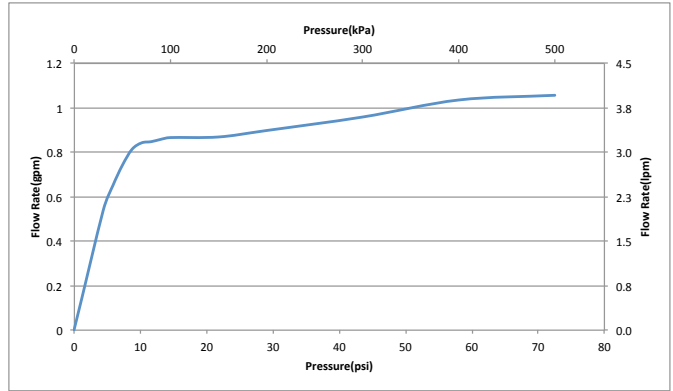
ZN Lavatory Faucet

SPECIFICATIONS

Material	Brass
Maximum Flow Rate	1.1 gpm (4.2 lpm)
Power Supply	AC 100~240 V
Power Cord Length	29-1/2" (750mm)
Sensor Detection Range	5-1/8" ~ 7-7/8" (130~200mm)
Water Supply Pressure	Min. Required: 15 psi (138 kPa) (Flowing) Max Allowed: 80 psi (551 kPa)
Water Supply Connection	1/2-14 NSPM
Inlet Temp. Range	HOT: 120~180°F (49~82°C) COLD: 39~80°F (4~27°C)
Ambient Temp.	32~104°F (0~40°C)
Humidity Max.	90% RH
Warranty	Three Year Limited

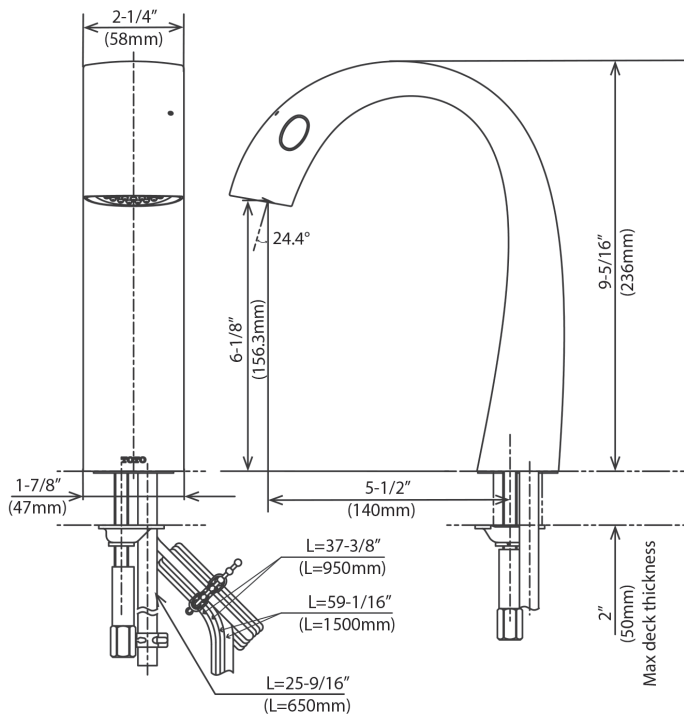
INSTALLATION NOTES

- Requires TLP01702U Controller (sold separately)
- Check local plumbing code for specification requirements



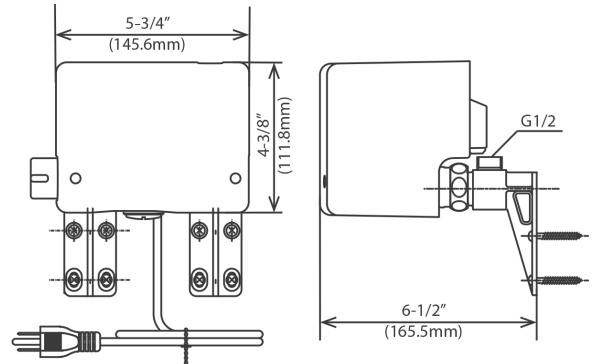
DIMENSIONS

TLP01701U



Faucet hole \varnothing 1-1/4" (\varnothing 32mm) - \varnothing 1-1/2" (\varnothing 38mm)

TLP01702U



TOTO[®]

These dimensions and specifications are subject to change without notice

Ph: (888) 295-8134 | Fax: (800) 699-4889 | www.totousa.com | © TOTO USA

SS-01262 v.01