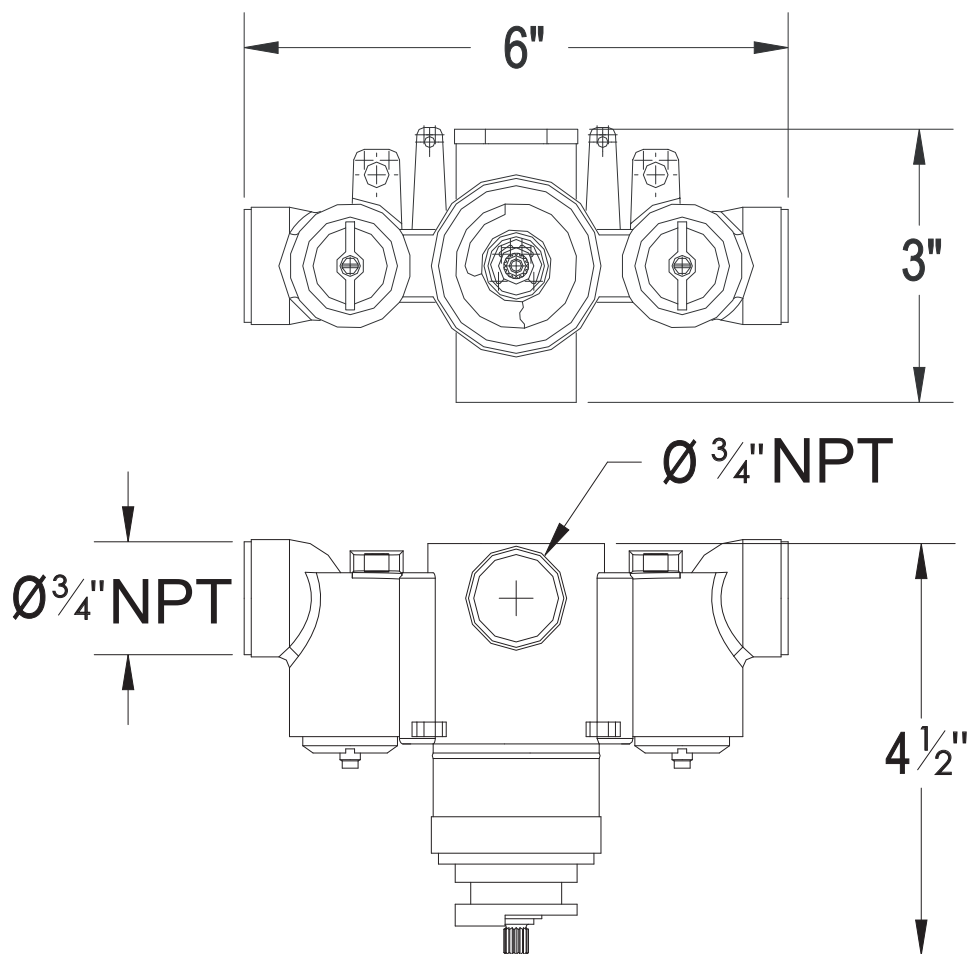
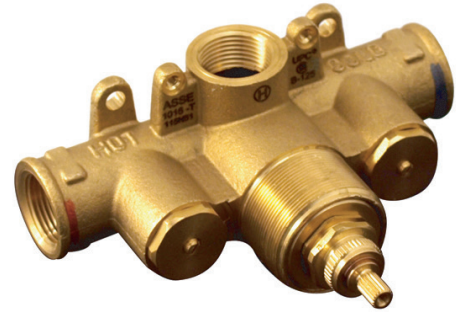


## PRODUCT SPECIFICATION SHEET

### ITEM # TH-5034 ROUGH 3/4" Thermostatic control valve

- Built-in check valve and service stops
- 20 GPM
- Extension kit sold separately



The measurements shown are for reference only. Products and specifications shown are subject to change without notice.