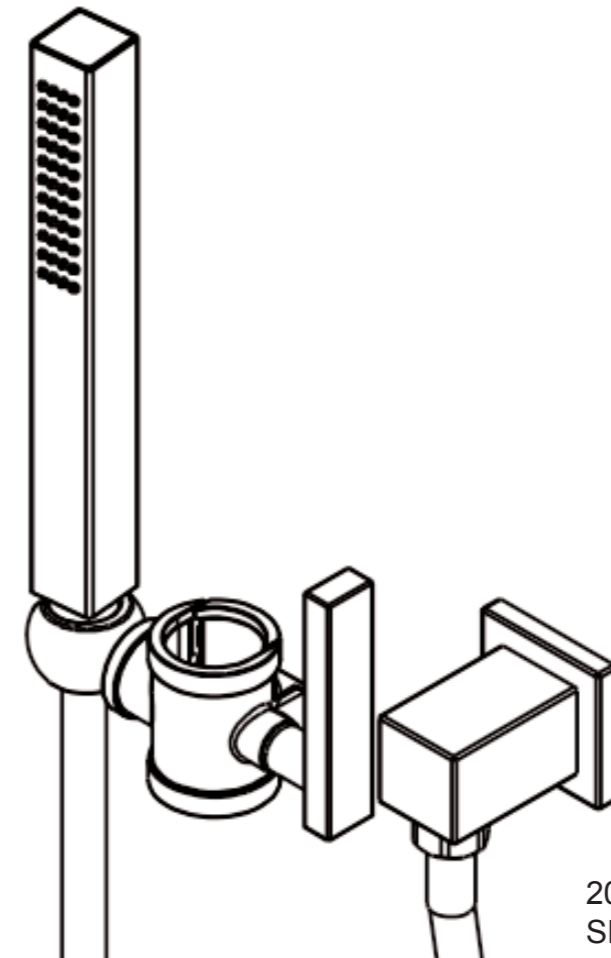


INSTALLATION INSTRUCTIONS
MODEL No's: 2040-0442, 2040-0443

GRAB BAR HAND SHOWER HOLDER



2040-0443
SHOWN

NEWPORT BRASS
Flawless Beauty. From Faucet to Finish.™

2001 E.CARNEGIE AVE, SANTA ANNA CA 92705
(949) 417-5207
WWW.GINGERCO.COM

NWP-2040-0442
EN-3568
11/19/2018

REV -

