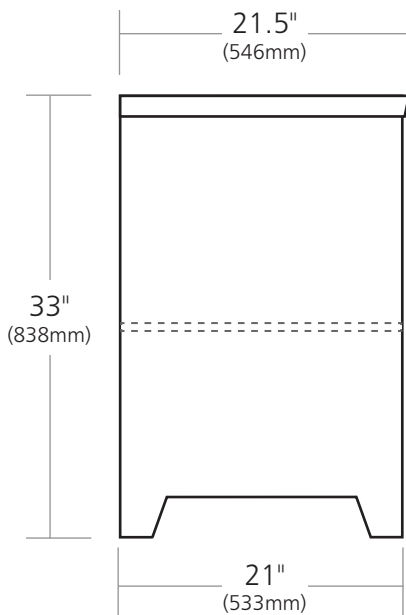
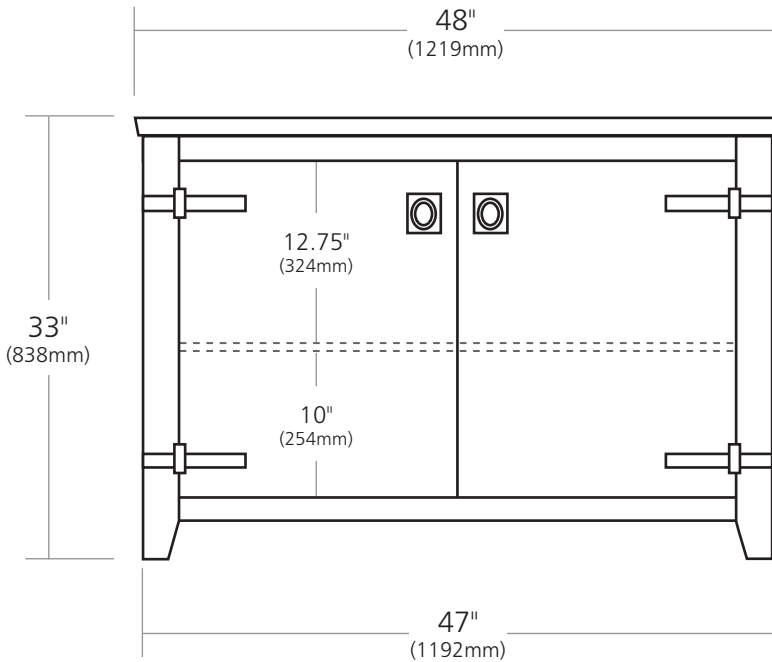


SPECIFICATIONS

48" AMERICANA VANITY

Americana Collection



- VNB481 - Chestnut
- VNB480 - Whitewash
- VNB488 - Anvil
- VNB489 - Driftwood

PRODUCT DETAILS

- 48"w x 21.5"d x 33"h (1219mm x 546mm x 838mm)
- Handcrafted by American artisans from reclaimed wood
- Hand forged iron hinges and pulls
- Solid wood back
- Hand rubbed finish
- Interior shelf

INSTALLATION

- Freestanding vanity base

COORDINATING PRODUCTS

- Any Native Trails copper or stone vanity top
- Americana Mirror, Cabinet, Cubby and Hutch

IMPORTANT

Due to the handcrafted nature of this product, it will vary in finish, texture, and other details. Dimensions may vary up to 1/2" (13mm).