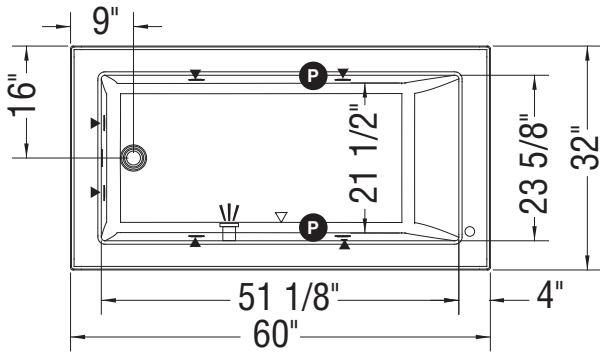
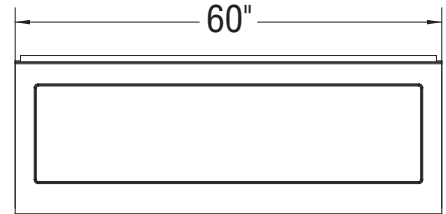
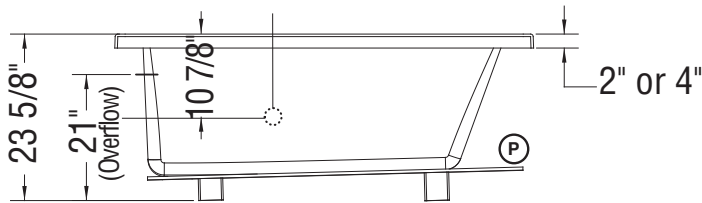
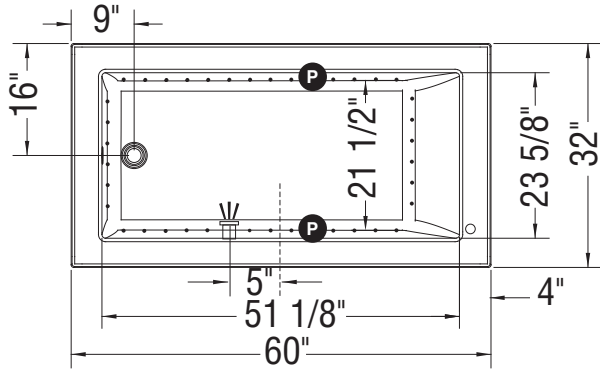


WHIRLPOOL SYSTEM



AIR SYSTEM



(P) : Indicates pump positioning

(P) : Indicates optional grab bar positioning (△) : Indicates suction positioning

(▲) : Indicates Whirlpool jets positioning (☼) : Indicates chromatherapy light positioning

(•) : Indicates airjets positioning (○) : Indicates height of chromatherapy light positioning

All dimensions are approximate. Structure measurements must be verified against the unit to ensure proper fit.