

## Installation Instructions

## Model MS-Speakers

1. Cut a 5½" diameter hole to mount each speaker.

**CAUTION** All audio wiring shall be installed in accordance with National Electric Code and local electrical codes.

2. Connect the speaker wires from the stereo to the terminals of the speaker. The "+" terminal is identified by a "+" symbol and is larger than the "-".
3. Test speakers before securing to wall.
4. Remove the front grill of the speaker by gently rotating out any two opposite brackets by hand as shown in the installed view and pressing them down to pop the grill off. Return the brackets to the original position before installing speaker.

**CAUTION** Failure to engage mounting brackets correctly or improper installation may result in a falling object hazard.

5. Apply a bead of silicone RTV (not supplied) around the edge of the speakers as shown in the diagram as required to obtain a watertight seal.
6. Fit the speaker into the speaker-mounting hole.
7. Secure the speaker in place using the integral mounting brackets. The mounting brackets will rotate out and tighten when the 4 large screws are turned clockwise.

**NOTE:** DO NOT OVER TIGHTEN SCREWS.

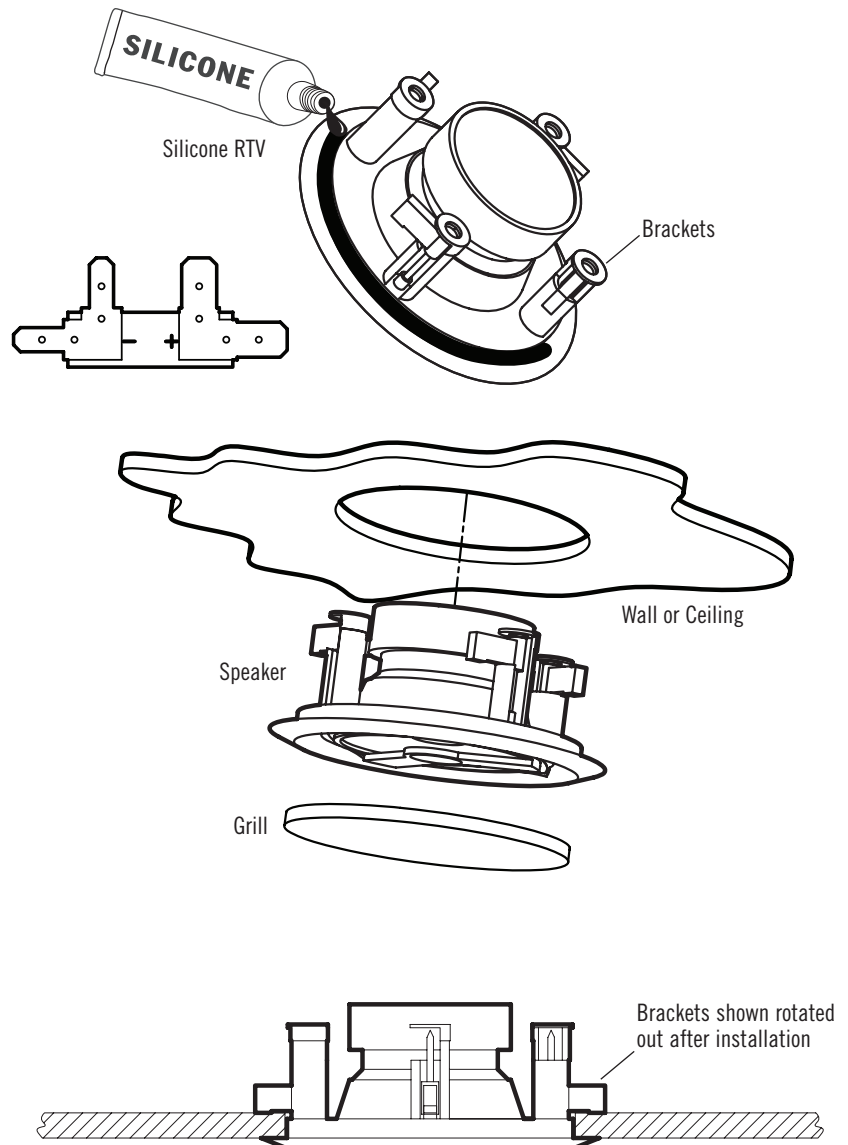
8. Gently tug on speakers to ensure they are secure in the wall/ceiling.
9. Carefully replace the speaker grills by pressing them in place.
10. Let the silicone cure per manufacture's instructions before using steam room.

**IMPORTANT:** Do not place speakers in contact with direct water or steam emission. Speakers may be installed in either walls or ceilings.



### WARRANTY

To view or download the Mr. Steam Accessories Warranty and register your product go to: [blog.mrsteam.com/wr](http://blog.mrsteam.com/wr)



### PACKAGE CONTENTS:

- 2 Speakers
- 1 Installation Instructions

### SPEAKER RATINGS:

- 60 watt peak
- 30 watt RMS
- 8 ohm impedance