

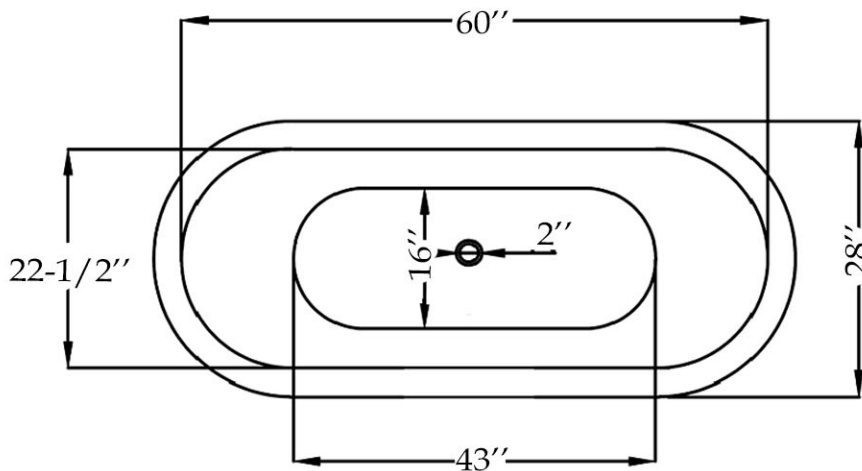
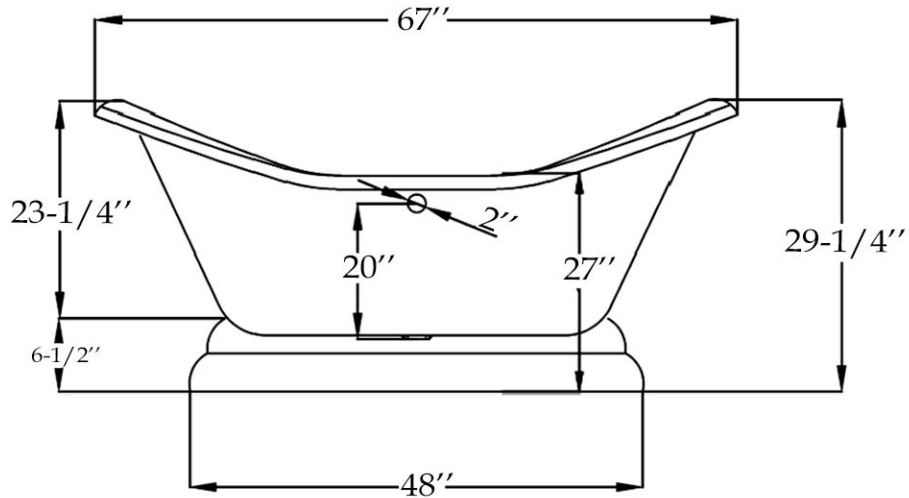


MAIDSTONE

[www.MaidstoneSupply.com](http://www.MaidstoneSupply.com)

Double Slipper Pedestal Tub

Part No:CH66DS0W8PWM



Volume: 65 gal    Weight: 396 lbs    Water Depth: 16 "

Contact Maidstone for additional information and specifications. For complete warranty information and a list of dealers visit [www.MaidstoneSupply.com](http://www.MaidstoneSupply.com). All products and specifications are subject to change without notice. Maidstone is not responsible for typographical and/or dimensional errors. Typographical errors are subject to correction.

Note: Rough-in dimensions may vary +/- 1/2" and are subject to change. No responsibility is assumed by Maidstone.