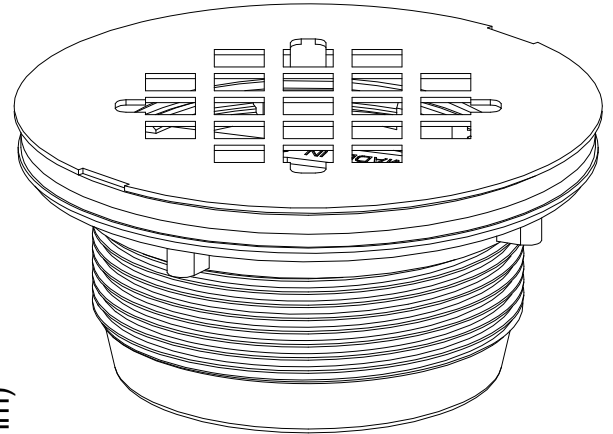
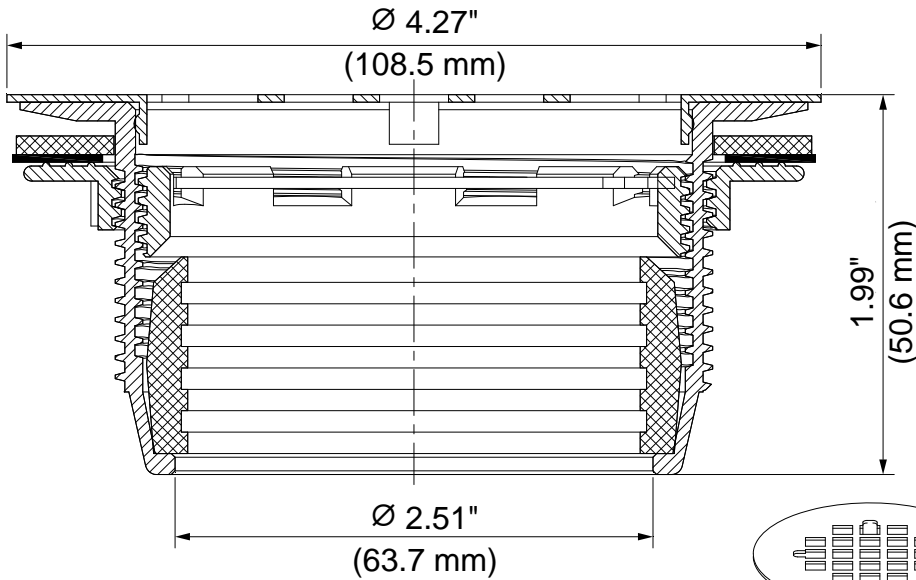


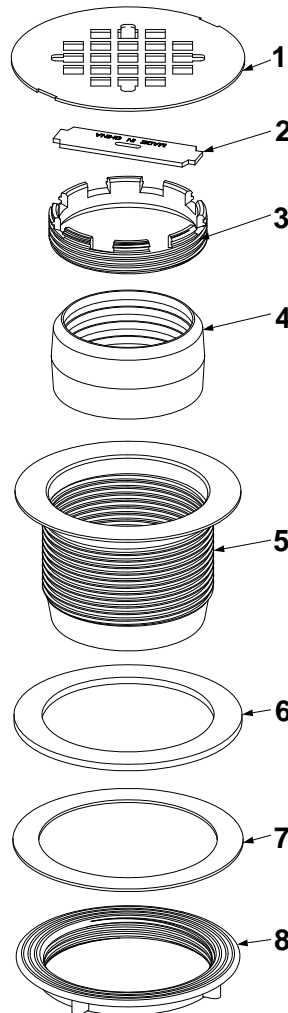
SPECIFICATIONS

- 2" Brass No Caulk Shower Drain
- Fits 2" Schedule 40 PVC or 2" Cast Iron Pipe
- Snap-in Stainless Steel Strainer



ML42150

CROSS REFERENCE	
42150	67042 or ABA6520
D40-140	67041 or ABA6508
827-2B	86058 or 4822BS
7980	FD2275-BR2
15306	



No.	Part Name	Material
1	Strainer	Stainless Steel
2	Wrench Key	Steel
3	Lock Nut	Brass
4	Gasket	Rubber
5	Body	Brass
6	Washer	Rubber
7	Paper Washer	Duplex Paper
8	Lock Nut	Brass

CERTIFICATIONS

- cUPC

