



**MAINLINE®**

# Brass Ball Valve, Threaded

## Product Specifications

✓ To Submit	Part #	Size
	ML5592F-1/2	1/2"
	ML5592F-3/4	3/4"
	ML5592F-1	1"
	ML5592F-11/4	1-1/4"
	ML5592F-11/2	1-1/2"
	ML5592F-2	2"
	ML5592F-21/2	2-1/2"
	ML5592F-3	3"

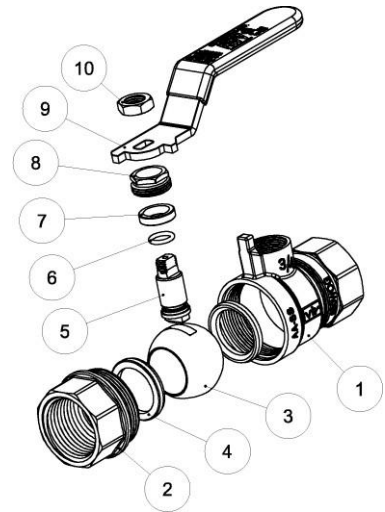
### Product Features:

- 150# WSP / 600# WOG
- Brass Body
- Full Port
- Adjustable packing
- FNPT x FNPT
- Threaded ends (ASME B1.20.1-NPT)
- Blow-out proof stem
- CSA 1/2, 5 & 125 psi (1/4" - 2")
- CSA 1/2 psi (2 1/2" & 3")
- CSA ΔC (1/2" - 2")



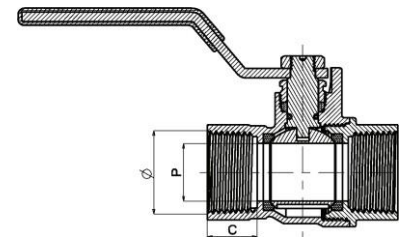
### Materials & Specifications:

Item	Description	Material	Specification
1	Body	Brass	ASTM B283 C37700
2	End Piece	Brass	ASTM B283 C37700
3	Ball	Brass / Cr Plated	ASTM B283 C37700
4	Seat	PTFE	PTFE
5	Stem	Brass	ASTM B124 C37700
6	O-ring	FKM	NSF Approved
7	Packing	PTFE	PTFE
8	Packing Nut	Brass	ASTM B124 C37700
9	Handle	Steel / Dacromet®	A36
10	Handle Nut	Steel / Zn Plated	A36

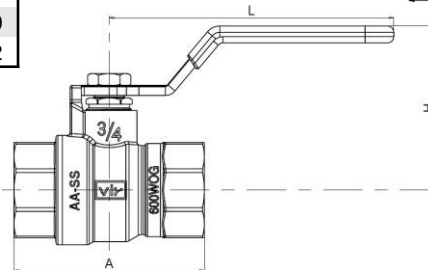


### Dimensions (inches), Weights (lbs.), & Valve Data:

	Φ	A	C	H	L	P	Cv	Wt.
		[in]	[in]	[in]	[in]	[in]		[lb]
1/2"	1/2 - 14 NPT	2.17	0.61	1.93	3.58	0.50	11	0.42
3/4"	3/4 - 14 NPT	2.40	0.63	2.05	3.58	0.73	26	0.58
1"	1 - 11.5 NPT	2.91	0.75	2.36	4.96	0.95	55	0.98
1 1/4"	1 1/4 - 11.5 NPT	3.31	0.77	2.60	4.96	1.22	103	1.36
1 1/2"	1 1/2 - 11.5 NPT	3.54	0.77	2.87	5.55	1.46	111	1.88
2"	2 - 11.5 NPT	4.09	0.79	3.25	5.55	1.95	353	2.94
2 1/2"	2 1/2 - 8 NPT	5.31	1.06	4.17	7.91	2.44	409	6.20
3"	3 - 8 NPT	6.02	1.14	4.53	11.06	2.91	530	8.92



Pressure/Temperature Ratings	
600 PSI from 15°F to 160°F	150 PSI Max at 366°F



### Warranty

See warranty information for more details.

All dimensions listed are nominal. MAINLINE® reserves the right to make product and material changes at any time without notice.



Contact your sales representative for more information or visit our website at [mainlinecollection.com](http://mainlinecollection.com)