

Round Vessel Lavatory

Product Specifications

Features

- Vitreous china
- Single hole faucet drilling
- Front overflow
- Faucet not included

Overall Size

- 424mm W x 424mm D x 194mm H 16⁵/₈" W x 16⁵/₈" D x 7⁵/₈" H

Compliance Certifications

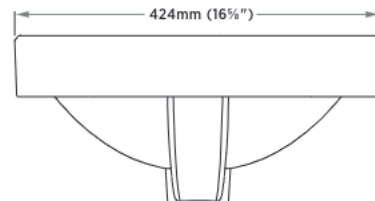
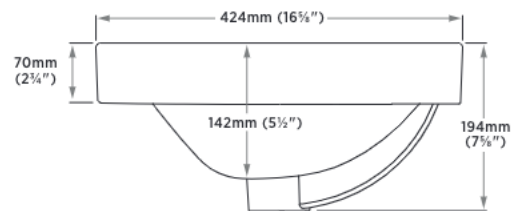
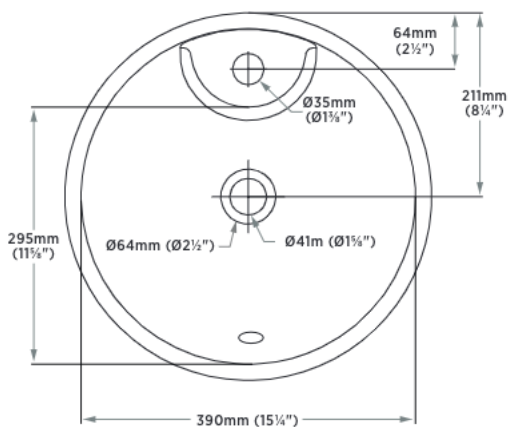
- Meets or exceeds the following:
- IAPMO cUPC
- ASME A112.19.2 / CSA B45.1

Shipping

- Cube 1.70GW 21.05 lbs



LXS10019 White Round Vessel Lavatory
LXS10020 Matte Black Round Vessel Lavatory
LXS10021 Slate Gray Round Vessel Lavatory



All dimensions listed are nominal. Luxart® reserves the right to make product and material changes at any time without notice.

Contact your sales representative for more information or visit our website at luxartcollection.com