

# Linear Shower Drain Square Grate

## Product Specifications

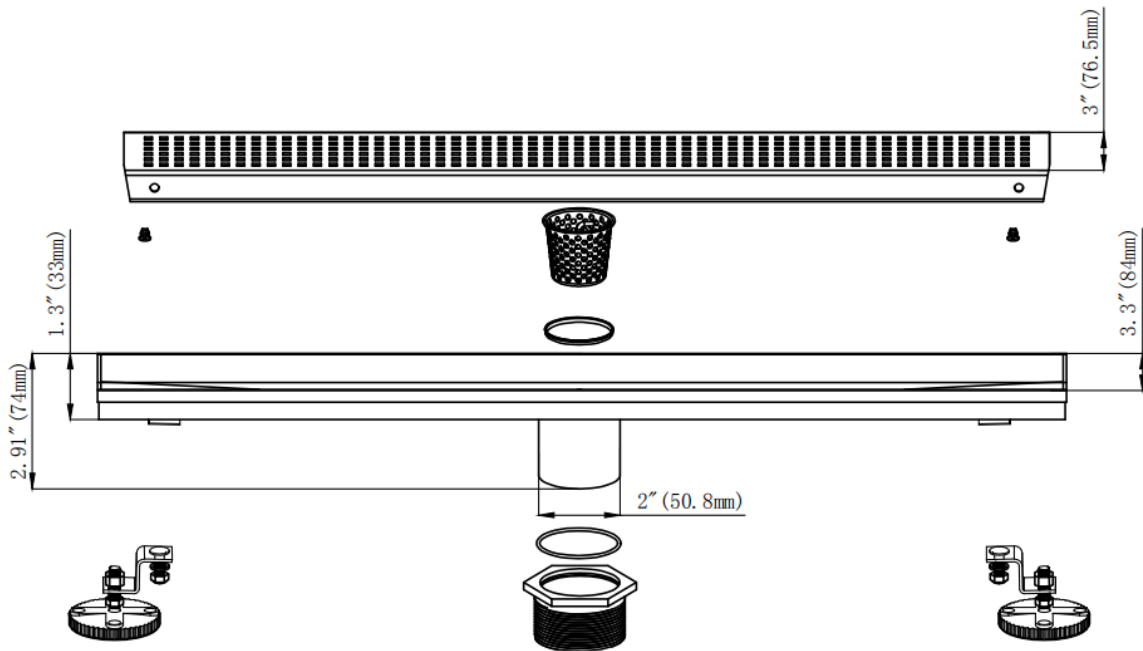
### LUXART® DetailLine

#### Features

- Sleek, stylish shower drain, made from corrosion-resistant 16 gauge 304 stainless steel
- Stainless steel designer grate insert in brushed satin finish
- Sloped, self-cleaning channel ensures proper and sanitary draining
- Adjustable feet provide easy installation height adjustment
- Universal 2" SS drain and ABS threaded adapter with sealing o-ring
- Stainless steel debris basket with lifting key allows for easy maintenance and cleaning
- Silicone sound proof band reduces basket rattle



Model #	Description
LX2401	Detail Line 24" SS Linear Shower Drain Square Grate
LX2801	Detail Line 28" SS Linear Shower Drain Square Grate
LX3201	Detail Line 32" SS Linear Shower Drain Square Grate
LX3601	Detail Line 36" SS Linear Shower Drain Square Grate



#### Warranty

See warranty information for more details.

All dimensions listed are nominal. Luxart® reserves the right to make product and material changes at any time without notice.



Contact your sales representative for more information or visit our website at [luxartcollection.com](http://luxartcollection.com)