

## GV-100

### Clear Glass Vessel Sink

---

#### Sink Dimensions

Dimensions:  $\varnothing 16 \frac{1}{2}''$  x  $5 \frac{1}{2}''$

#### Features

- Solid Tempered Glass
- Vessel Sink
- 12mm Thickness
- $1 \frac{3}{4}''$  Drain Hole Size
- Without Overflow

#### CODES/STANDARDS:

##### Product Certification

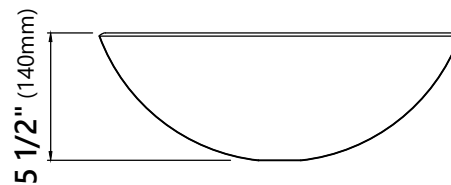
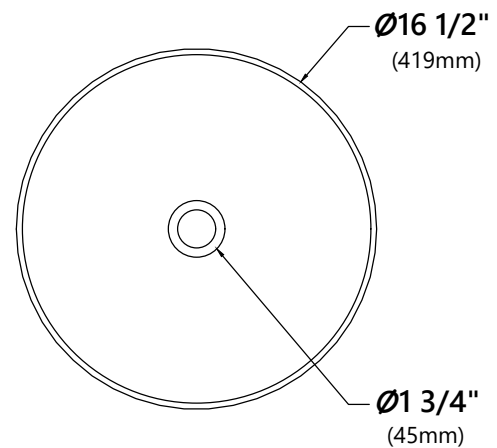
cUPC certified, MASS Approved, ADA compliant



#### Warranty

Kraus Limited Lifetime Warranty

see website for details [www.kraususa.com](http://www.kraususa.com)



## KVF-1200

### Single Lever Vessel Bathroom Faucet

#### Faucet Dimensions

Overall Height: 12 1/8"

Overall Width: 2 1/4"

Spout Height: 8 1/8"

Spout Reach: 5 1/8"

#### Features

- Brass Body
- Lead Free Brass Waterway
- Flow Rate 1.2gpm (4.5L/min) @ 60 psi
- 25mm Ceramic Cartridge
- 29.5" Flexible Nylon Integrated Waterlines
- TPI of aerator in the Spout - M18.5\*1
- Soft-touch Silicone Aerator
- Dome Shaped Screen Washer
- Ø1 1/4" Shank

#### Accessories Included

- Pop-Up Drain
- Hex Wrench
- Aerator Key

#### Available Finishes

- Chrome
- Matte Black
- Spot Free Brushed Nickel
- Oil Rubbed Bronze

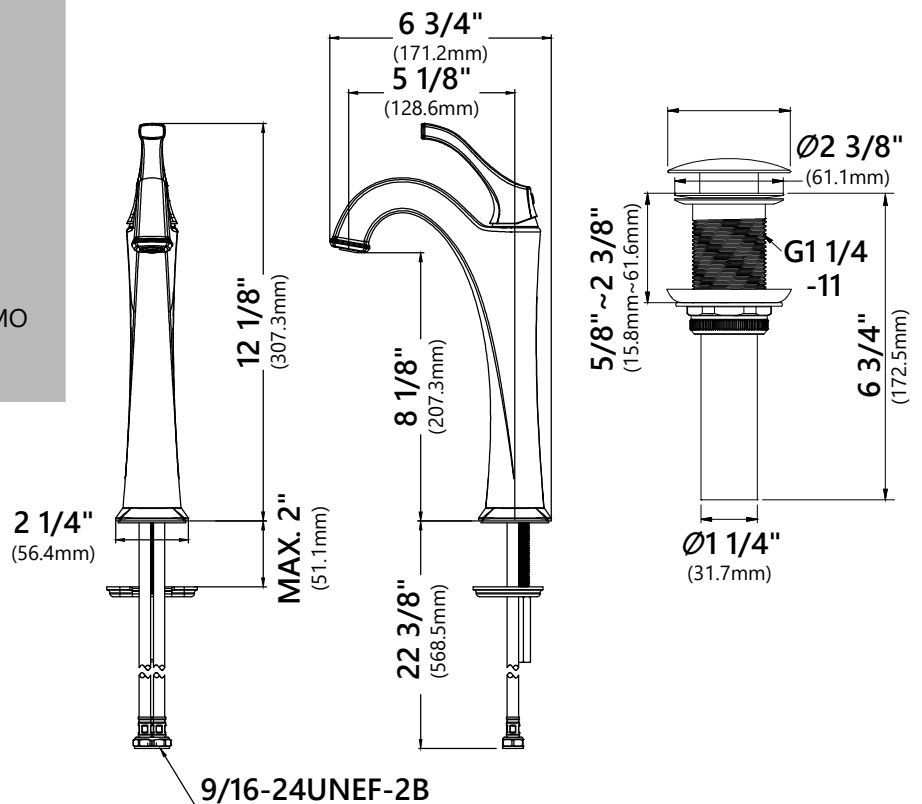
#### CODES/STANDARDS:

##### Product Certification

cUPC (ASME A112.18.1/CSA B125.1)

NSF/ANSI Standard 61 and 372 certified by IAPMO

AB1953, MASS, DOE, CEC, ADA



#### Warranty

Kraus Limited Lifetime Warranty

see website for details [www.kraususa.com](http://www.kraususa.com)

## MR-1 Mounting Ring

### Mounting Ring Dimensions

Overall Dimensions:  $\varnothing 3 \frac{1}{8}''$  x  $\frac{3}{8}''$

### Features

- Brass Construction
- Designed to Use with Above Counter Vessel Sinks without Overflow
- Fits Standard Drain Assembly without Overflow

### Available Finishes

- Chrome
- Gold
- Oil Rubbed Bronze
- Satin Nickel



### Warranty

Kraus Limited Lifetime Warranty

see website for details [www.kraususa.com](http://www.kraususa.com)

