

Features

- For use with valves with a diverter.
- Complements Pinstripe® Suite.
- Lever handle.
- Requires a Rite-Temp® pressure-balancing valve.

Material

- Premium material construction.

Installation

- Wall-mount.

Required Products/Accessories

K-11748 Series Rite-Temp® Valves



ADA

CSA B651

OBC

Codes/Standards

ASME A112.18.1/CSA B125.1

ADA

ICC/ANSI A117.1

CSA B651

OBC

KOHLER® Faucet Lifetime Limited Warranty

See website for detailed warranty information.

Available Colors/Finishes

Color tiles intended for reference only.

Color	Code	Description
-------	------	-------------



CP Polished Chrome



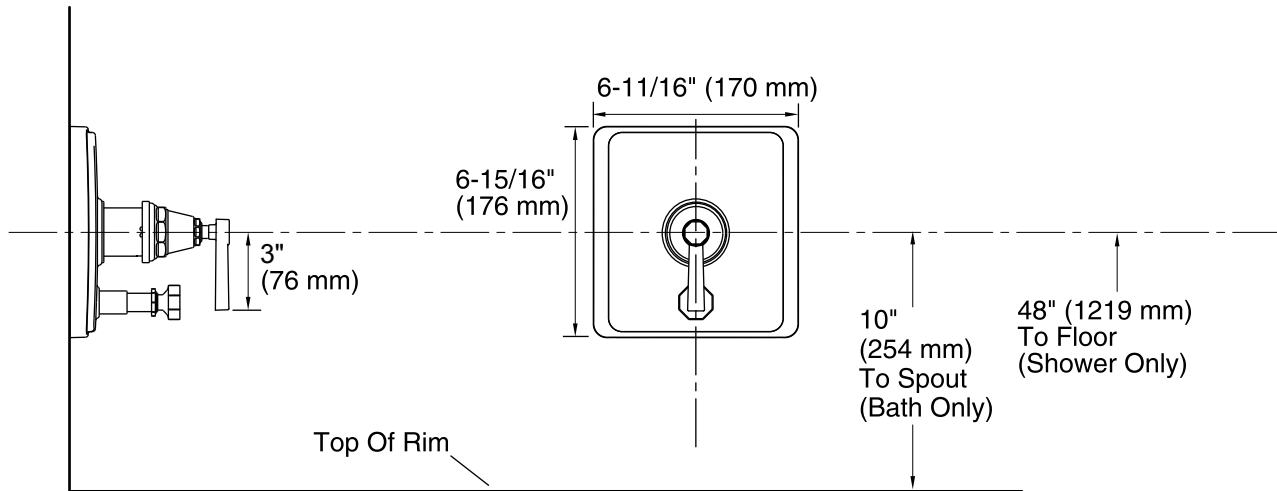
SN Vibrant® Polished Nickel



BN Vibrant® Brushed Nickel



BV Vibrant® Brushed Bronze



Technical Information

All product dimensions are nominal.

Notes

Install this product according to the installation guide.

Avoid cross-flow conditions. Do not install shut-off device on either valve outlet.

Cap the shower outlet if deck-mount spout, diverter, or handshower is connected to the spout outlet.

Install straight pipe or tube drop of 7" (178 mm) to 18" (457 mm) with single elbow between the valve and wall-mount spout.

ADA, OBC, CSA B651 compliant when installed to the specific requirements of these regulations.