

## Features

- Comfort Depth® design offers a convenient and low step-over height while retaining the depth of a standard 21" bath.
- Sloped lumbar supports on both ends offer extra comfort while bathing.
- Slotted overflow allows for deep soaking.
- Center drain.
- Slotted overflow for deep soaking.
- Integral lumbar support.
- Coordinates with other products in the Reve® collection.

## Material

- KOHLER® enameled cast iron.
- Cast iron with Safeguard® finish.
- Painted exterior surface smoothness can vary from product to product.

## Installation

- Drop-in or undermount.

## Required Products/Accessories

K-7271 Brass Slotted Overflow Bath Drain

or

K-7272 PVC Slotted Overflow Bath Drain

## Recommended Products/Accessories

K-137 Under-Mount Installation Kit

K-1179 Vinyl Tiling-in Bead



## Codes/Standards

ASME A112.19.1/CSA B45.2




ASTM F462

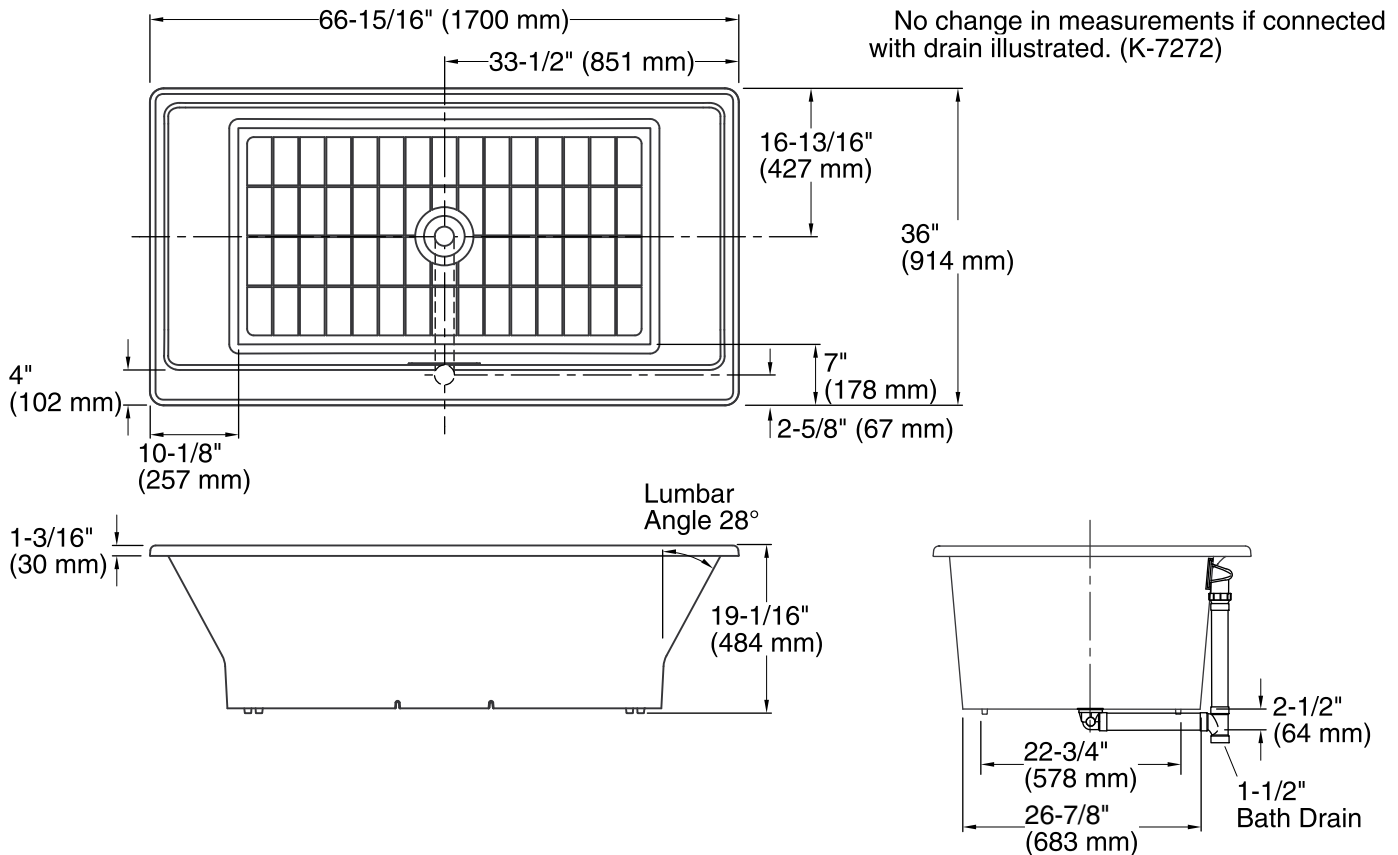
## KOHLER® Enameled Cast Iron Bath and Shower Base Lifetime Limited Warranty

See website for detailed warranty information.

## Available Colors/Finishes

*Color tiles intended for reference only.*

| Color  | Code | Description |
|--|------|-------------|
|  | 0    | White       |
|  | 96   | Biscuit     |
|  | 47   | Almond      |



## Technical Information

All product dimensions are nominal.

|                     |   |
|---------------------|---|
| Installation:       | Drop-in, Under-mount                              |
| Drain location:     | Center  |
| Basin area, bottom: | 49" x 26-1/2" (1245 mm x 673 mm)                  |
| Basin area, top:    | 62-1/2" x 29-1/4" (1588 mm x 743 mm)              |
| Weight:             | 435 lbs (197.3 kg)                                |
| Minimum floor load: | 78 lbs/ft <sup>2</sup> (380.8 kg/m <sup>2</sup> ) |
| Water depth:        | 15-1/4" (387 mm)                                  |
| Water capacity:     | 90 gal (340.7 L)                                  |
| Cutout:             | Drop-in, 66-1/2" x 35-1/2" (1689 mm x 902 mm)     |
| Template:           | Under-mount, K-137, required, not included        |

## Notes

Measure your actual product for rough-in details. Install this product according to the installation instructions.

The hot water supply should be 70% of the capacity of the bath or greater. Installations will vary.

Kit is required for under-mount installations (sold separately).

To clear the overflow side bath rim, a minimum 7" (178 mm) bath spout is recommended.

To clear the end wall bath rim, a minimum 10" (254 mm) bath spout is recommended.