

Features

- 36-inch minimum base cabinet width.
- Double equal bowls.
- 9-inch depth.
- Self-Trimming apron overlaps the cabinet face for easy installation.
- Apron height allows sink to be used in most standard cabinetry or retrofitted to existing standard cabinetry.
- Single faucet hole.
- Rear drain increases workspace in the sink and storage space underneath.
- SilentShield® sound-absorption technology offers quieter performance.
- Includes installation hardware and compatibility template.

Material

- Handcrafted from 18-gauge stainless steel.

Installation

- Top-mount apron-front.

Recommended Products/Accessories

- K-6475 Sink Rack
- K-6377 Sponge Caddy
- K-6378 Kitchen Brush Caddy
- K-6379 Kitchen Squeegee
- K-6382 Disinfecting Wipes Dispenser
- K-6383 Soap Dispenser
- K-8618 Paper Towel Holder
- K-8619 Flexible Kitchen Mat
- K-8801 Sink Strainer
- K-8799 Sink Strainer
- K-8624 Dish Scraper

Optional Products/Accessories

- K-6429 Utility Rack
- K-6432 Saddle Towel Bar
- K-6434 Saddle Utility Rack

Included Components

Product consists of:

- 1130570 Hardware Kit, Self-Rimming
- 1173293 Hardware Kit, Side Clip

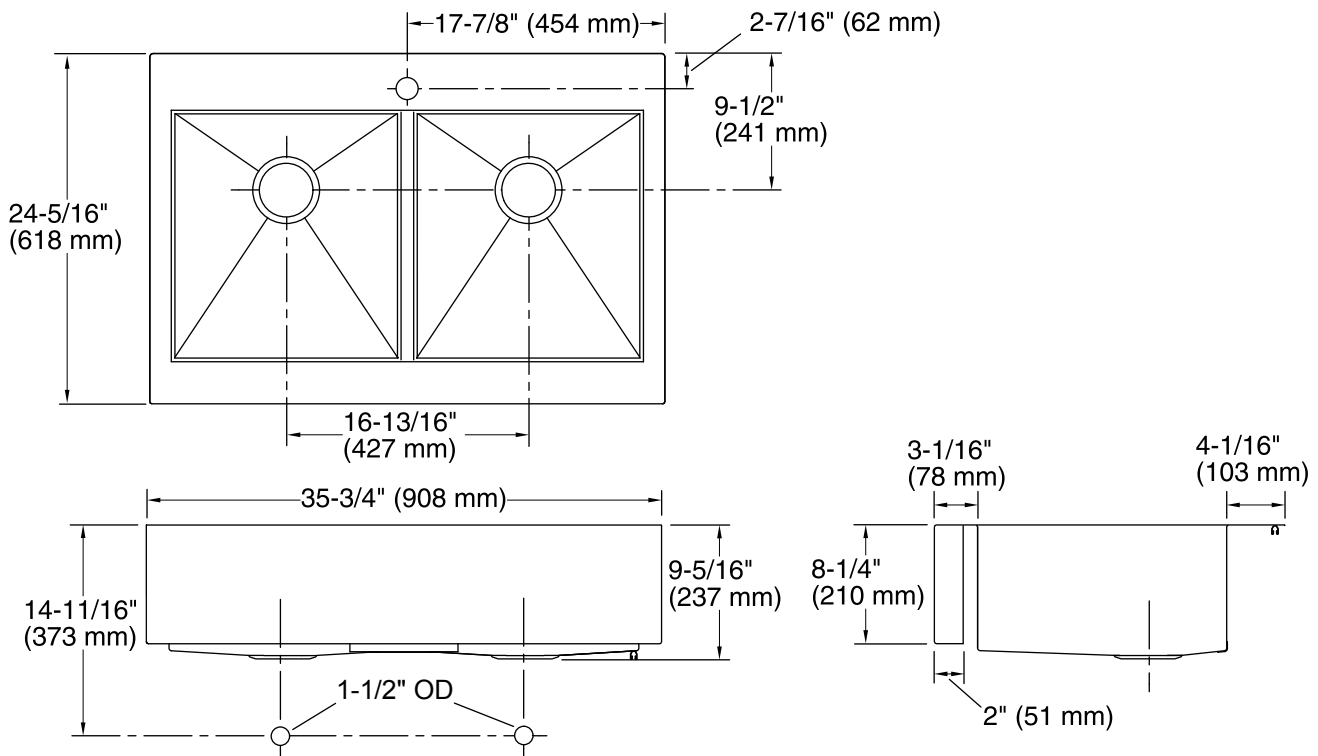


Codes/Standards

ASME A112.19.3/CSA B45.4

Lifetime Limited Warranty for KOHLER® Stainless Steel Sinks

See website for detailed warranty information.



Technical Information

All product dimensions are nominal.

- Bowl configuration: Double equal
- Installation: Top-mount
- Min. base cabinet width: 36" (914 mm)
- Bowl area (Left): Length: 17-3/16" (437 mm)
 Width: 15-11/16" (398 mm)
 Bowl depth: 9" (229 mm)
- Bowl area (Right): Length: 17-3/16" (437 mm)
 Width: 15-11/16" (398 mm)
 Bowl depth: 9" (229 mm)
- Number of deck holes: 1
- Faucet hole(s): 1-7/16" (37 mm)
- Drain hole: 3-5/8" (92 mm)
- Template: 1166717-7, required, included
 1178341, required, included

Notes

Install this product according to the installation instructions.