

## Features

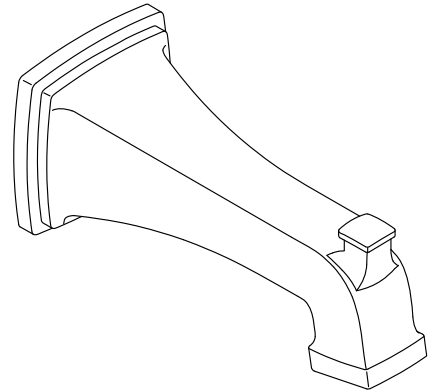
- Diverter spout with slip-fit connection.
- 6-1/16" (154 mm) spout reach.
- 1-1/4" (31.8 mm) max hole diameter.
- Coordinates with other products in the Riff collection.

## Material

- Premium metal construction for durability and reliability.
- KOHLER finishes resist corrosion and tarnishing.

## Installation

- Wall-mount.

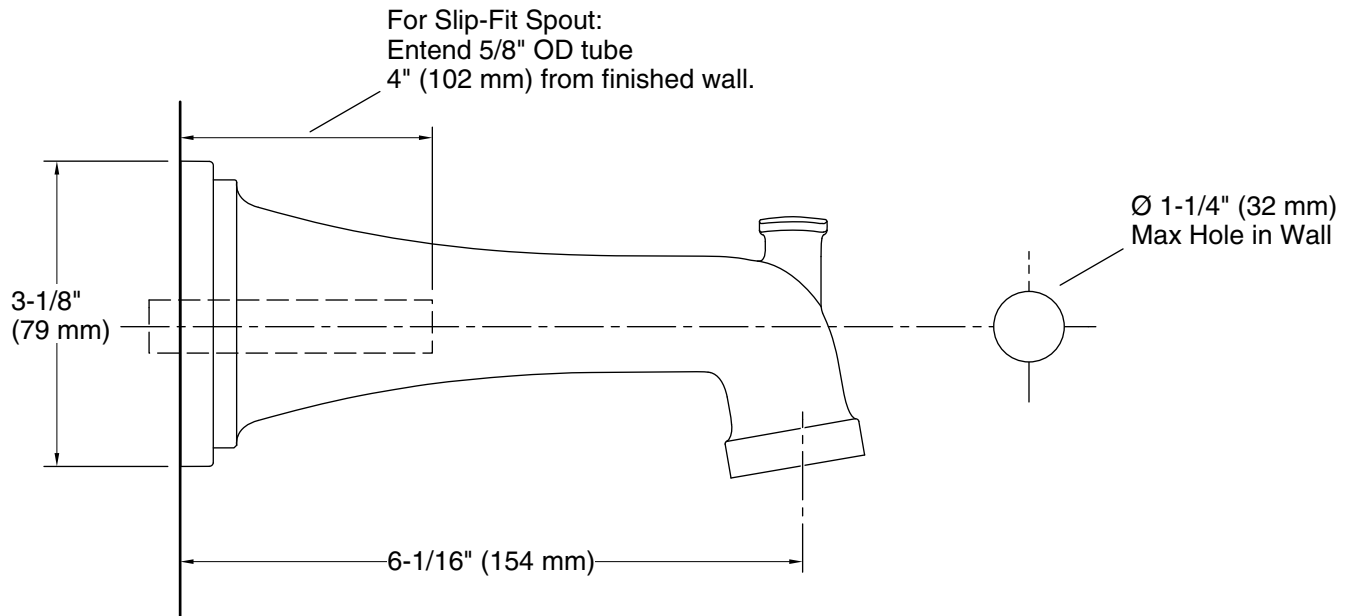


## Codes/Standards

ASME A112.18.1/CSA B125.1  
California Energy Commission (CEC)

## KOHLER® Faucet Lifetime Limited Warranty

See website for detailed warranty information.



## Technical Information

All product dimensions are nominal.

Drain included: No

### Spout:

Spout reach: 6-1/16" (154 mm)