

Features

- 4 Riverjets and 8 hydromassage jets can be individually adjusted for water flow and direction.
- 2 variable-speed pumps for adjusting massage intensity.
- Built-in heater.
- Lighted keypad.
- Floating remote control.
- Spacious design accommodates multiple bathers.
- Jet trim kit (required); sold separately.
- Waterfall pillow and two removable bath pillows.

Material

- Acrylic

Hydrotherapy

- RiverBath Whirlpool

Installation

- Drop-in

Required Products/Accessories

K-9398 Whirlpool Trim Kit

Recommended Products/Accessories

K-7167 Clearflo Bath Drain



Codes/Standards

ASME A112.19.7/CSA B45.10
CSA B45.5/IAPMO Z124
ASTM E162
ASTM E662
UL 1795
CSA C22.2 No. 218.2



**KOHLER® Plastic Baths and Receptors
Lifetime Limited Warranty
KOHLER® Hydrotherapy Components
Five-Year Limited Warranty**

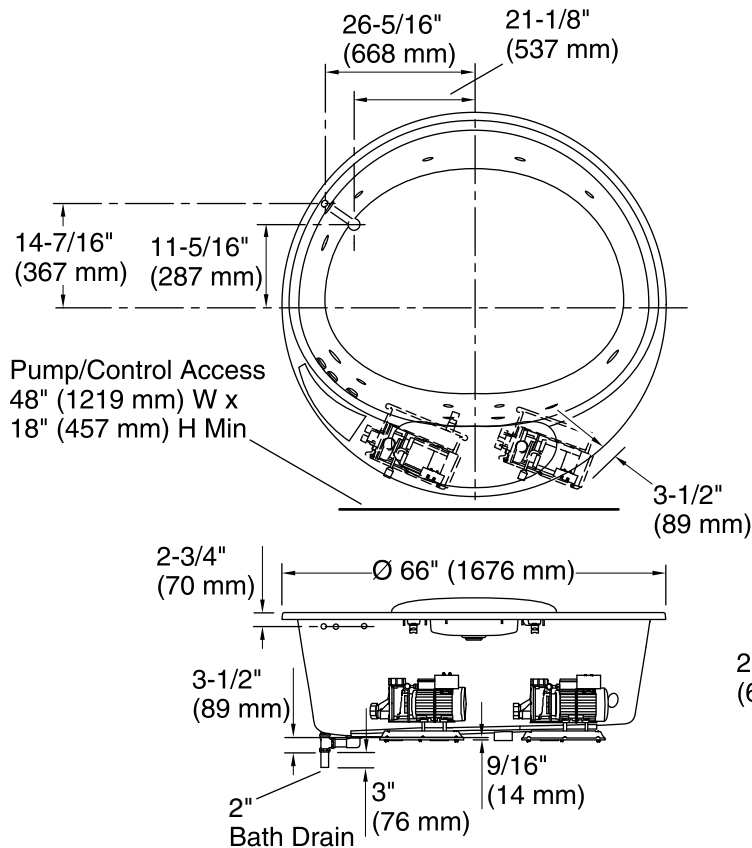
See website for detailed warranty information.

Available Colors/Finishes

Color tiles intended for reference only.

Color Code Description

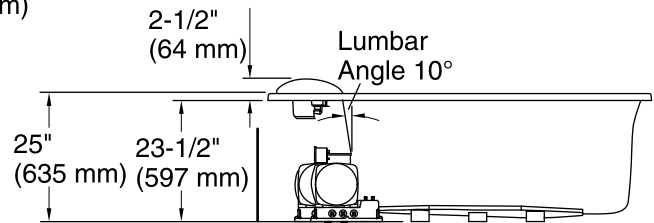
	0	White
	96	Biscuit



No change in measurements if connected with drain illustrated. (K-7167)

Drop-in cut-out Ø 64-1/2" (1638 mm)

□ Recommended Faucet Location



Required Electrical Service

Two dedicated circuits required, protected with Class A Ground-Fault Circuit-Interrupter (GFCI). Outside North America, this device may be known as a Residual Current Device (RCD).

Pump, Pump: 240 V, 20 A, 50/60 Hz
 Heater: 240 V, 20 A, 50/60 Hz

Technical Information

All product dimensions are nominal.

Installation: Drop-in
 Drain location: Center
 Basin area, bottom: 54-1/2" x 44" (1384 mm x 1118 mm)
 Basin area, top: 61-5/8" x 54-1/2" (1565 mm x 1384 mm)
 Weight: 260 lbs (117.9 kg)
 Minimum floor load: 54 lbs/ft² (263.7 kg/m²)
 Water depth: 19" (483 mm)
 Water capacity: 196 gal (741.9 L)
 Template: Drop-in, 1006705-7, required, included
 Electrical component rating: Pump: 240 V, 9 A, 50/60 Hz
 Pump: 240 V, 9 A, 50/60 Hz
 Heater: 240 V, 17 A, 50/60 Hz, 4000 W
 Pump speed: Variable

Notes

Measure your actual product for rough-in details. Install this product according to the installation instructions.

The hot water supply should be 70% of the capacity of the bath or greater. Installations will vary.

If installing a rim-mount faucet, make sure there is no interference above or below the deck before drilling any holes.

If installing a rim-mount faucet, make sure there is no interference above or below the deck before drilling any holes.