

Features

- Generous 6-foot oval shape provides an incredibly spacious bathing area.
- Molded lumbar support and armrests offer extra comfort while bathing.
- End drain.
- Under-mountable

Material

- Acrylic

Installation

- Drop-in or under-mount.

Additional Hydrotherapy Options

- Soaking Bath - 1165-0
- Soaking Bath + Bask heated surface - 1165-W1
- BubbleMassage air bath - 1164-G
- Whirlpool - 1164-0
- Whirlpool + heater - 1164-H
- Whirlpool + Bask heated surface - 1164-W1

Recommended Products/Accessories

K-577 Under-Mount Installation Kit
K-1491 Bath/Whirlpool Pillow
K-1601 Bath/Whirlpool Footstop
K-11677 Bath Drain
K-24916 Wireless Music Kit
K-7213 27" Cable Bath Drain
K-7214 27" Cable Bath Drain
K-7259 Clearflo Bath Drain
K-37382 45" Rough-in Cable Bath Drain



Codes/Standards





CSA B45.5/IAPMO Z124
ASTM E162
ASTM E662

KOHLER® Plastic Baths and Receptors Lifetime Limited Warranty

See website for detailed warranty information.

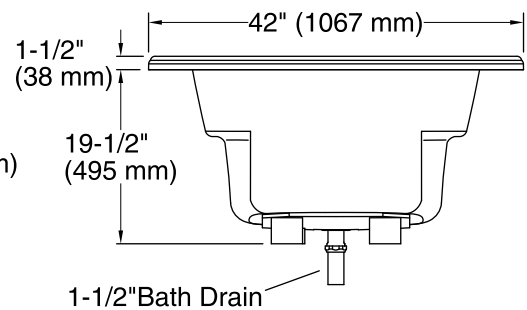
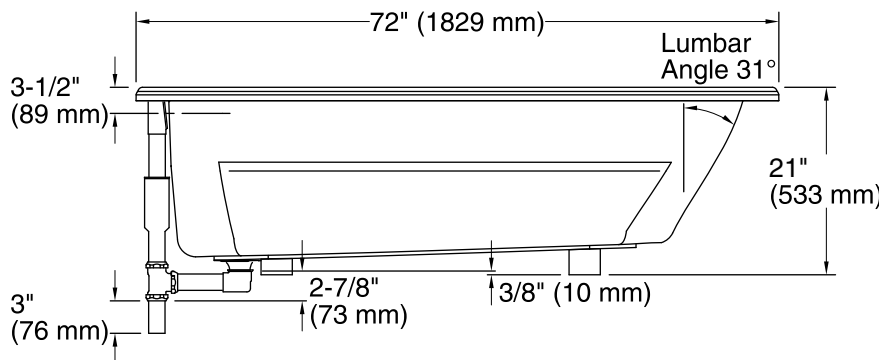
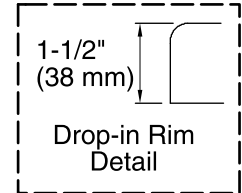
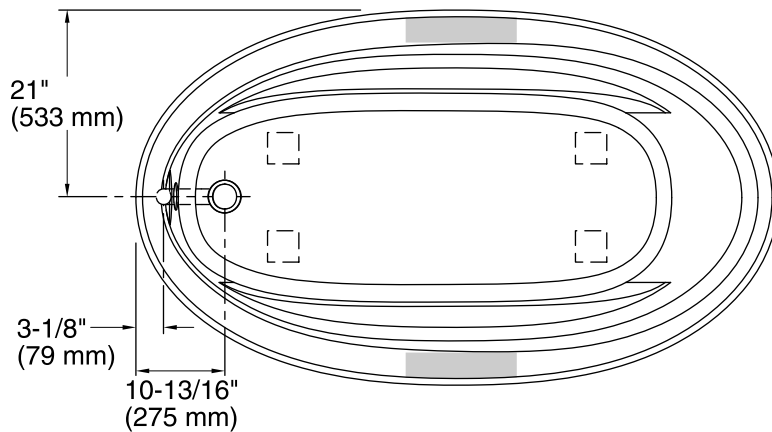
Available Colors/Finishes

Color tiles intended for reference only.

Color	Code	Description
	0	White
	96	Biscuit
	47	Almond
	G9	Sandbar

No change in measurements if connected with drain illustrated. (K-11677)

■ Recommended faucet area



Technical Information

All product dimensions are nominal.

Installation:	Drop-in
Drain location:	End
Basin area, bottom:	55-1/4" x 23-1/2" (1403 mm x 597 mm)
Basin area, top:	64-1/2" x 32" (1638 mm x 813 mm)
Weight:	93 lbs (42.2 kg)
Minimum floor load:	36 lbs/ft ² (175.8 kg/m ²)
Water depth:	15" (381 mm)
Water capacity:	75 gal (283.9 L)
Template:	Drop-in, 1042557-7, required, included

Notes

Measure your actual product for rough-in details. Install this product according to the installation instructions.

The hot water supply should be 70% of the capacity of the bath or greater. Installations will vary.