

Features

- Oval shape creates a graceful and spacious bathing experience.
- Molded lumbar support and armrests offer extra comfort while bathing.
- End drain.
- Under-mountable
- Textured bottom surface.

Material

- Acrylic

Installation

- Drop-in or under-mount.

Additional Hydrotherapy Options

- Soaking Bath - 1163-0
- Soaking Bath + Bask heated surface - 1163-W1
- BubbleMassage air bath - 1162-G
- Whirlpool - 1162-0
- Whirlpool + heater - 1162-H
- Whirlpool + Bask heated surface - 1162-W1

Recommended Products/Accessories

K-576 Under-Mount Installation Kit
K-1491 Bath/Whirlpool Pillow
K-1601 Bath/Whirlpool Footstop
K-11677 Bath Drain
K-24916 Wireless Music Kit
K-7213 27" Cable Bath Drain
K-7214 27" Cable Bath Drain
K-7265 Clearflo Bath Drain



Codes/Standards






CSA B45.5/IAPMO Z124

KOHLER® Plastic Baths and Receptors Lifetime Limited Warranty

See website for detailed warranty information.

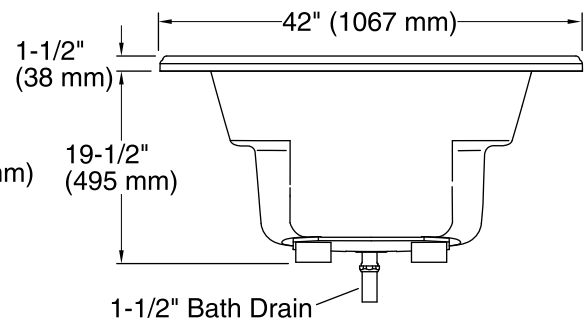
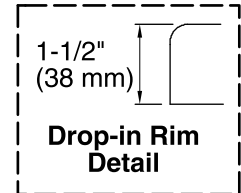
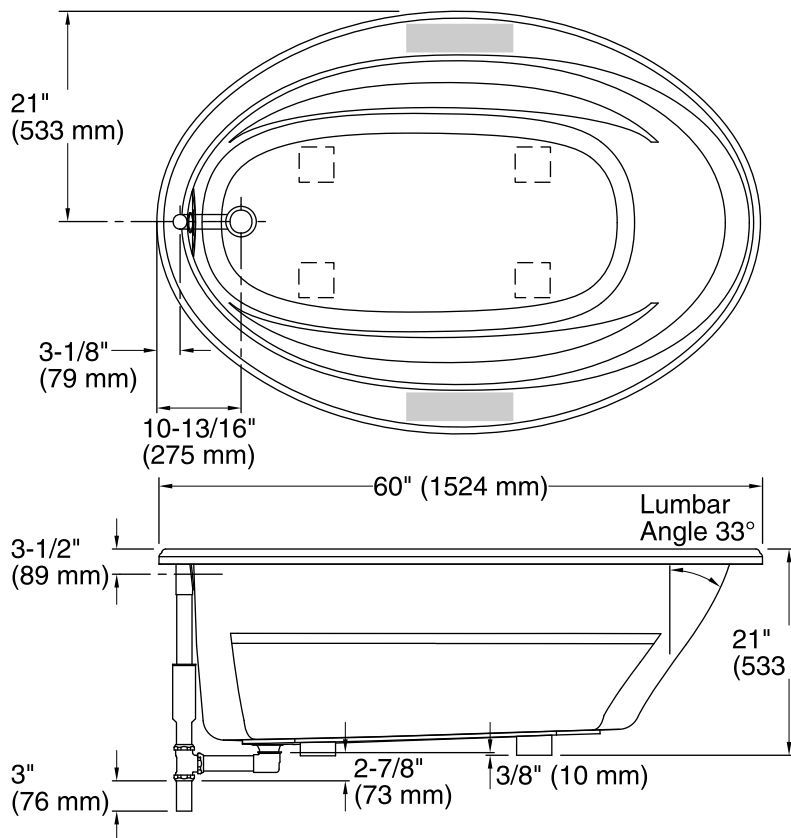
Available Colors/Finishes

Color tiles intended for reference only.

Color	Code	Description
	0	White
	96	Biscuit
	47	Almond
	NY	Dune
	G9	Sandbar

No change in measurements if connected with drain illustrated. (K-11677)

■ Recommended faucet area



Technical Information

All product dimensions are nominal.

Installation:	Drop-in
Drain location:	End
Basin area, bottom:	43" x 21-9/16" (1092 mm x 548 mm)
Basin area, top:	53-1/2" x 32-1/8" (1359 mm x 816 mm)
Weight:	75 lbs (34 kg)
Minimum floor load:	33 lbs/ft ² (161.1 kg/m ²)
Water depth:	15" (381 mm)
Water capacity:	57 gal (215.8 L)
Template:	Drop-in, 1042556-7, required, included

Notes

Measure your actual product for rough-in details. Install this product according to the installation instructions.

The hot water supply should be 70% of the capacity of the bath or greater. Installations will vary.

Kit is required for under-mount installations (sold separately).