

# Installation Instructions

## Sliding Shower Door

Record your model number:  
Noter le numéro de modèle:  
Anoté su número de modelo: \_\_\_\_\_

Français, page 37  
Español, página 72

**KOHLER**®

# Thank You for Choosing KOHLER

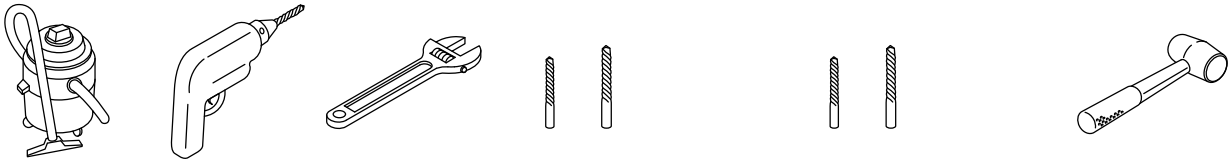
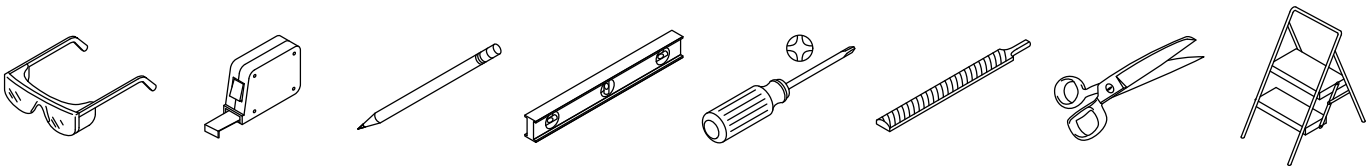
---

Need help? Contact our Customer Care Center.

- USA/Canada: 1-800-4KOHLER (1-800-456-4537) Mexico: 001-800-456-4537
- Service parts: [kohler.com/serviceparts](http://kohler.com/serviceparts)
- Care and cleaning: [kohler.com/clean](http://kohler.com/clean)
- Patents: [kohlercompany.com/patents](http://kohlercompany.com/patents)

## Tools and Materials

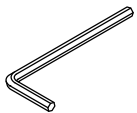
---



5/16", 1/4" Masonry Bits for Tile: 5/16", 1/4" Rubber Mallet



Miter Box 32-Teeth Per Inch Blade Masking Tape 100% Silicone Sealant 2 mm, 3 mm Hex Wrenches




5/32" Hex Wrench

### Plus:

- Metal-Cutting Chop Saw or Cut-Off Saw
- Spray Bottle

## Before You Begin

---

-  **WARNING: Risk of serious injury.** Damage before installation can result in glass shattering. Inspect the glass and all parts for damage before installation.
-  **WARNING: Risk of serious injury.** Improper installation can result in glass shattering. Follow all installation instructions.
-  **WARNING: Risk of serious injury.** Do not cut tempered glass. Tempered glass will shatter if cut.
-  **WARNING: Risk of serious injury.** Shower door and side panels can shatter. Regularly inspect the glass and all parts for damage, missing, or loose parts.
-  **WARNING: Risk of serious injury.** Always wear safety glasses while cutting and drilling.
-  **WARNING: Risk of product and property damage.** This shower door is very heavy. Do not install the door to plastic shower modules or drywall unless additional support is provided behind the wall jamb bumpers.
-  **CAUTION: Risk of personal injury.** Tempered glass should not contact hard surfaces or the tempered glass may shatter. Do not touch the edge of the tempered glass panel with tools or any hard objects.

**IMPORTANT!** Leave this manual for the end user. Read all instructions before installing or using this product.

**IMPORTANT!** This door is designed to accommodate walls that are less than 3/8" (10 mm) out of plumb. Verify that the area that the door will be attached to is within 3/8" (10 mm) of plumb. The door may not function properly if the wall is more than 3/8" (10 mm) out of plumb.

**IMPORTANT!** Do not remove the corner protectors from the door panels until the door panels are installed.

Cover the drain with tape to prevent the loss of small parts.

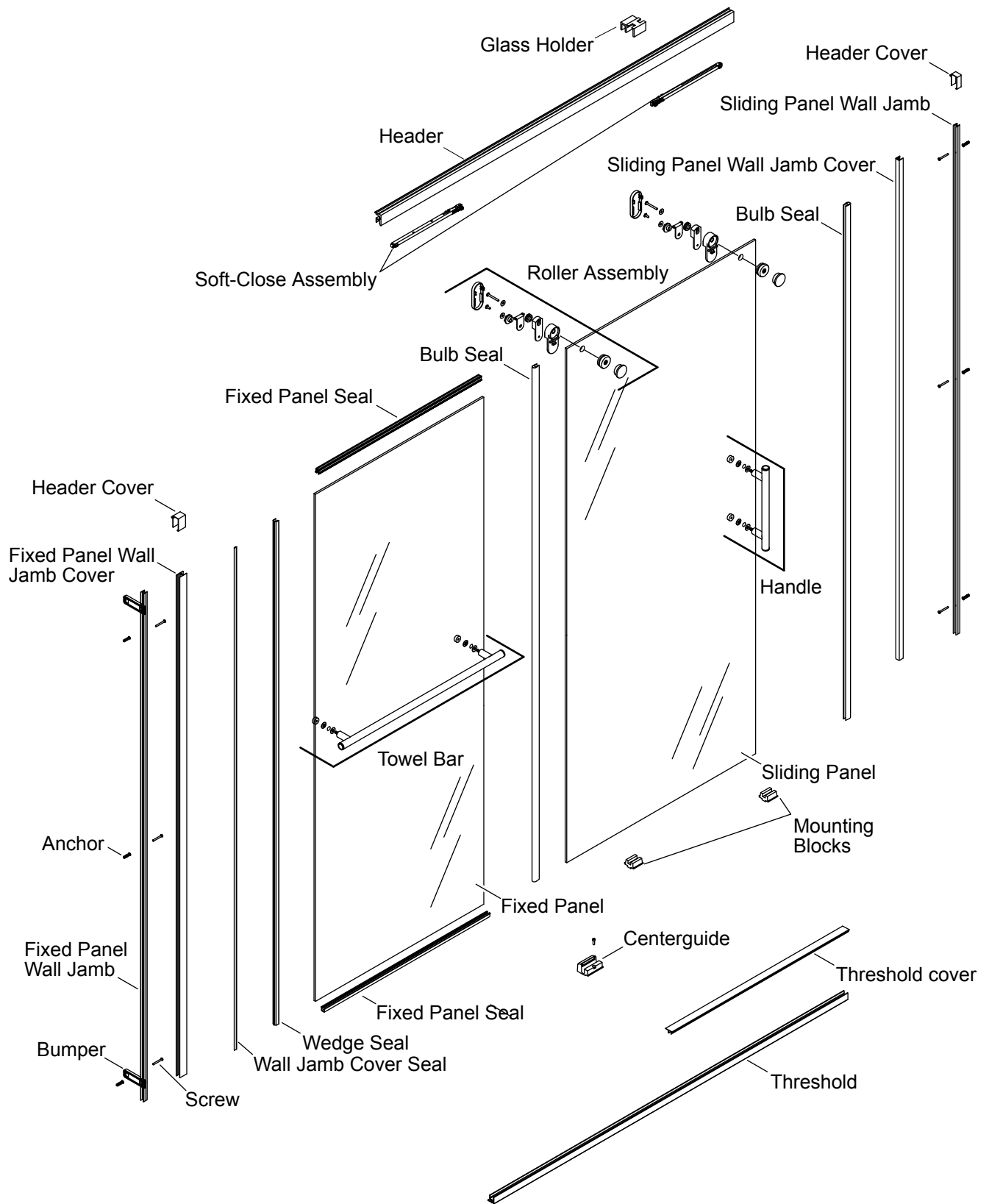
Identify all parts before installation. Inspect for damage.

Follow the silicone sealant manufacturer's instructions for application and curing time.

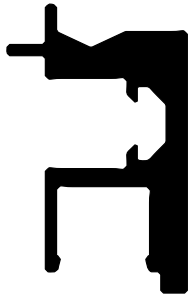
Two people should perform this installation.

The fixed panel should be installed on the opposite side of the showerhead.

# Parts Identification



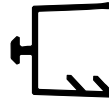
# Parts List



Header (Qty 1)



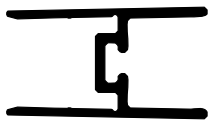
Threshold (Qty 1)



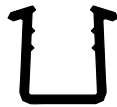
Wall Jamb Cover Seal (Qty 1)



Wall Jamb (Qty 1)



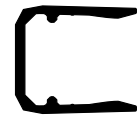
Fixed Panel Wall Jamb Cover (Qty 1)



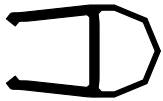
Fixed Panel Seal (Qty 2)



Wedge Seal (Qty 1)



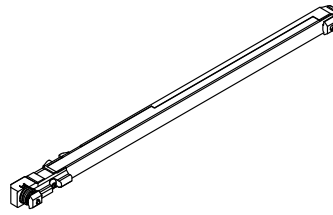
Sliding Panel Wall Jamb Cover (Qty 1)



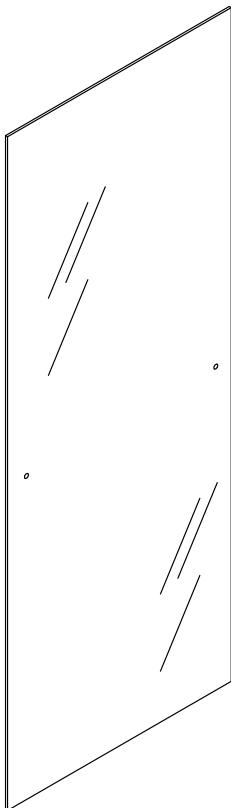
Bulb Seal (Qty 2)



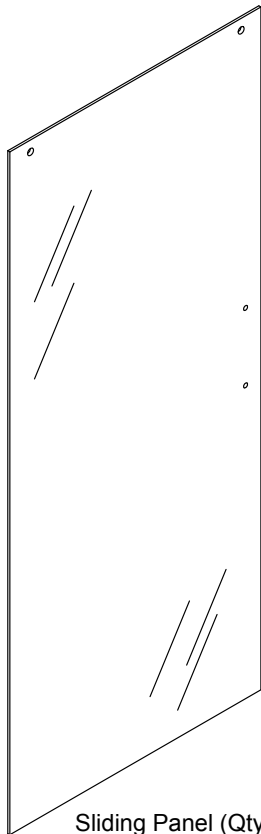
Threshold Cover (Qty 1)



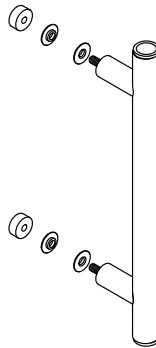
Soft-Close Assembly (Qty 2)



Fixed Panel (Qty 1)



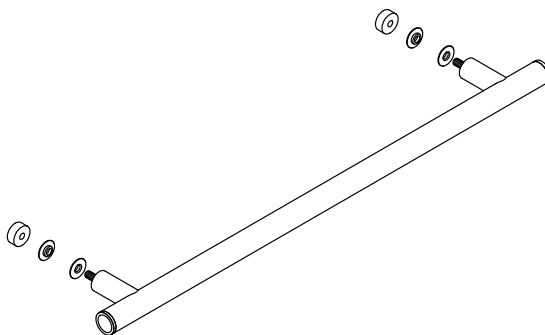
Sliding Panel (Qty 1)



Handle (Qty 1)

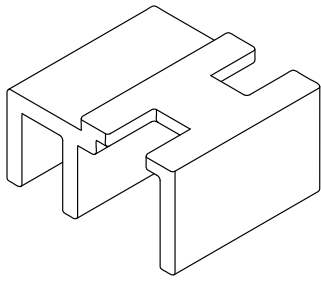


Fixed Panel Wall Jamb (Qty 1)

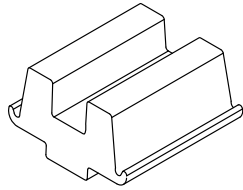


Towel Bar (Qty 1)  
(Optional)

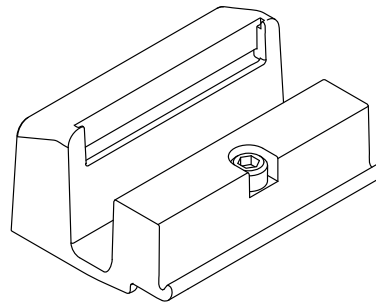
# Parts List (Continued)



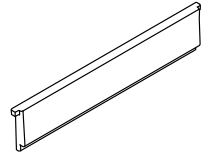
Glass Holder (Qty 1)



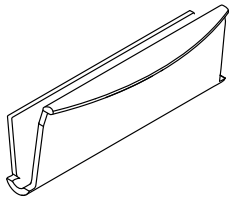
Mounting Block (Qty 2)



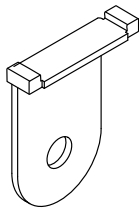
Centerguide (Qty 1)



Centerguide Insert (Qty 1)



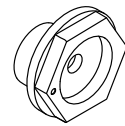
Centerguide Spring (Qty 1)



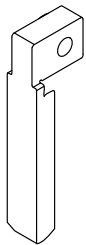
Roller Gasket (Qty 2)



Wheel Cam (Qty 2)



Glass Cam (Qty 2)



L-Bracket (Qty 2)



Pre-assembly Nut (Qty 2)



Washer (Qty 4)



Lock Washer (Qty 4)



8-18 x 1-1/2" Screw (Qty 6)



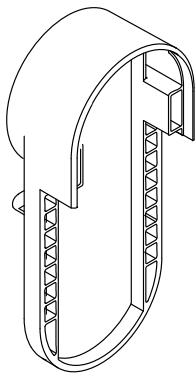
M5.8 x 45 mm Screw (Qty 2)



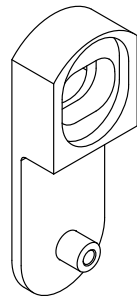
M5.8 x 12 mm Screw (Qty 2)



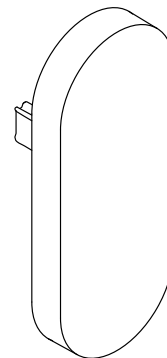
10-24 X 1/2" Screw (Qty 2)



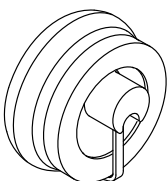
Front Roller Assembly Cover (Qty 2)



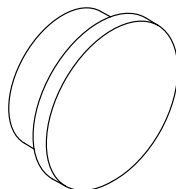
Roller Assembly Bracket (Qty 2)



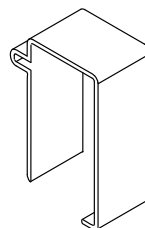
Rear Roller Assembly Cover (Qty 2)



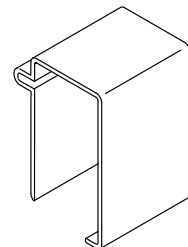
Roller Assembly (Qty 2)



Roller Cover (Qty 2)



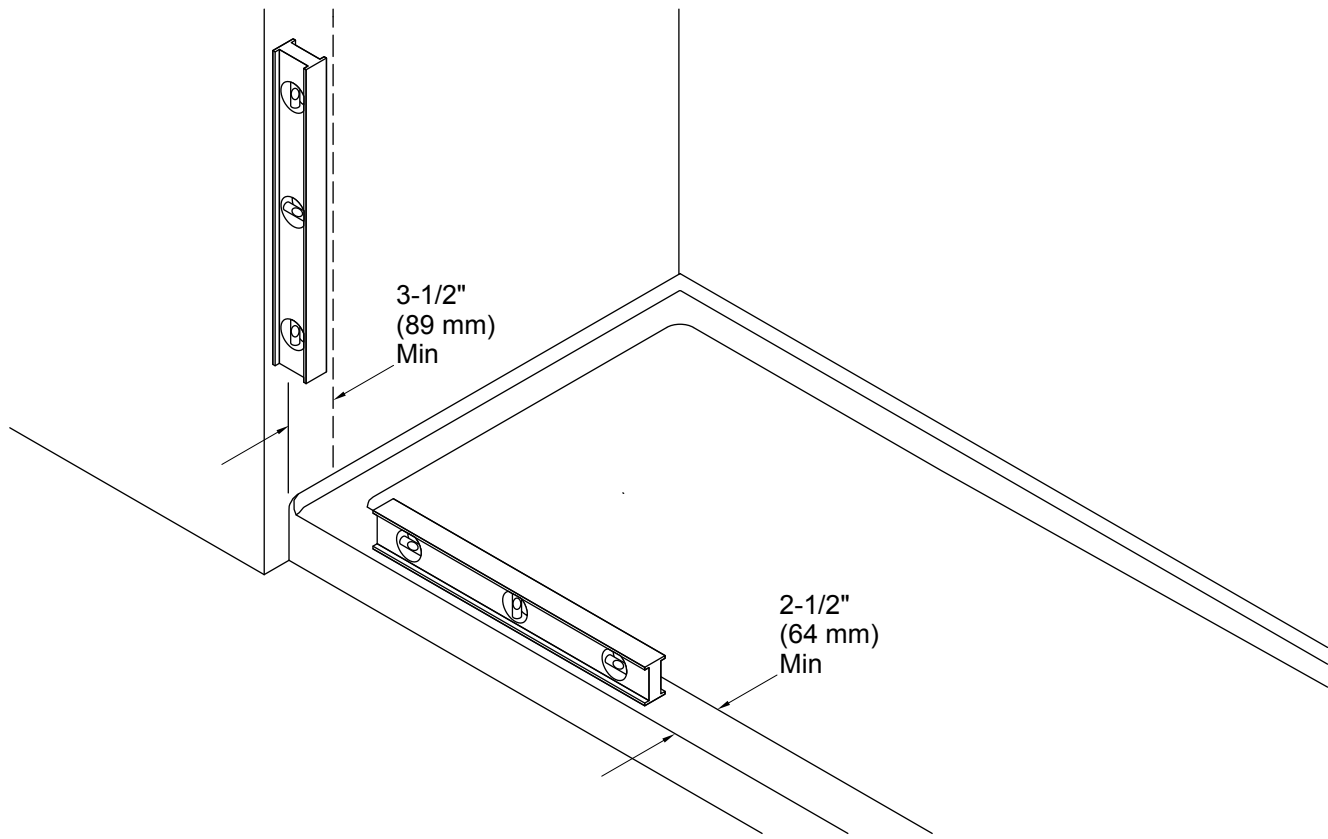
Wide Header Cover (Qty 1)



Thin Header Cover (Qty 1)

## 1. Confirm Shower Base/Bath Ledge and Wall Compatibility

---



**IMPORTANT!** For proper door alignment and operation, confirm that the shower base/bath ledge and walls meet the following requirements. Do not install the door if these requirements are not met.

There must be at least 3-1/2" (89 mm) of flat surface on the shower/bath walls.

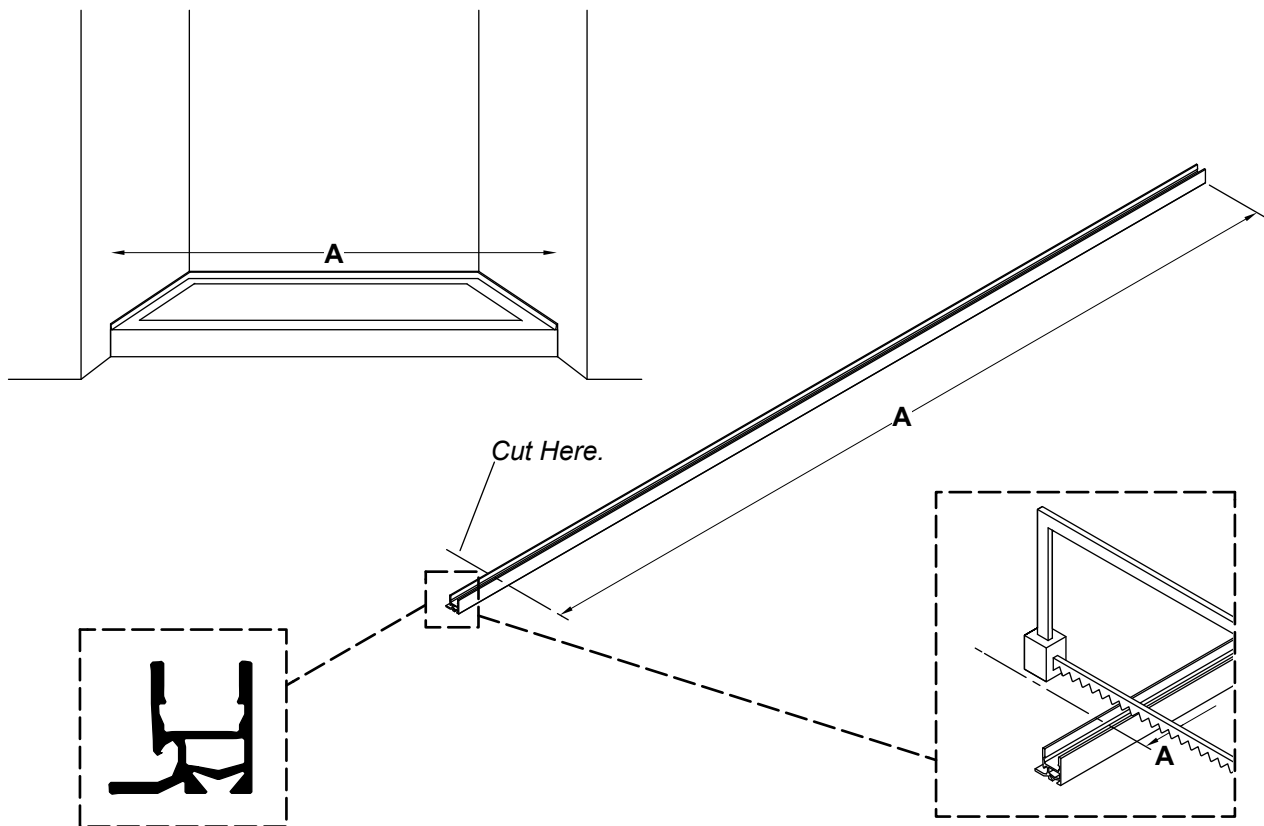
There must be at least 2-1/2" (64 mm) of flat surface on the shower base/bath ledge.

Walls must be within 3/8" (10 mm) of plumb.

The shower base/bath ledge must be level between the walls.

## 2. Measure and Cut the Threshold

---



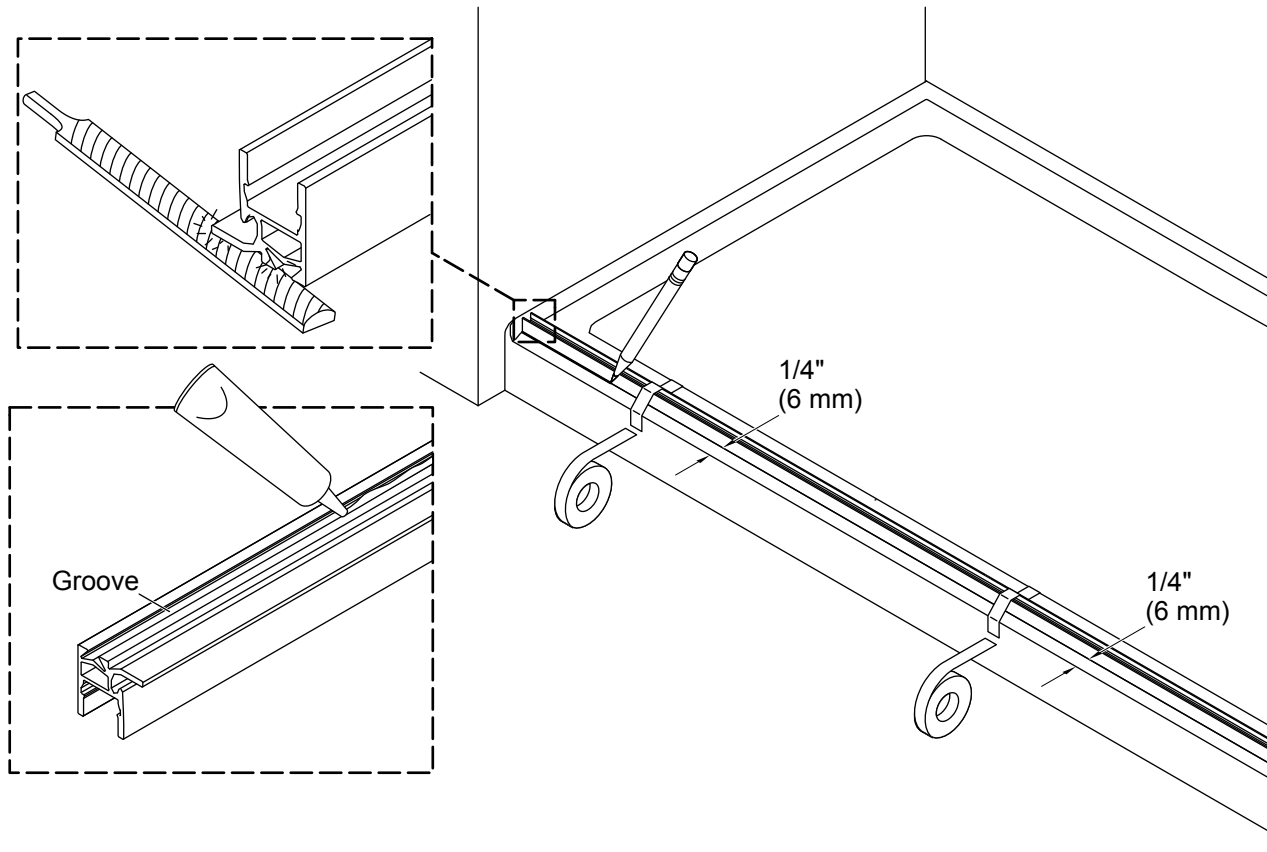
**⚠ WARNING: Risk of serious injury.** Always wear safety glasses while cutting and drilling.

- Use a drop cloth to protect the shower surface.
- Measure distance "A" between the shower walls and mark the distance on the threshold.
- Cut the threshold at the marked line and file any rough edges.



### 3. Position the Threshold

---

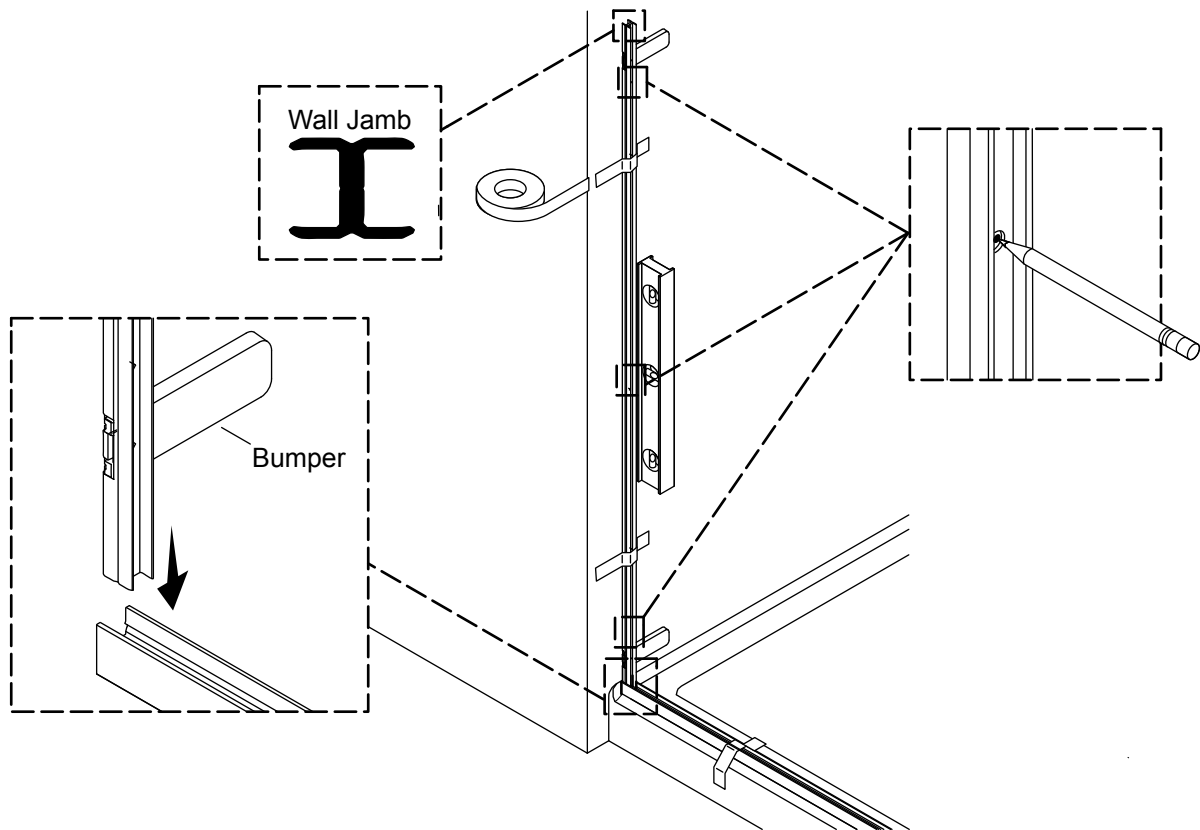


**NOTICE:** The threshold must sit on a flat surface.

- If needed, file the ends of the threshold to match the corner radius of the shower wall.
- Align the threshold 1/4" (6 mm) from the shower base/bath ledge along the entire length and mark the location.
- Apply 100% silicone sealant into the groove on the bottom of the threshold.
- Reposition the threshold at the previously marked location and tape securely into place.

## 4. Prepare the Wall Jambs

---



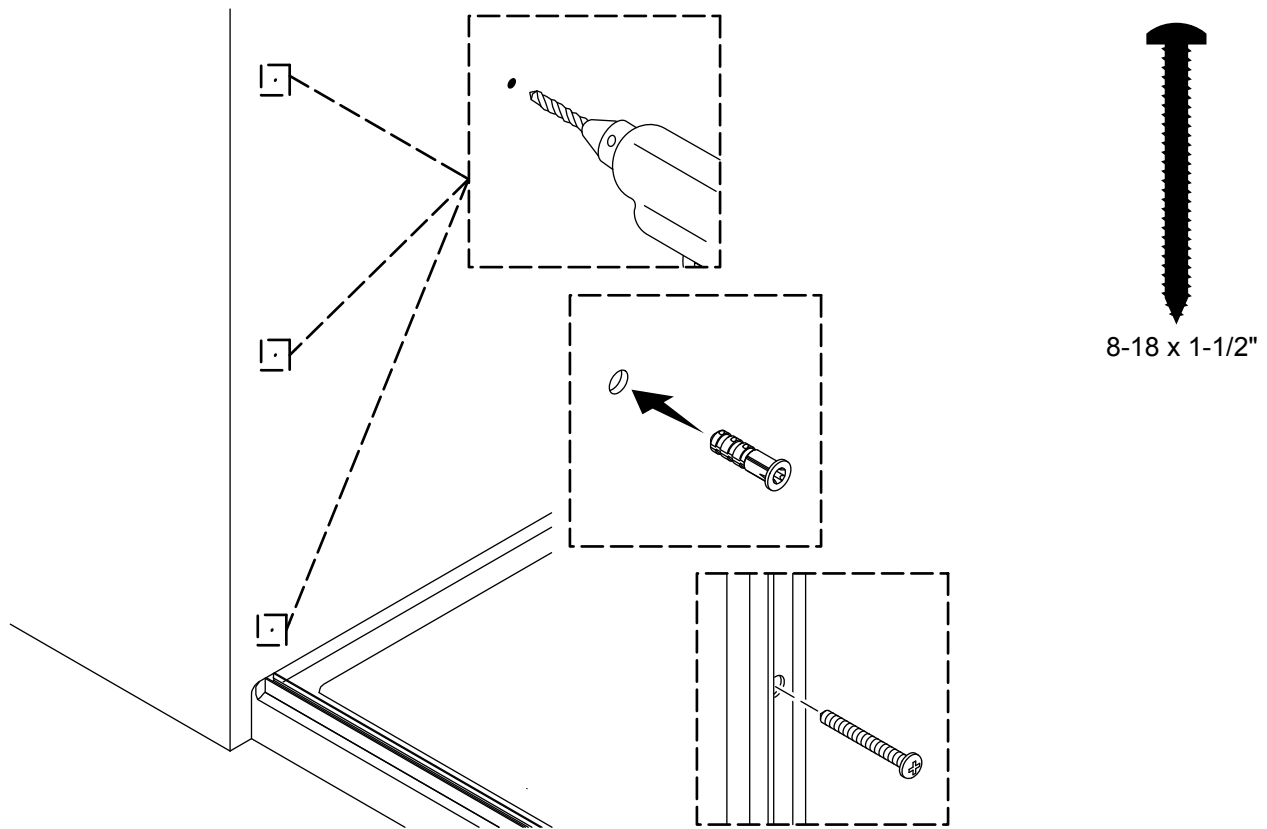
**IMPORTANT!** The wall jamb must fit tightly against the threshold and wall.

**IMPORTANT!** The wall jamb that contains the bumpers will install on the fixed panel side.

- Position the wall jamb in the threshold, against the wall, with the bumpers pointing into the shower.
- Plumb the wall jamb.
- Tape the wall jamb securely in place and mark the wall jamb location.
- Repeat for the second wall jamb.
- Verify that the threshold is still aligned with the previously marked location.
- Mark the anchor hole locations on each wall jamb with a pencil.
- Remove both wall jambs and set the wall jambs aside.

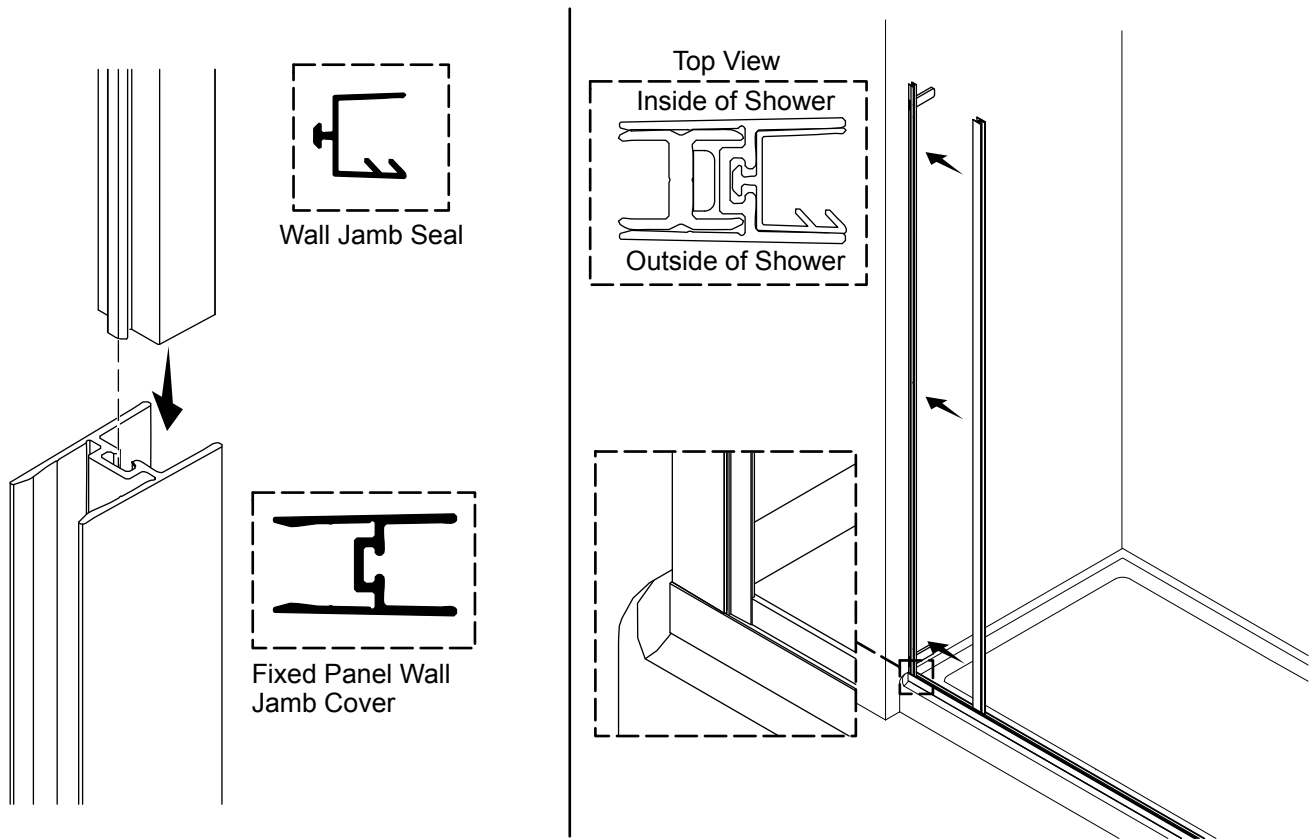
## 5. Install the Wall Jambs

---



- Drill a 1/4" hole at each marked location. Use a masonry bit for tile walls.
- Install the provided wall anchors. If necessary, gently tap the anchors until the anchors are flush against the wall.
- Thoroughly clean the shower base and walls.
- Reposition the wall jamb, aligning with the anchor holes. Verify that the wall jamb is plumb.
- Secure the wall jamb with three #8-18 x 1-1/2" screws.
- Repeat for the second wall jamb.

## 6. Install the Fixed Panel Wall Jamb Cover



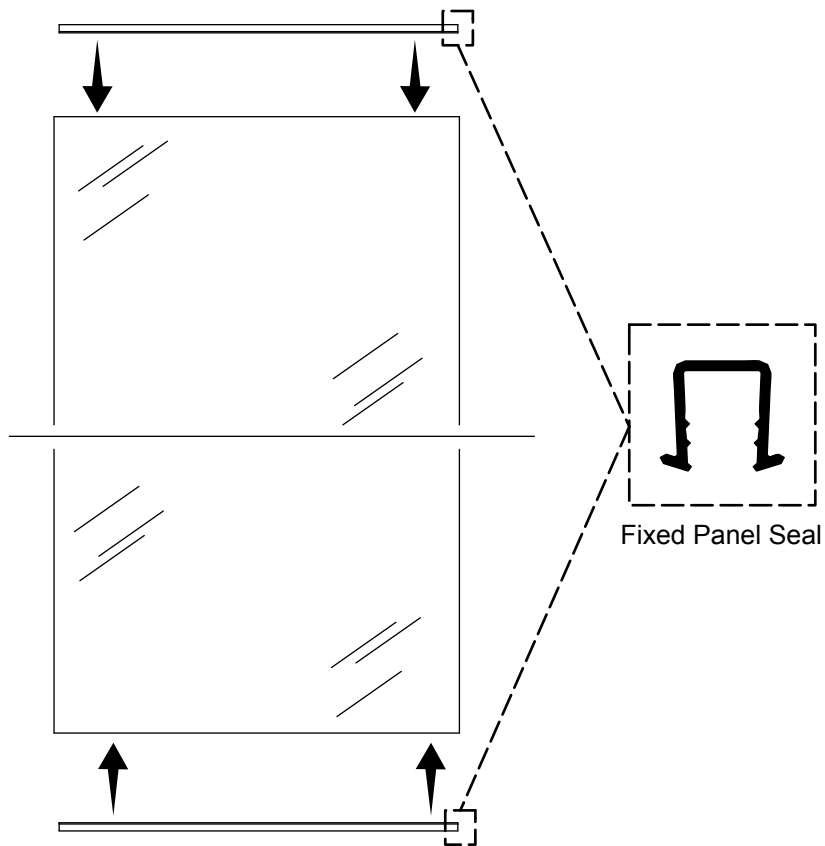
**NOTE:** The bottom of the fixed panel wall jamb cover must rest on the threshold ledge.

**NOTE:** The wall jamb seal will extend down into the channel in the threshold.

- Slide the wall jamb seal into the fixed panel wall jamb cover.
- Press the fixed panel wall jamb cover onto the fixed panel wall jamb. If needed, use a rubber mallet to install the fixed panel wall jamb cover.

## 7. Install the Fixed Panel Seals

---



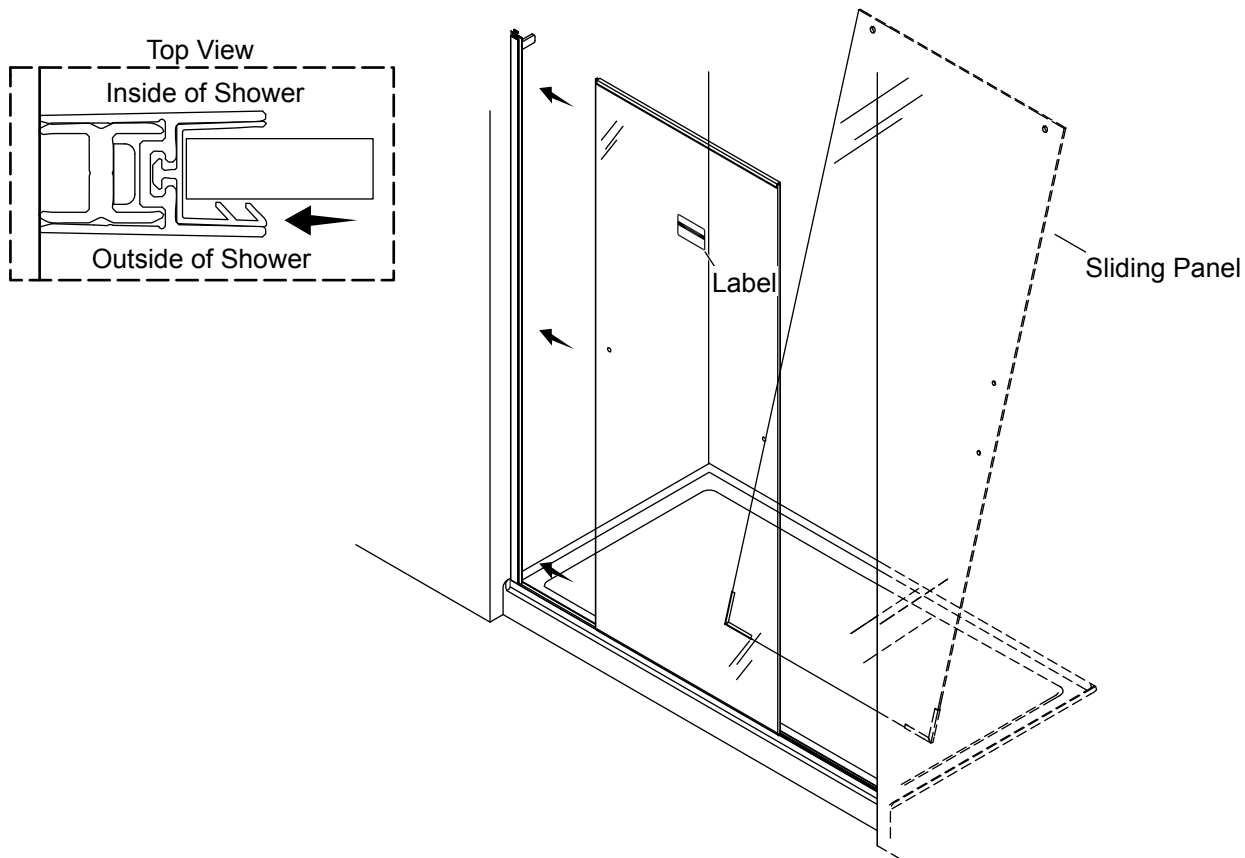
**IMPORTANT!** The seals must align with the edge of the fixed panel that points away from the wall.

**NOTE:** The two fixed panel seals are the same.

- Remove the corner protectors from the fixed panel.
- Press the fixed panel seals onto the top and bottom of the fixed panel.

## 8. Install the Fixed Panel

---



**IMPORTANT!** The sliding panel must be moved into the shower area before the header is installed.

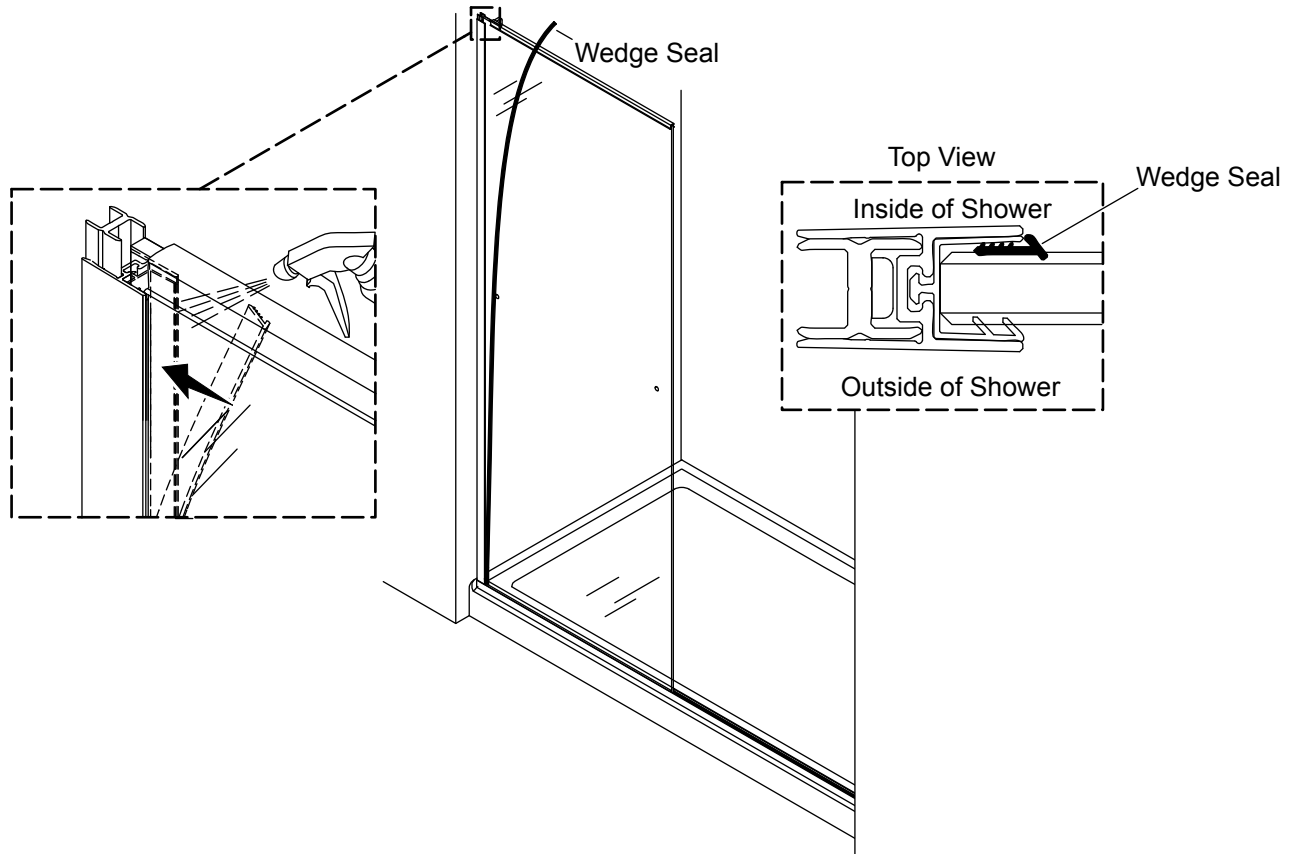
**IMPORTANT!** The label on the fixed panel must face the outside of the shower.

**NOTE:** Do not remove the corner protectors from the sliding panel.

**NOTE:** The sliding panel will remain in the shower area until installation in the "Install the Sliding Panel" section.

- With help, move the sliding panel completely into the shower area.
- Remove the tape from the threshold.
- Insert the fixed panel into the fixed panel wall jamb cover and threshold.
- Verify that the fixed panel is fully seated in the threshold and fully pressed into the fixed panel wall jamb cover.

## 9. Install the Wedge Seals



**⚠ CAUTION: Risk of product damage.** Do not use sharp objects to push the wedge seals into place.

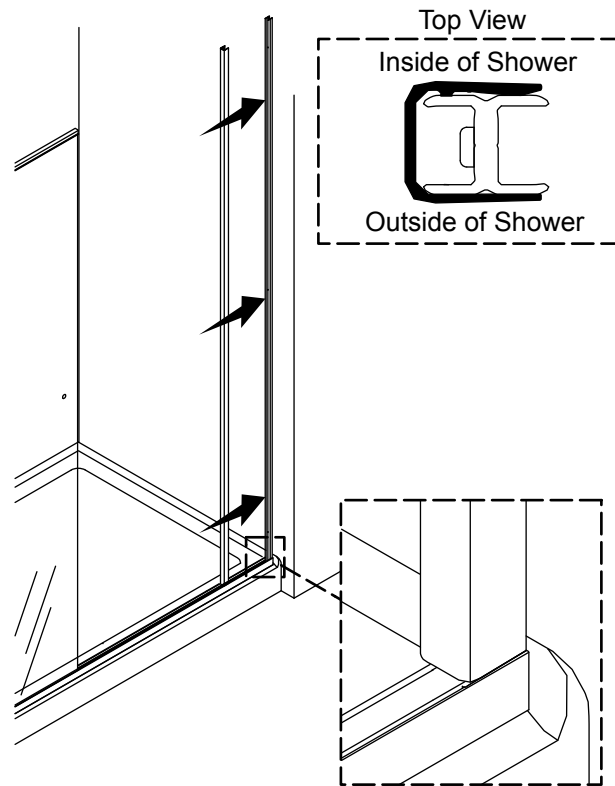
**NOTE:** The glass holder can be used to push the wedge seal into the wall jamb cover.

**NOTE:** Water can be used to help insert the wedge seal fully into the wall jamb cover.

- Measure from the fixed panel seal that is in the threshold to the top of the fixed panel wall jamb cover and cut the wedge seal to that length.
- Starting at the bottom, push the wedge seal completely between the fixed panel wall jamb cover and the fixed panel, as shown.
- Trim any excess length of the wedge seal.

## 10. Install the Sliding Panel Wall Jamb Cover

---



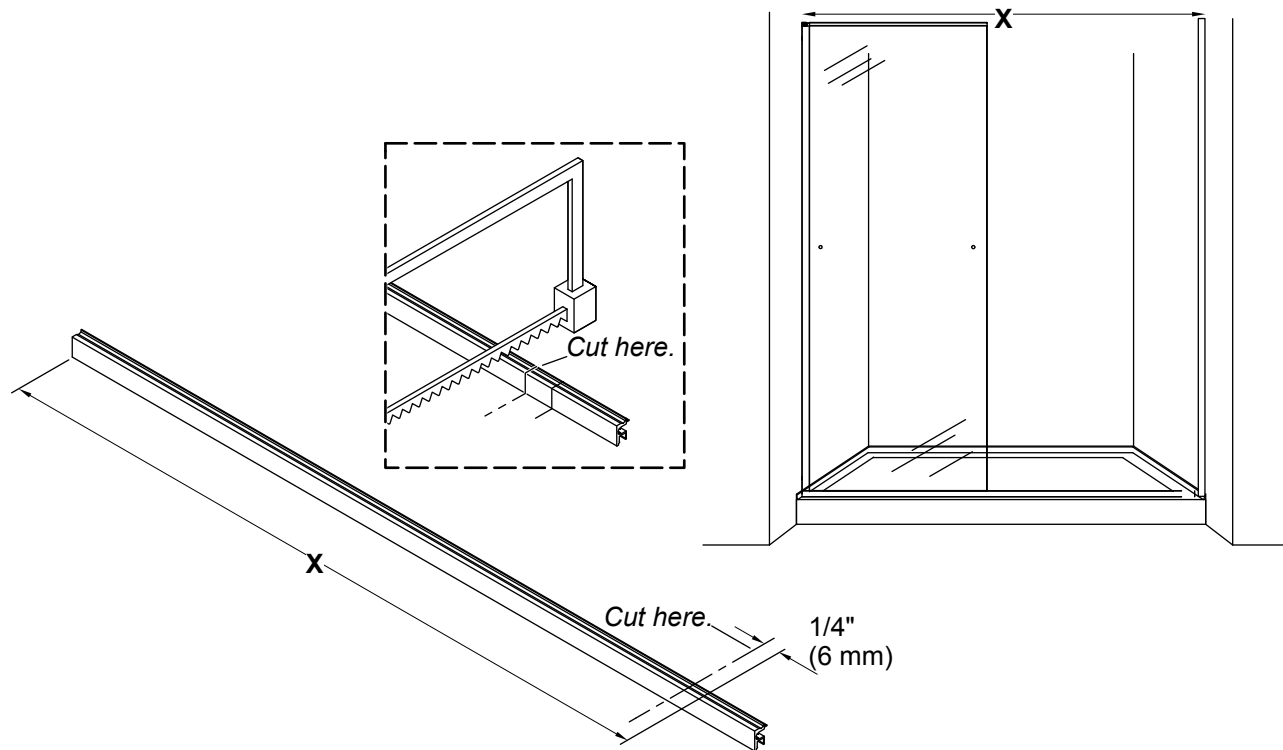
**NOTE:** The bottom of the sliding panel wall jamb cover must rest on the threshold ledge.

- Press the sliding panel wall jamb cover onto the sliding panel wall jamb. If needed, use a rubber mallet to install the sliding panel wall jamb cover.



## 11. Measure and Cut the Header

---

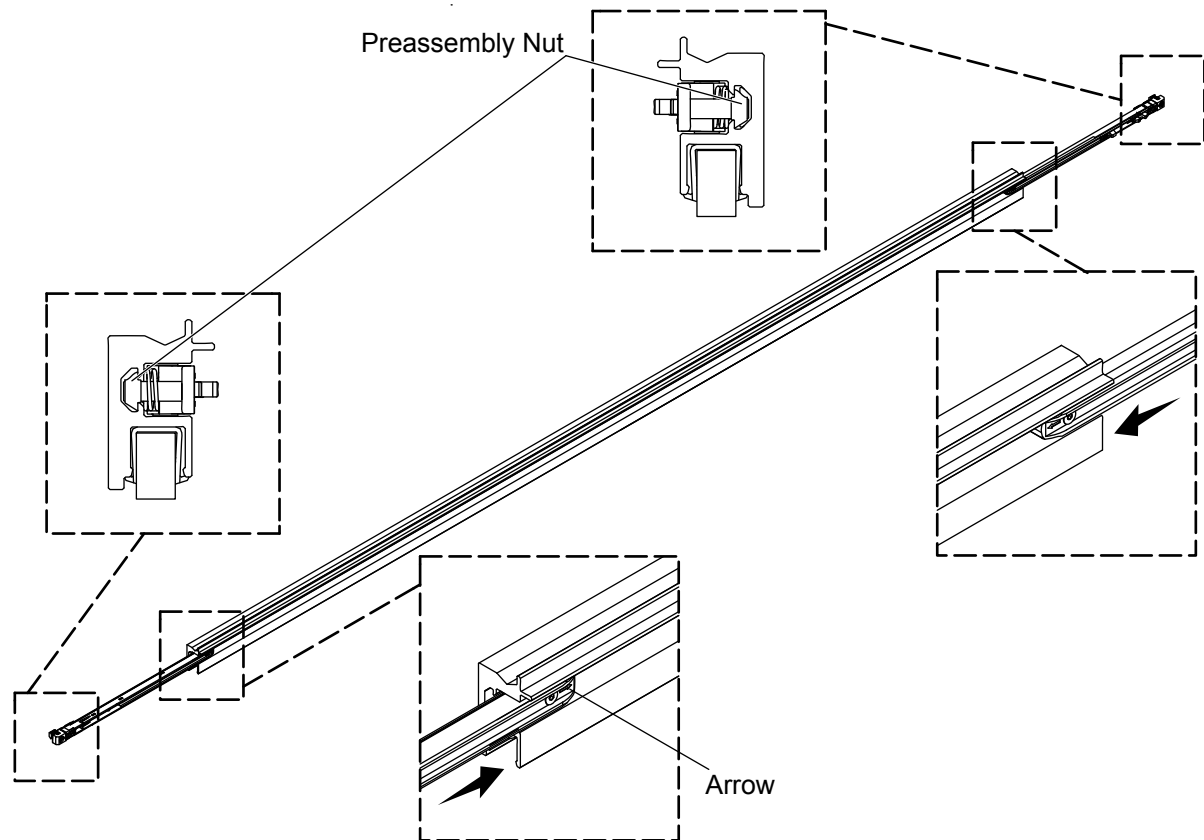


**IMPORTANT!** Confirm your measurements before cutting. Do not cut the header too short.

- Measure distance "X" between the shower walls and mark the distance on the header.
- Subtract 1/4" (6 mm) from "X" and make a second mark on the header, as shown.
- Cut the header at the second mark.
- File any rough edges and clean debris from the roller tracks.

## 12. Assemble the Header

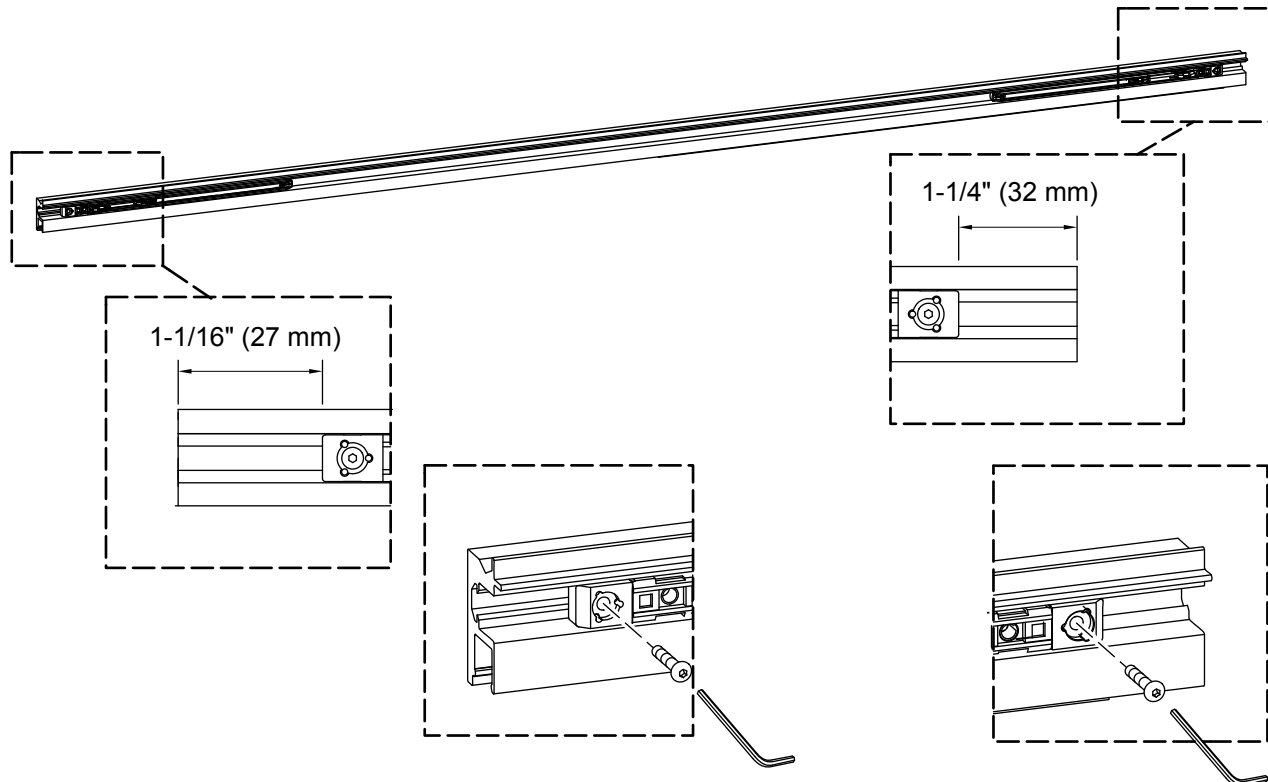
---



- Begin sliding a soft-close assembly into one side of the header. The arrow indicates the correct direction, as shown.
- Verify that the preassembly nut is seated into the center channel of the header.
- Continue sliding the soft-close assembly into the header, compressing the spring if needed to guide the spring into the header channel, as shown.
- Repeat the installation steps for the other soft-close assembly on the opposite side of the header.

## 13. Adjust the Header

---



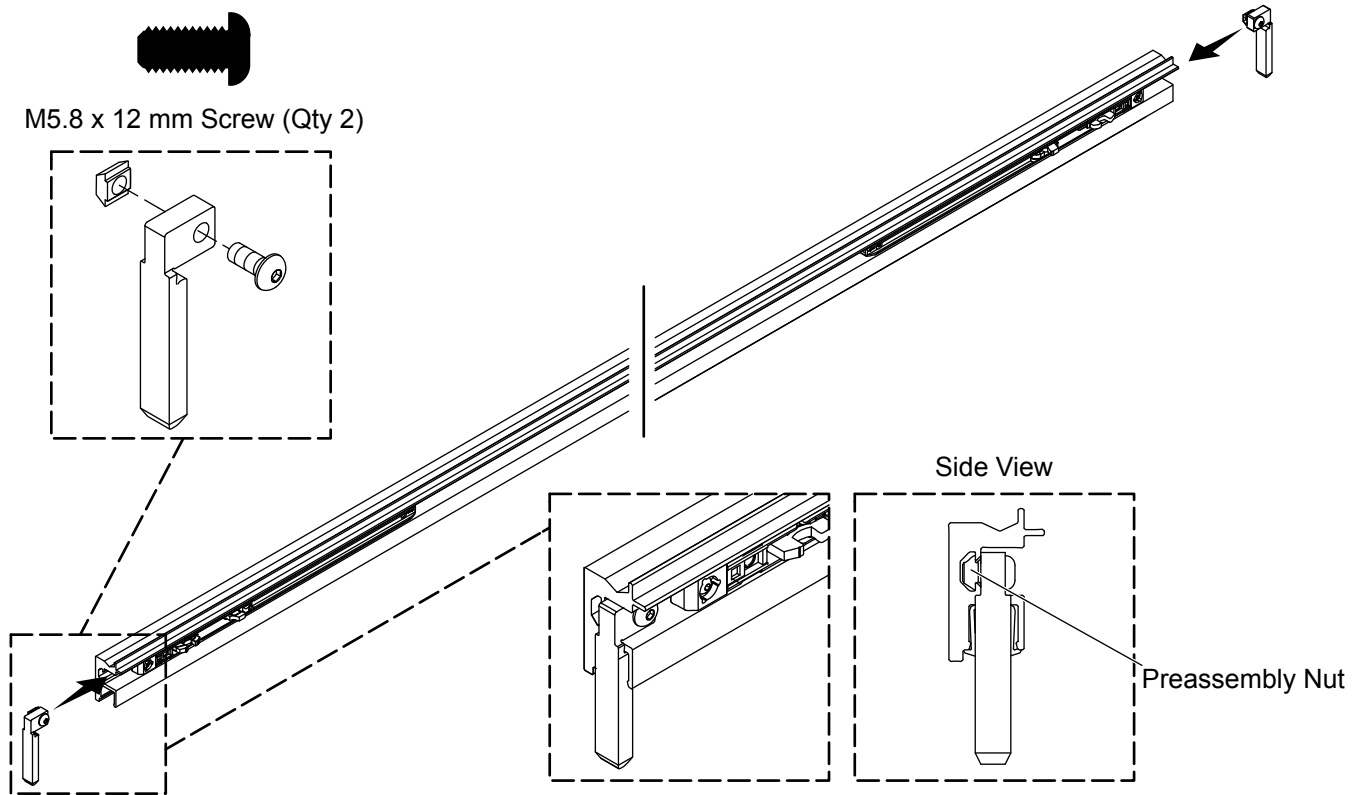
**IMPORTANT!** If the soft-close assemblies are not securely tightened, door operation may be affected.

**NOTE:** When installed properly, the soft-close assembly spring should push one end of the mechanism outside of the header.

- Slide the soft-close assembly on the fixed panel side 1-1/4" (32 mm) from the end of the header.
- Securely tighten the screws on each end of the assembly with a 2 mm hex wrench.
- Slide the other soft-close assembly 1-1/16" (27 mm) from the end of the header on the sliding panel side.
- Securely tighten the screws on each end of the assembly with a 2 mm hex wrench.

## 14. Install the Header Brackets

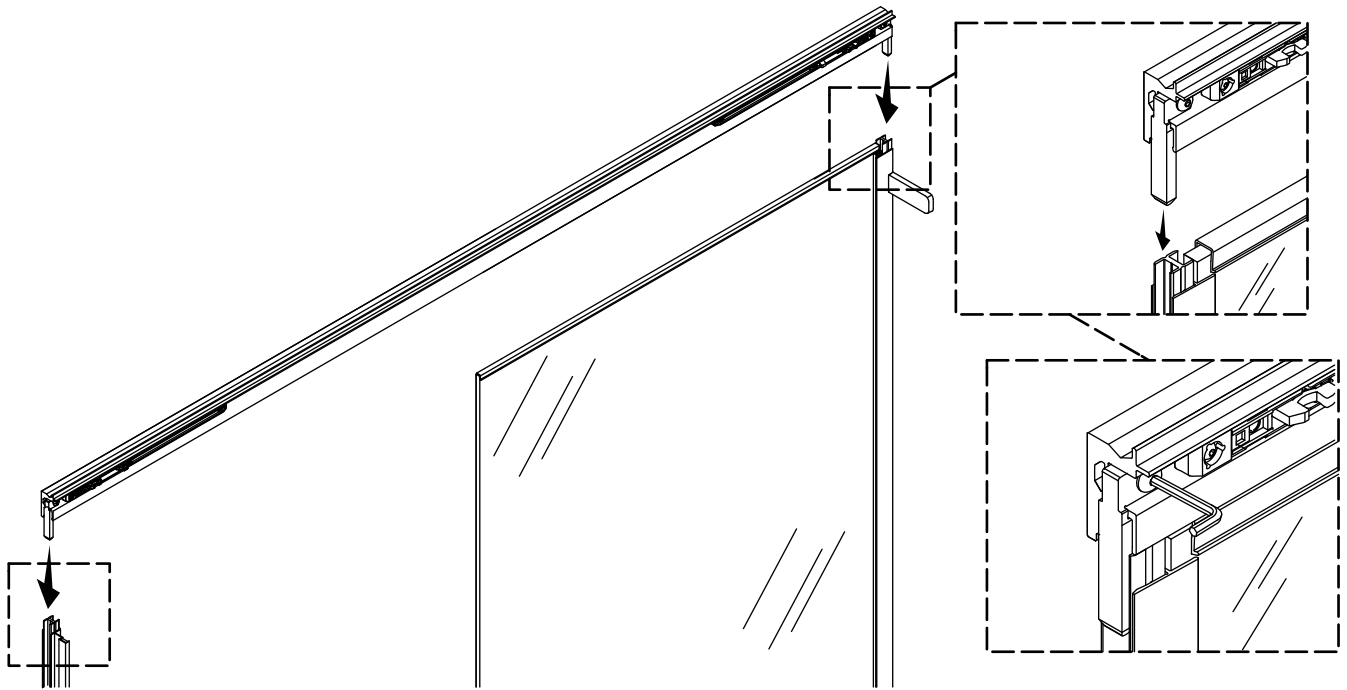
---



- Assemble the preassembly nut to the header bracket with the provided M5.8 x 12 screw.
- Insert a header bracket into each end of the header so that the bracket is flush with the end of the header.
- Verify that the preassembly nut is in the channel in the header.
- Loosely secure the bracket with a 3 mm hex wrench.

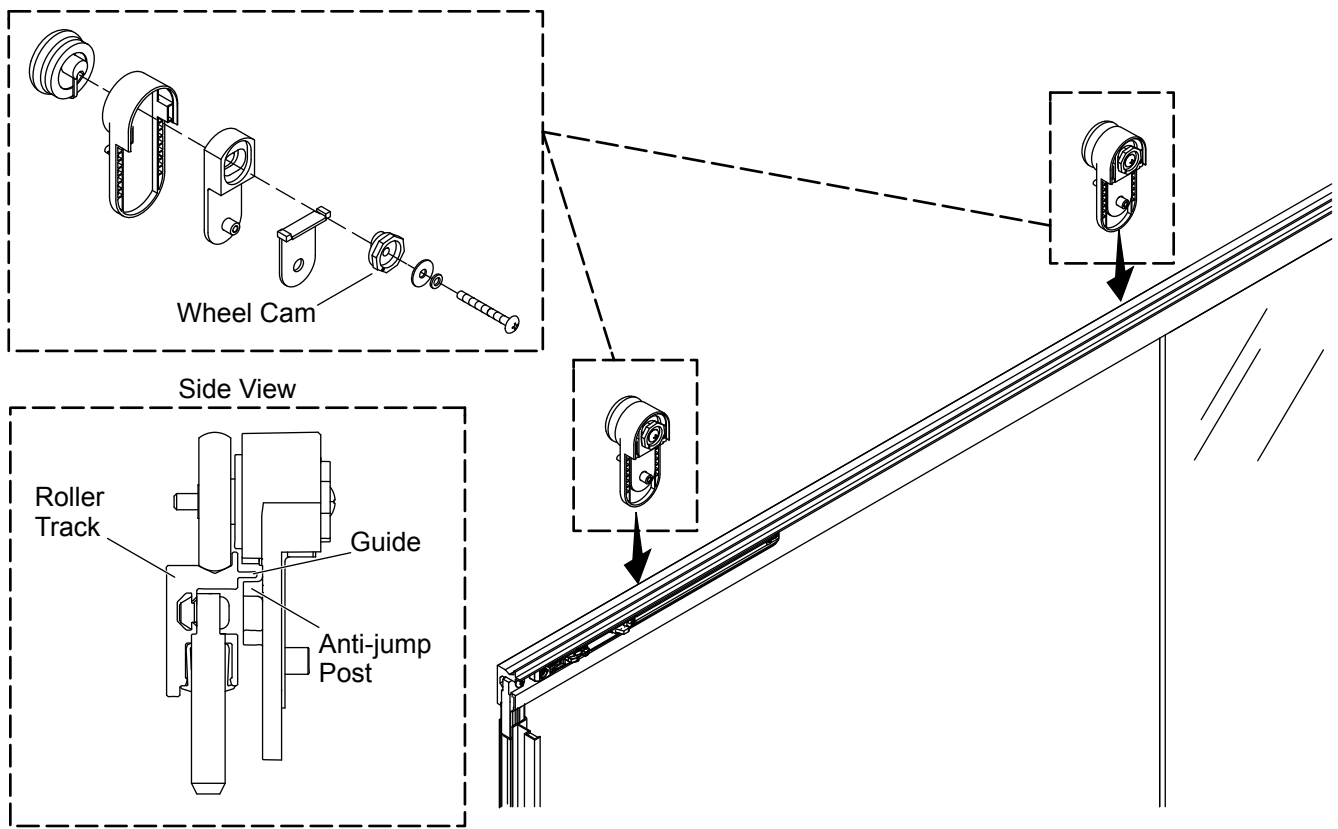
## 15. Install the Header

---



- Set the header on top of the wall jambs so that the header brackets slide between the wall and the wall jamb.
- Press the header down until the header is seated on both wall jambs and the fixed panel is fully inserted into the bottom channel on the header. If needed, use a rubber mallet to fully seat the header onto the fixed panel.
- Fully tighten the screws on the header bracket to secure the header.

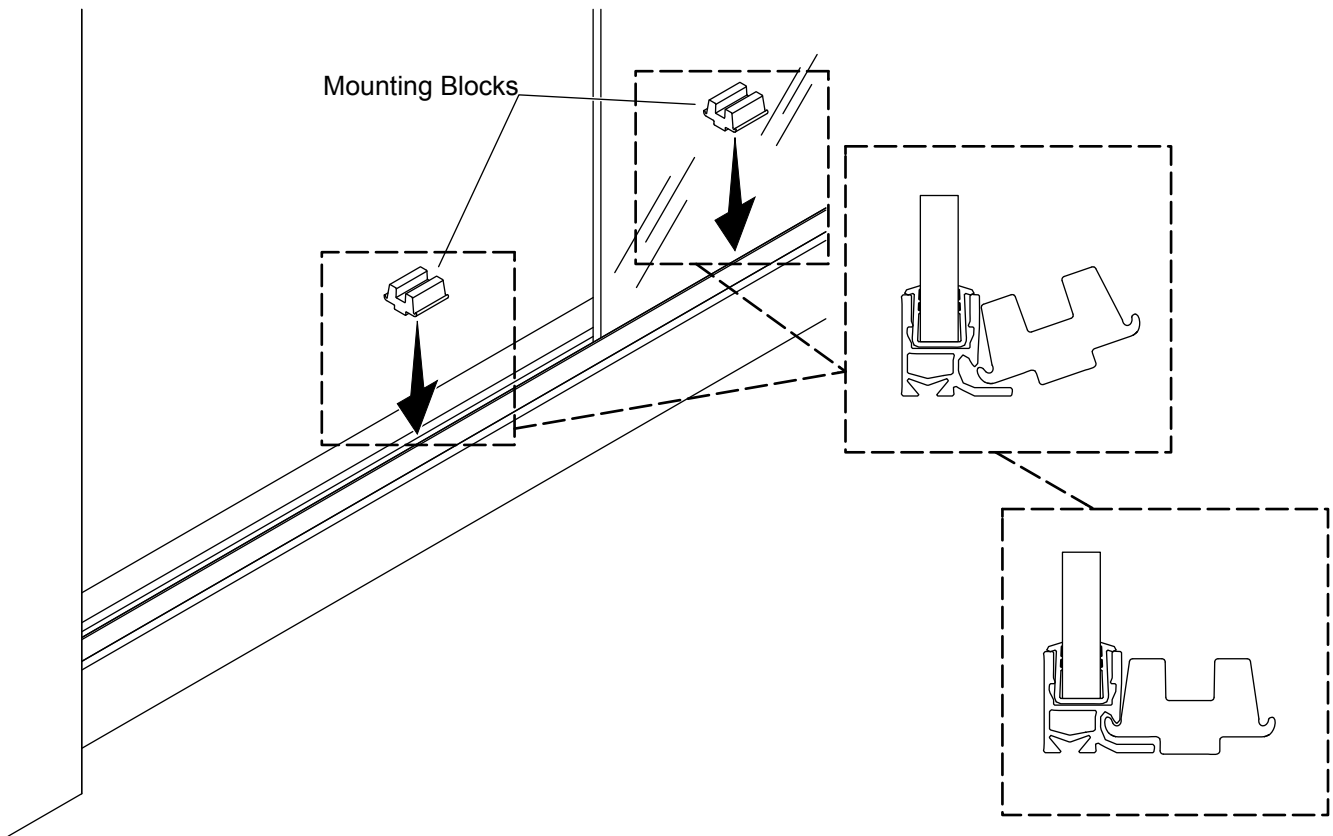
## 16. Install the Rollers



- Loosely assemble each roller assembly.
- Set each roller assembly onto the header so that the roller is in the roller track and the anti-jump post is underneath the guide in the header.
- Slide the roller assemblies to each end of the header.

## 17. Position the Mounting Blocks

---

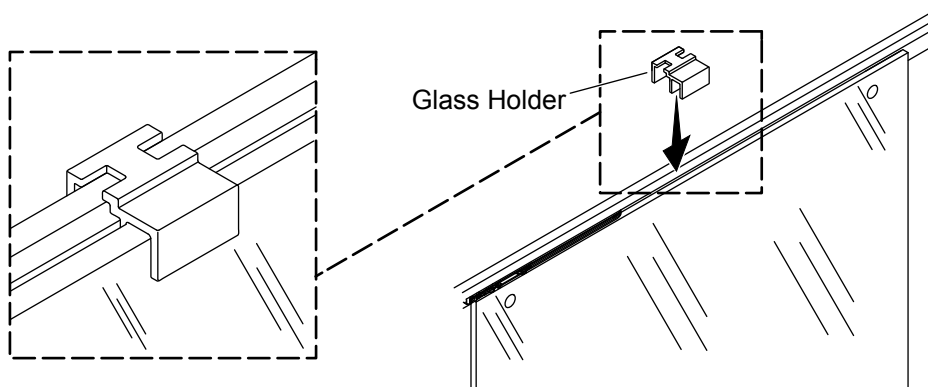
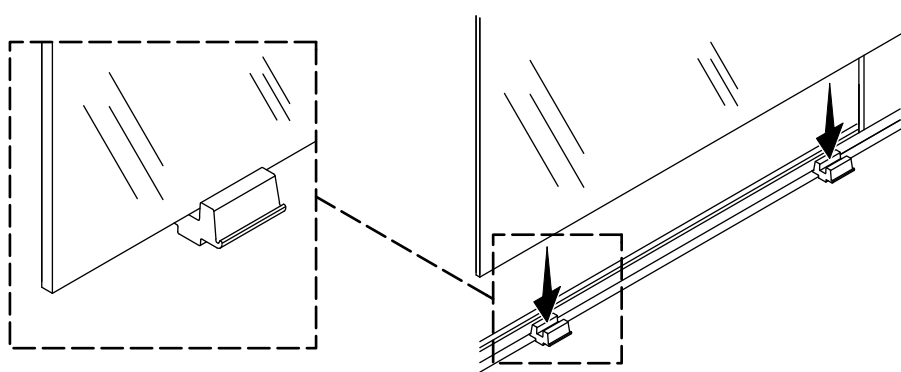


**NOTE:** Install the mounting blocks onto the threshold so that the sliding panel will be positioned in the center of the shower opening.

- Rotate the mounting blocks into place in the threshold groove, as shown.

## 18. Position the Sliding Panel

---



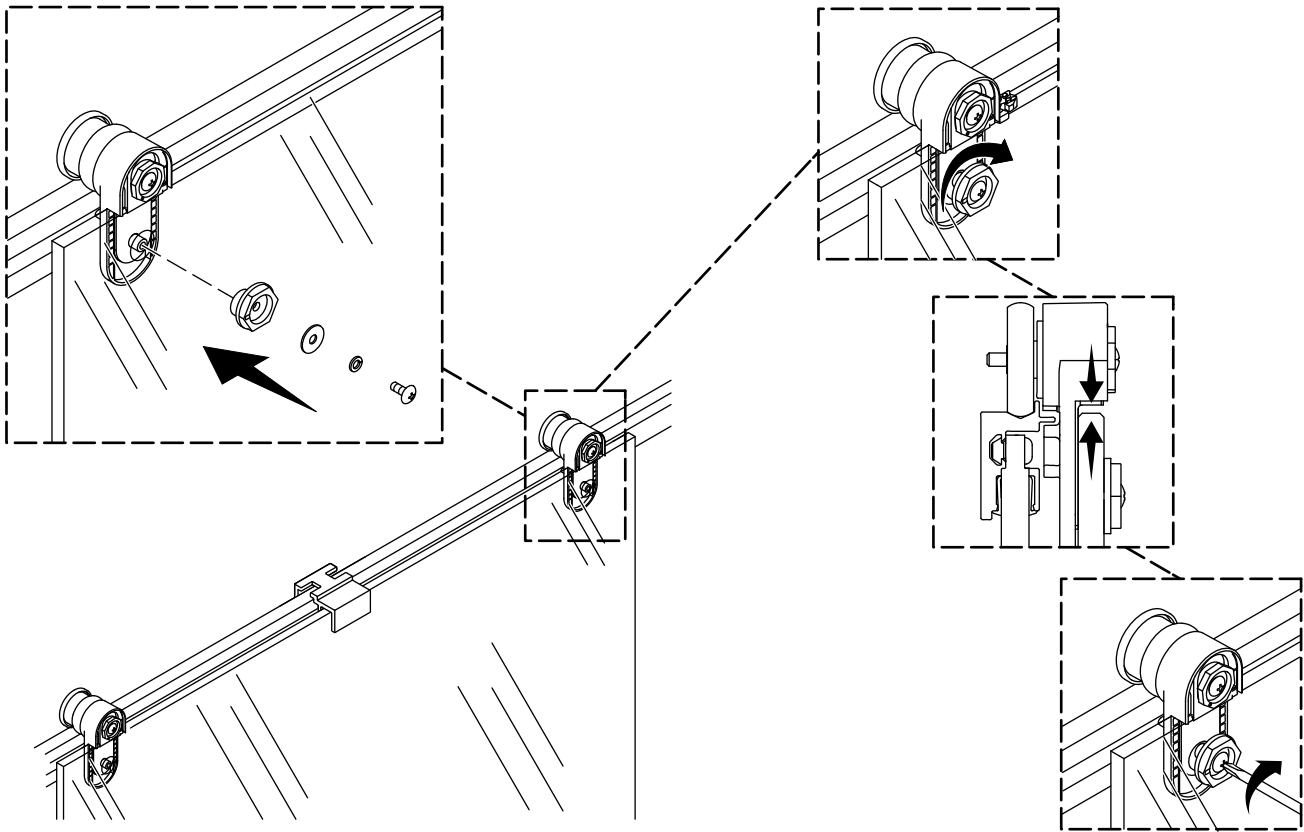
**NOTE:** Bring a Philips screwdriver, an adjustable wrench, and the roller parts from the "Secure the Roller Assemblies" section into the shower before positioning the sliding panel in the mounting blocks.

- Set the sliding panel into the channel of each mounting block.
- Tip the panel upright.
- Set the glass holder onto the header and the sliding panel so that the glass holder holds the sliding panel in place.



## 19. Secure the Roller Assemblies

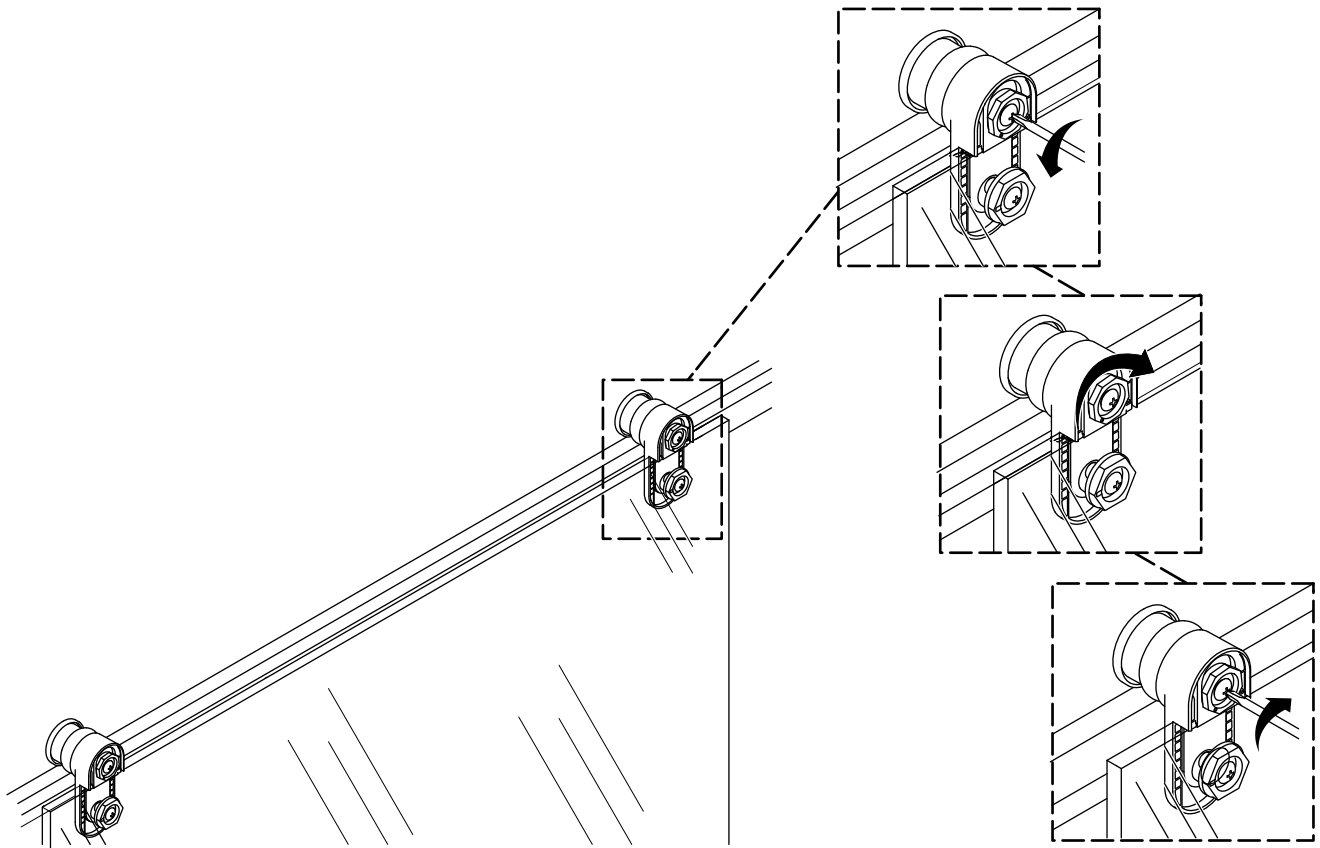
---



- Remove the top corner protectors.
- Slide one of the roller assemblies between the header and the glass panel until the post is located inside the glass hole.
- Loosely secure the glass cam to the roller assembly.
- Repeat for the second roller assembly.
- Remove the glass holder.
- Using an adjustable wrench, rotate each glass cam until the sliding panel is tight against each roller gasket.
- Holding the glass cam in place with an adjustable wrench, fully tighten the screw on each glass cam to secure the roller assemblies to the sliding panel.

## 20. Raise the Sliding Panel

---

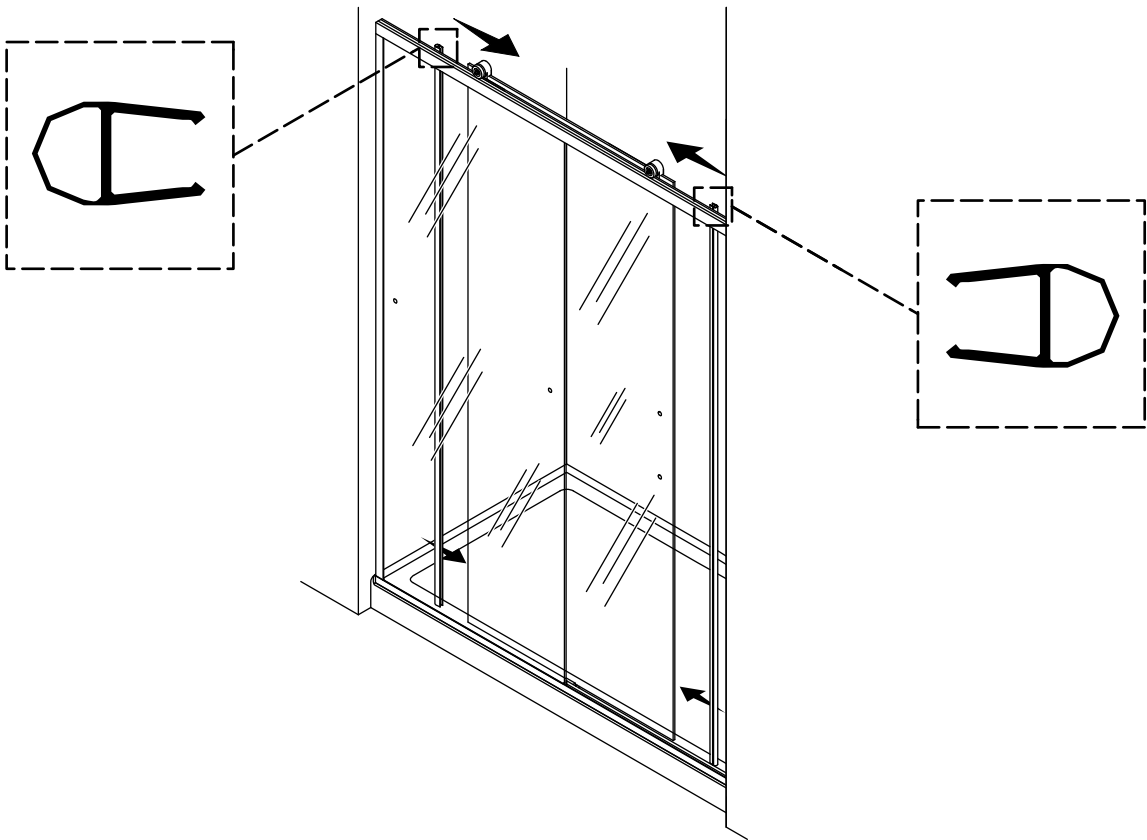


**NOTE:** Lift one side of the sliding panel to ease the turning of the wheel cam, if needed.

- Loosen the wheel cam screw.
- Using an adjustable wrench, rotate the wheel cam to lift the panel up off the mounting blocks.
- Holding the wheel cam in place with an adjustable wrench, fully tighten the wheel cam screw to secure.
- Repeat for the second wheel cam.
- Remove the bottom corner protectors.
- Remove the mounting blocks.
- Verify that all screws are tight and that the roller assemblies are secure.

# 21. Install the Sliding Panel Seals

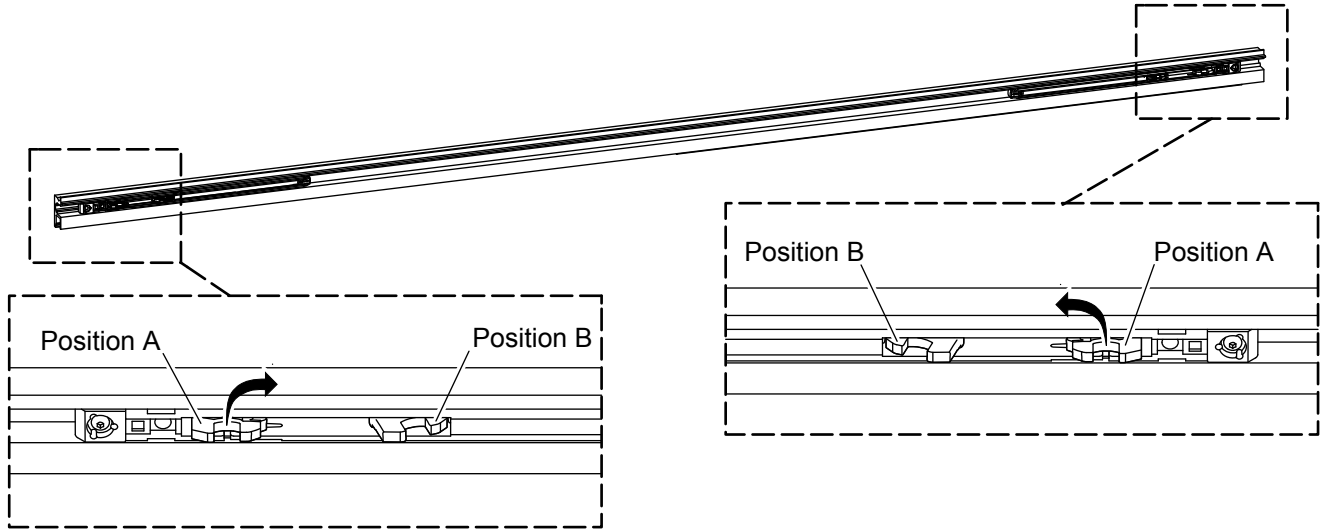
---



□ Install the bulb seals on each side of the sliding panel.

## 22. Adjust Soft-Close Assembly

---



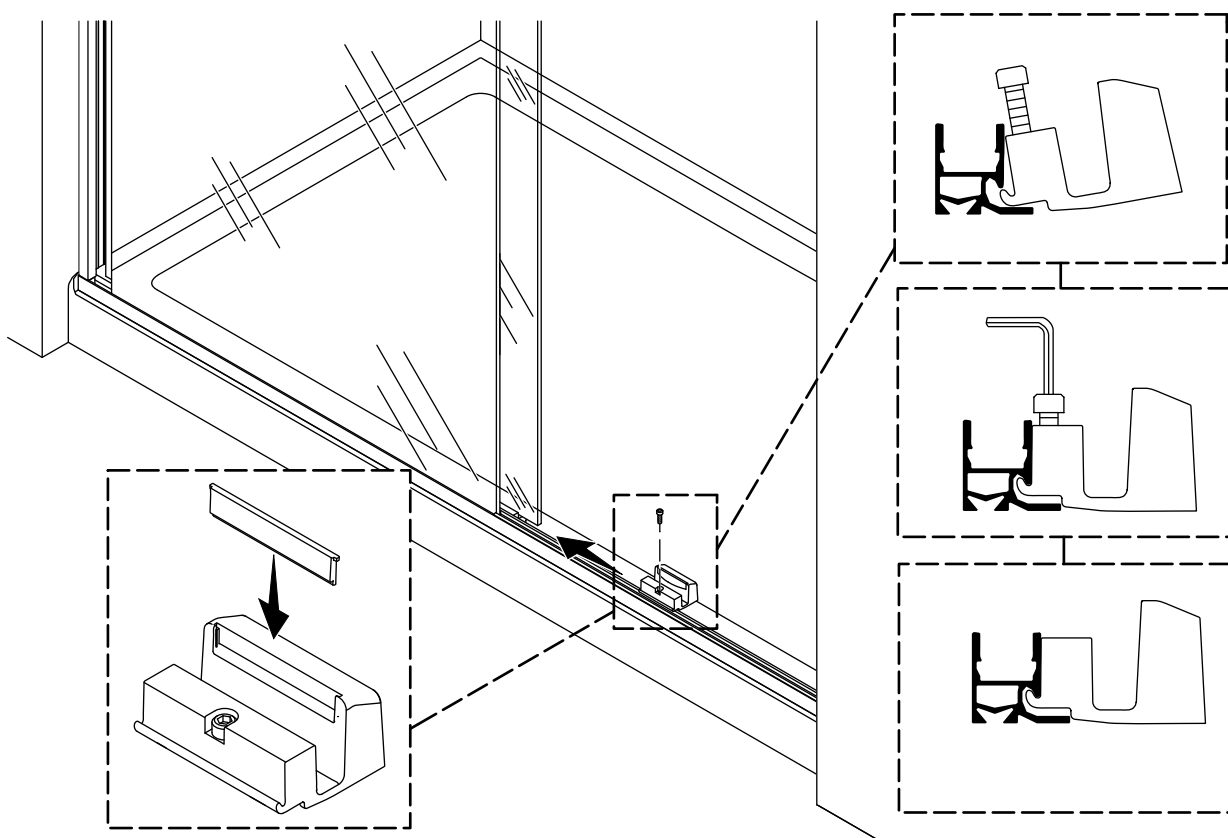
**NOTE:** When the door is closed, the bulb seal should be fully seated against the wall. If needed, make plumb adjustments according to the "Adjust the Sliding Panel" section. If further adjustment is needed, loosen the screws on the soft-close assembly and adjust positioning within the header according to the "Adjust the Header" section.

- On the sliding panel side of the header, use the glass holder tool to slide the latch of the soft-close assembly toward the center of the header until the latch locks in place in Position B.

**NOTE:** If the soft-close assembly on the fixed panel side of the header prohibits opening the door as desired, this soft-close assembly can be omitted from installation.

- On the fixed panel side of the header, use the glass holder tool to slide the latch of the soft-close assembly toward the center of the header until the latch locks in place in Position B.

## 23. Install the Centerguide

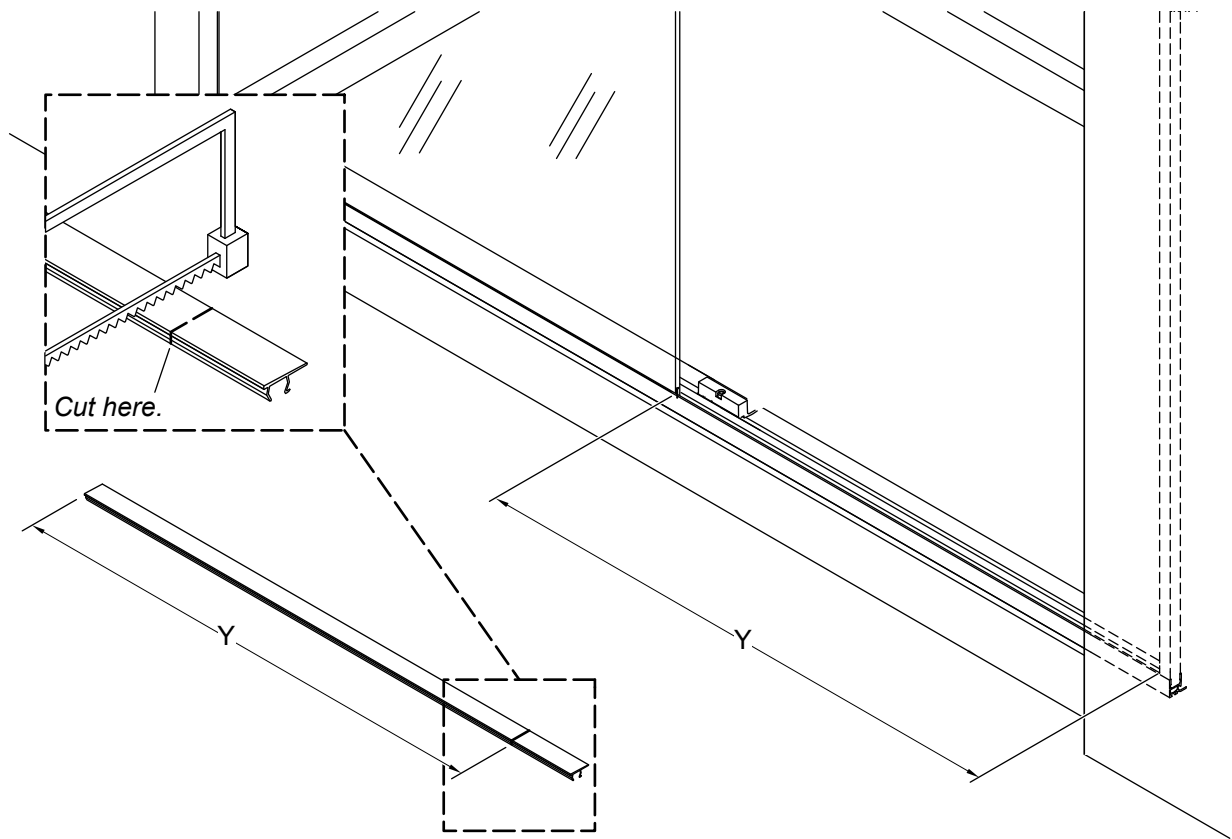


**IMPORTANT!** The centerguide must be fully seated behind the threshold lip as shown.

- Slide the door panel to the fixed panel end of the shower.
- Thread the screw partially into the centerguide hole. The screw should not protrude from the bottom of the centerguide.
- Slide the centerguide insert into the slot in the centerguide.
- Rotate the centerguide into place in the threshold groove, as shown.
- Shift the centerguide along the threshold until the edge of the guide is aligned with the edge of the fixed panel.
- Slide the door panel into the centerguide channel.
- Handtighten the screw with a 5/32" hex wrench, then tighten an additional one-half turn.

## 24. Measure and Cut the Threshold Cover

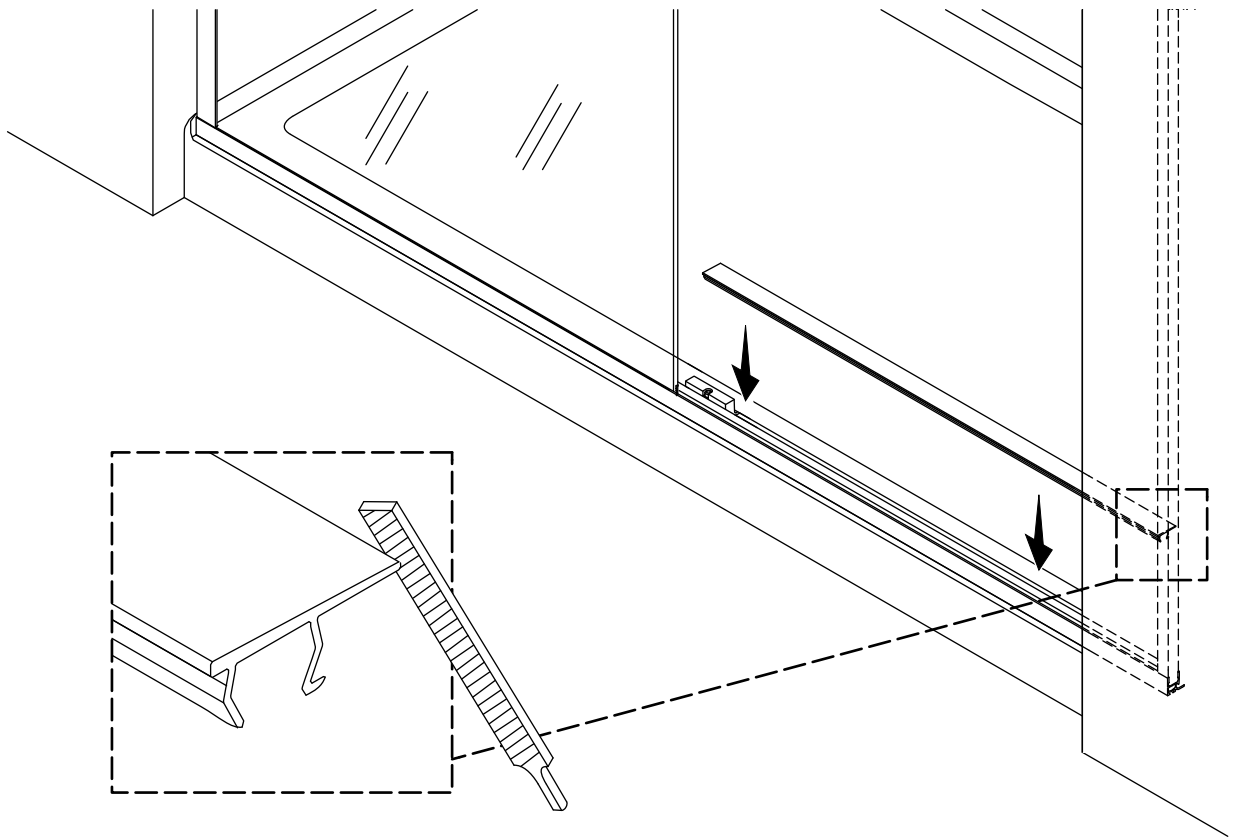
---



- Measure "Y" between the edge of the fixed panel and the wall jamb cover.
- Mark "Y" on the threshold cover.
- Cut the threshold cover at the marked line and file any rough edges.

## 25. Install the Threshold Cover

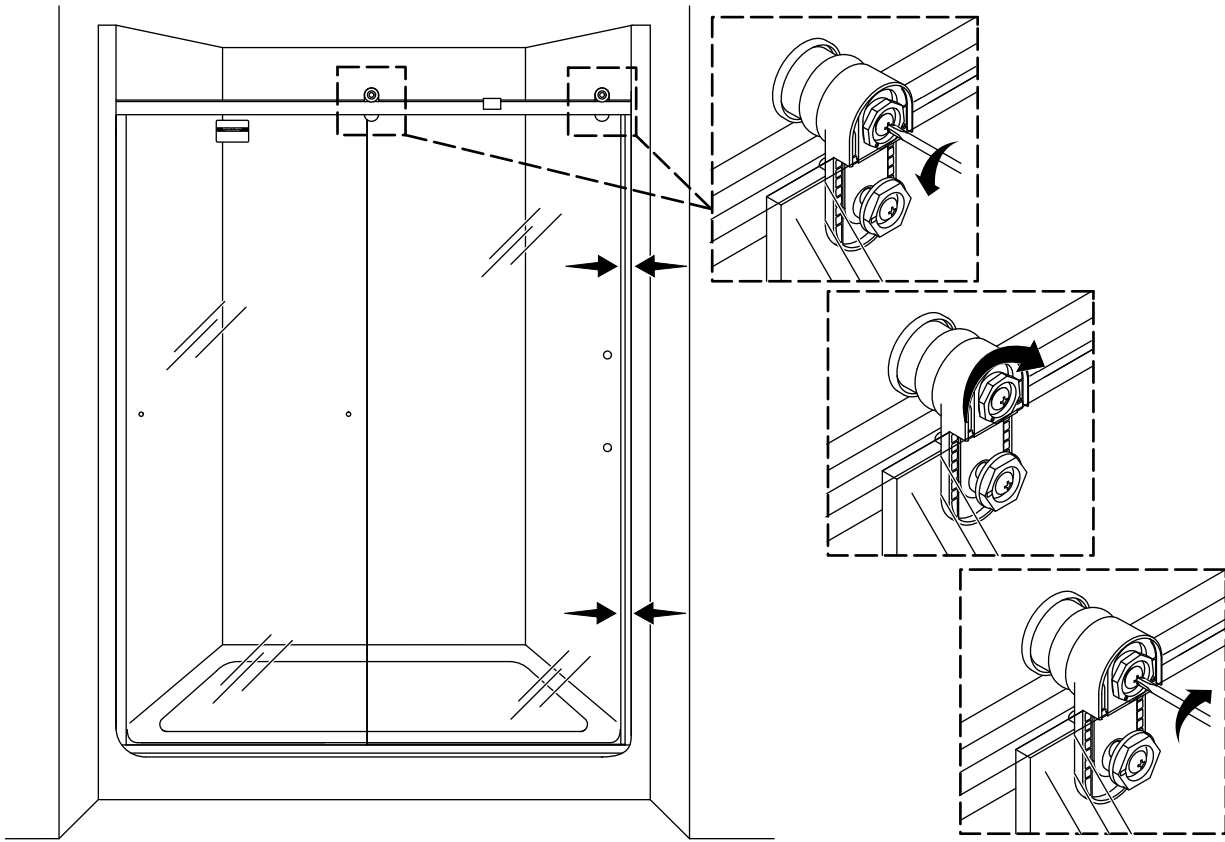
---



- Using a file, round the corner of the threshold cover that points toward the wall jamb and interior of the shower.
- Press the threshold cover into the threshold as shown.
- Verify that the threshold cover is fully seated onto the threshold.

## 26. Adjust the Sliding Panel

---

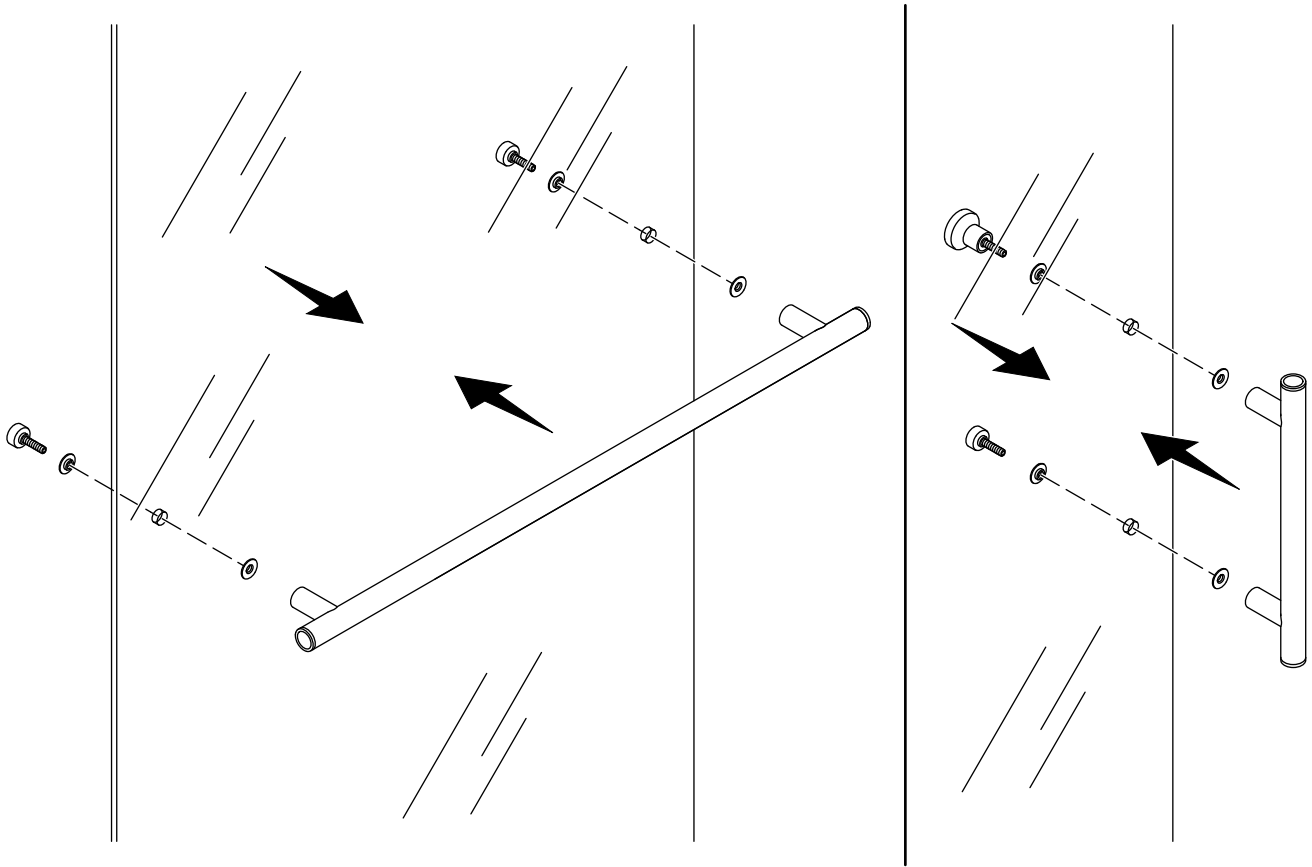


- Loosen the screw on the top wheel cam of the roller assembly.
- Using an adjustable wrench, rotate the wheel cam to move the panel up and down.
- Raise or lower each side of the panel as needed until the sliding panel bulb seal fully contacts the wall from top to bottom.



## 27. Install the Handle and Towel Bar

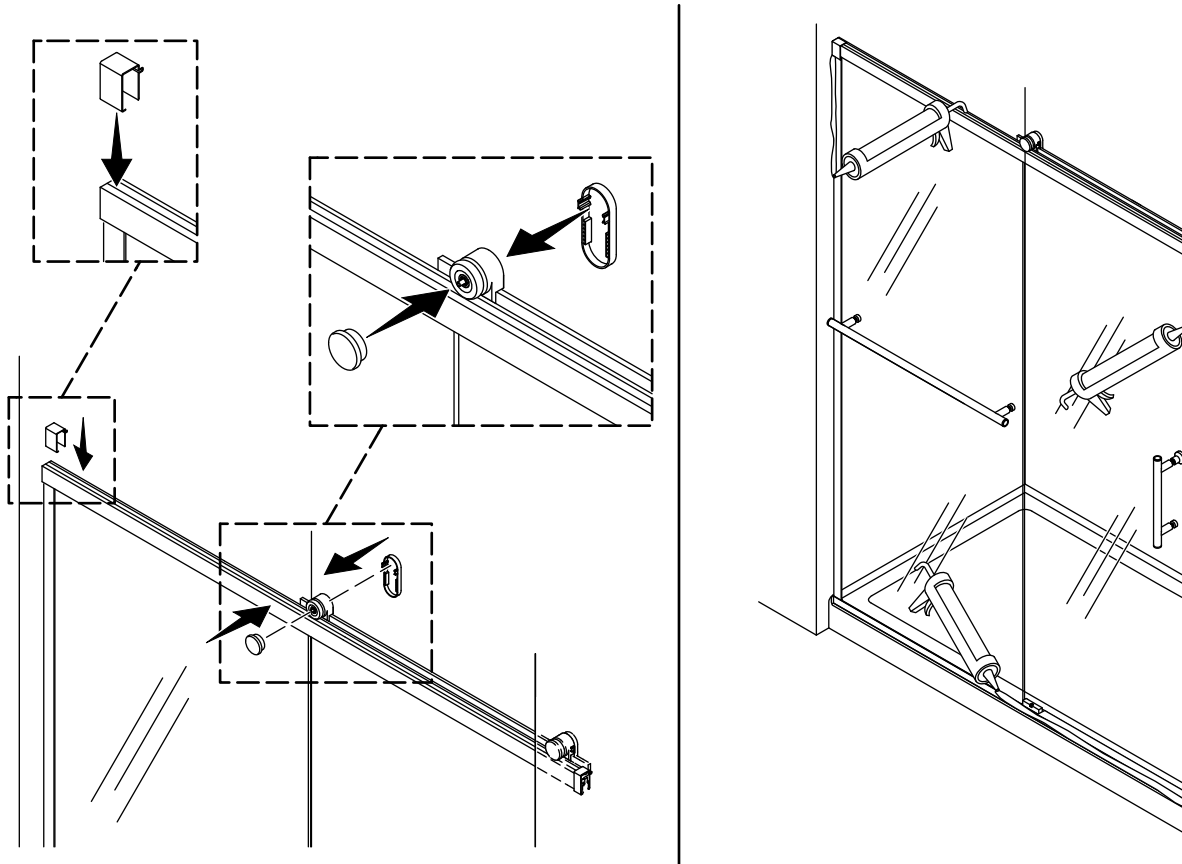
---



- Install a gasket on each side of the glass holes.
- Align the handle and towel bar with the holes on the outside of the shower.
- Press a screw through each hole and thread each screw into the handle and the towel bar to secure.

## 28. Complete the Installation

---



**NOTE:** Leave a gap between the roller cover and the roller when installed.

**NOTE:** The thin header cover installs on the sliding panel side.

- Apply 100% silicone sealant to the exterior edges of the wall jambs and threshold.
- Install the roller covers to the inside and outside of the roller assemblies.
- Install the header covers on the ends of the header. Silicone in place if needed.

## Troubleshooting

This troubleshooting guide is for general aid only. For warranty service, contact your dealer or wholesale distributor, or contact the Customer Care Center using the information located in the front of this manual.

Symptoms	Probable Cause	Recommended Action
1. The door is noisy when opened or closed.	<p><b>A.</b> The wedge seal between the fixed panel and the wall jamb is missing or not fully installed.</p> <p><b>B.</b> The door panels are too low and rubbing on the base of the centerguide of the shower base/bath ledge.</p> <p><b>C.</b> The rollers are loose.</p> <p><b>D.</b> The rollers have worn and are noisy.</p> <p><b>E.</b> There is debris in the roller track.</p>	<p><b>A.</b> Install the wedge seal and push completely into place according to the "Install the Wedge Seal" section.</p> <p><b>B.</b> Adjust the rollers to raise the sliding door panel. Refer to the "Adjust the Sliding Panel" section.</p> <p><b>C.</b> Tighten the roller bolts using the necessary tools.</p> <p><b>D.</b> Replace the rollers.</p> <p><b>E.</b> Remove the door panel and clean out the roller track with compressed air or a clean cloth. Verify that no debris is on the rollers.</p>
2. The door is hard to move or does not open.	<p><b>A.</b> The door panel is too low and rubbing on the base of the centerguide or the shower base/bath ledge.</p> <p><b>B.</b> The rollers are loose.</p>	<p><b>A.</b> Adjust the rollers to raise the sliding door panel. Refer to the "Adjust the Sliding Panel" section.</p> <p><b>B.</b> Tighten the roller bolts using the necessary tools.</p>
3. The door panel is free to swing in and out of the shower.	<p><b>A.</b> The centerguide is not installed.</p> <p><b>B.</b> The centerguide is not installed in the correct location.</p> <p><b>C.</b> The door panel is not correctly installed on the centerguide.</p> <p><b>D.</b> The door panel is too high.</p>	<p><b>A.</b> Install the centerguide according to the "Install the Centerguide" section.</p> <p><b>B.</b> Install the centerguide in the walkthrough opening and verify that the centerguide is aligned with the edge of the fixed panel.</p> <p><b>C.</b> The glass panel should be positioned in the channel of the centerguide.</p> <p><b>D.</b> Adjust the rollers to lower the sliding door panel. Refer to the "Adjust the Sliding Panel" section.</p>
4. The centerguide is loose.	<p><b>A.</b> The centerguide screw is not tightened.</p>	<p><b>A.</b> Handtighten the screw with a 5/32" hex wrench, then tighten an additional one-half turn.</p>
5. Water leaks.	<p><b>A.</b> Water leaks under the fixed panel.</p> <p><b>B.</b> Water leaks between the wall and the wall jamb.</p> <p><b>C.</b> Water leaks between the sliding panel and the wall.</p> <p><b>D.</b> Water leaks between the sliding panel and the fixed panel.</p>	<p><b>A.</b> Apply 100% silicone sealant to the outside bottom edge of the fixed panel. See silicone sealant manufacturer's instructions before using shower.</p> <p><b>B.</b> Apply 100% silicone sealant where the wall meets the wall jamb, both inside and outside the shower. See silicone sealant manufacturer's instructions before using shower.</p> <p><b>C.</b> Adjust the roller so that the bulb seal on the door contacts the wall evenly. Follow the instruction in the "Adjust the Sliding Panel" section.</p> <p><b>D.</b> Confirm that the vertical seals are installed correctly.</p>

Symptoms	Probable Cause	Recommended Action
<p>6. The soft-close assembly is not pulling the door open or closed.</p>	<p><b>A.</b> The latch is not in the correct position when the door is closed.</p> <p><b>B.</b> The latch is not in the correct position when the door is opened.</p> <p><b>C.</b> The latch does not stay in the open position after opening the door.</p>	<p><b>A.</b> Verify that the latch in the soft-close assembly closest to the closing wall is in the open position before closing the door. Refer to the "Adjust Soft-Close Assembly" section.</p> <p><b>B.</b> Verify that the latch in the soft-close assembly closest to the bumper is in the closed position before opening the door. Refer to the "Adjust Soft-Close Assembly" section.</p> <p><b>C.</b> Call the Customer Care Center.</p>

# Instructions d'installation

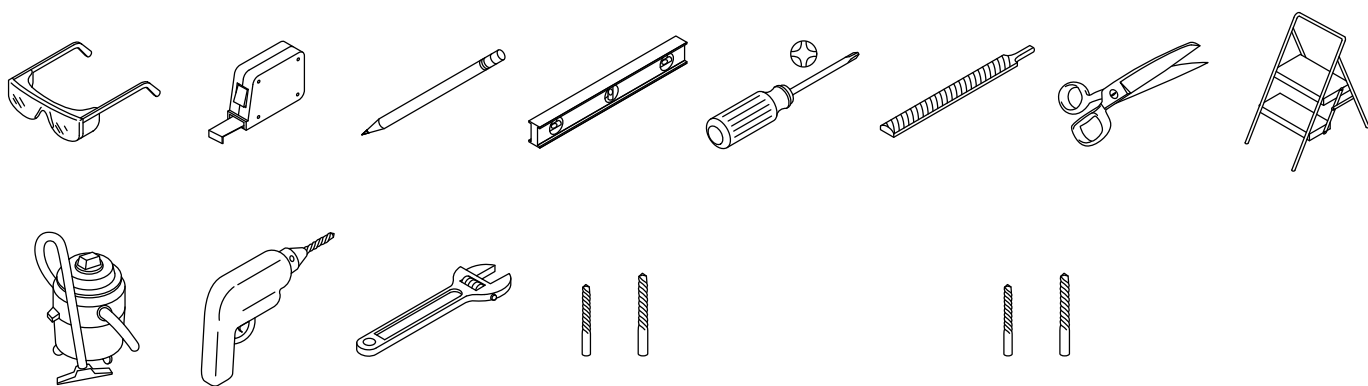
## Porte de douche coulissante

### Merci d'avoir choisi KOHLER

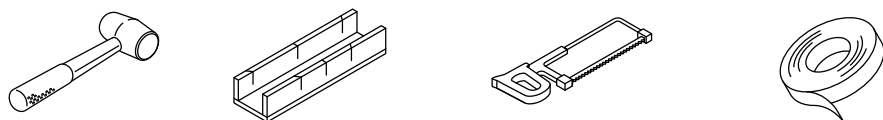
Besoin d'aide? Appeler notre centre de services à la clientèle.

- USA/Canada : 1-800-4KOHLER (1-800-456-4537) Mexique : 001-800-456-4537
- Pièces d'entretien : [kohler.com/serviceparts](http://kohler.com/serviceparts)
- Entretien et nettoyage : [kohler.com/clean](http://kohler.com/clean)
- Brevets : [kohlercompany.com/patents](http://kohlercompany.com/patents)

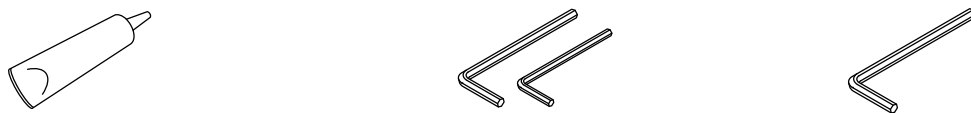
### Outils et matériel



5/16 po, 1/4 po Mèches de maçonnerie pour carrelage : 5/16 po, 1/4 po



Maillet en caoutchouc Boîte à onglet Lame de 32 dents par pouce Ruban-cache










Mastic d'étanchéité à la silicone à 100 % Clés hexagonales de 2 mm et 3 mm Clé hexagonale de 5/32 po

#### Plus :

- Scie à tronçonner qui coupe le métal ou scie de tronçonnage
- Flacon pulvérisateur

## Avant de commencer

---

-  **AVERTISSEMENT : Risque de blessures graves.** Des dommages avant l'installation peuvent entraîner des éclatements de verre. Inspecter le verre et toutes les pièces pour y rechercher des dommages éventuels avant l'installation.
-  **AVERTISSEMENT : Risque de blessures graves.** Une installation incorrecte peut entraîner des éclatements de verre. Suivre toutes les instructions d'installation.
-  **AVERTISSEMENT : Risque de blessures graves.** Ne pas couper le verre trempé. Le verre trempé éclate lorsqu'il est coupé.
-  **AVERTISSEMENT : Risque de blessures graves.** La porte de la douche et les panneaux latéraux peuvent éclater. Inspecter régulièrement le verre et toutes les pièces pour y rechercher des dommages, ou des pièces manquantes ou desserrées.
-  **AVERTISSEMENT : Risque de blessures graves.** Toujours porter des lunettes de sécurité pendant la découpe et le perçage.
-  **AVERTISSEMENT : Risque d'endommagement du produit et de dommage matériel.** Cette porte de douche est très lourde. Ne pas installer la porte sur les modules de douche en plastique ou sur des cloisons sèches sauf si un support supplémentaire est fourni à l'arrière des butoirs du montant mural.
-  **ATTENTION : Risque de blessures.** Le verre trempé ne doit pas entrer en contact avec des surfaces dures, car le verre trempé risquerait de se briser. Ne pas toucher le bord du panneau de verre trempé avec des outils ou des objets durs.

**IMPORTANT!** Laisser ce manuel pour l'utilisateur final. Lire toutes les instructions avant d'installer ou d'utiliser ce produit.

**IMPORTANT!** Cette porte est conçue pour s'adapter à des murs qui ont sont hors d'aplomb de moins de 3/8 po (10 mm). Vérifier que la zone sur laquelle la porte sera fixée est comprise dans un rayon de 3/8 po (10 mm) de l'aplomb. La porte risque de ne pas fonctionner correctement si le mur est hors d'aplomb de plus de 3/8 po (10 mm).

**IMPORTANT!** Ne pas retirer les protecteurs de coins des panneaux de porte avant d'avoir installé ces derniers.

Recouvrir le drain avec du ruban adhésif afin d'éviter de perdre les petites pièces.

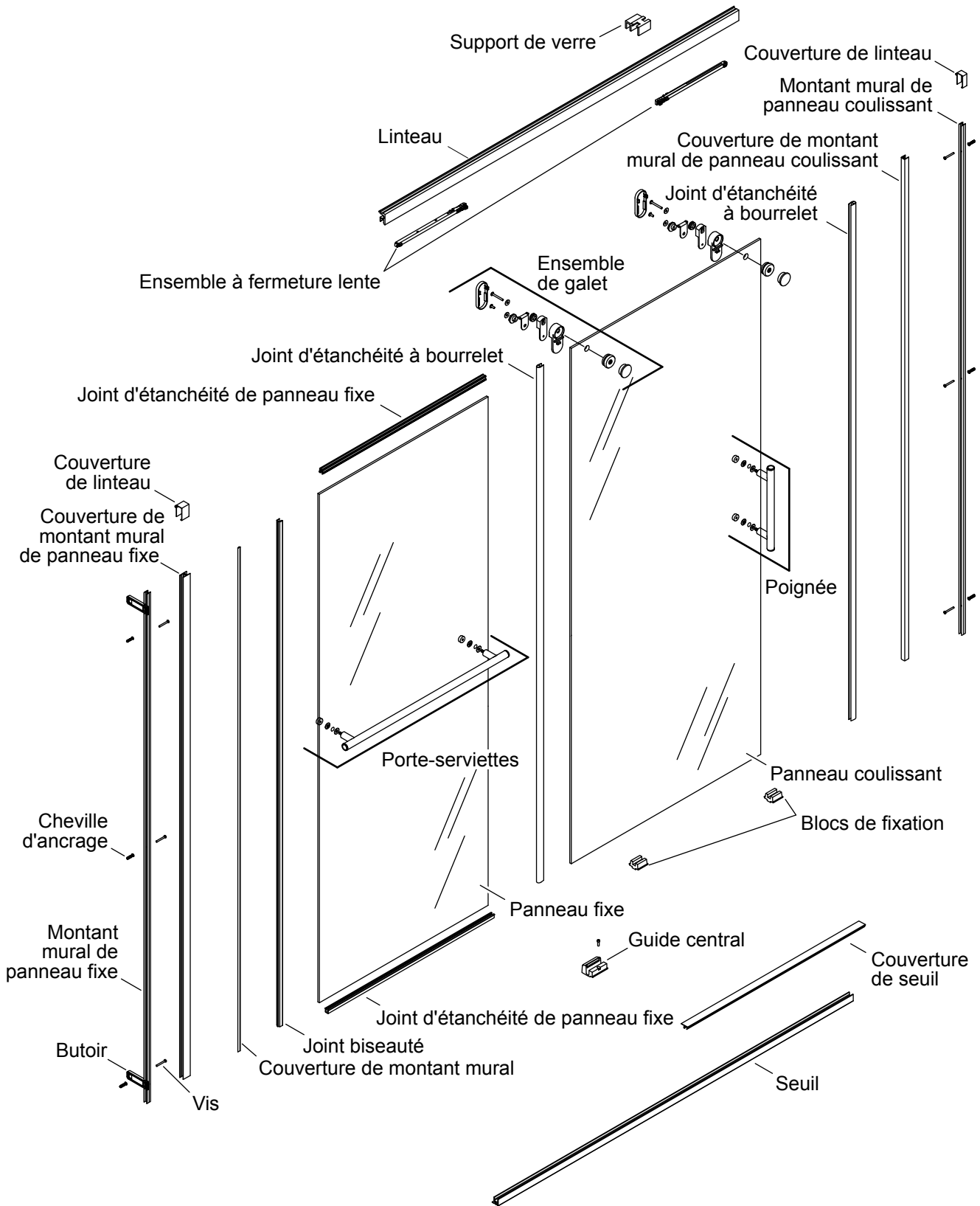
Identifier toutes les pièces avant l'installation. Vérifier qu'elles sont en bon état.

Suivre les instructions du fabricant du mastic à la silicone en ce qui concerne l'application et le temps de prise.

Deux personnes doivent effectuer cette installation.

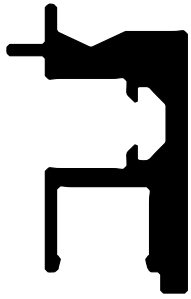
Le panneau fixe devrait être installé sur le côté se trouvant à l'opposé de la pomme de douche.

# Identification des pièces



# Liste des pièces

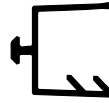
FR



Linteau (Qté 1)



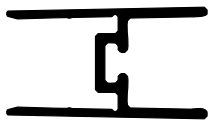
Seuil (Qté 1)



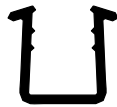
Joint d'étanchéité de  
couverture de montant mural (Qté 1)



Montant mural (Qté 1)



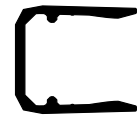
Couverture de montant  
mural de panneau fixe (Qté 1)



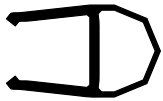
Joint d'étanchéité de  
panneau fixe (Qté 2)



Joint biseauté (Qté 1)



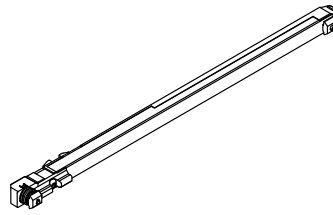
Couverture de montant mural de  
panneau coulissant (Qté 1)



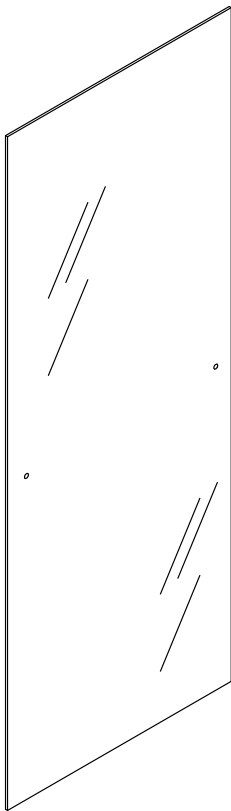
Joint à bourrelet (Qté 2)



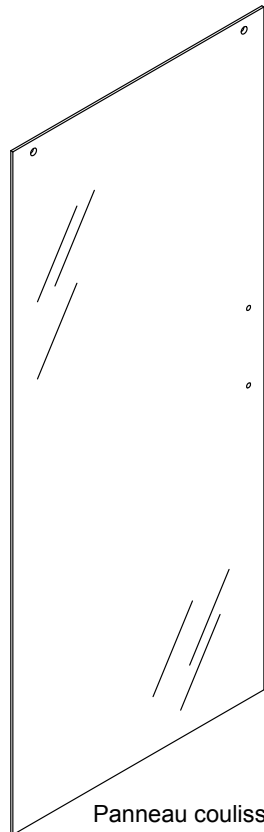
Couverture de seuil (Qté 1)



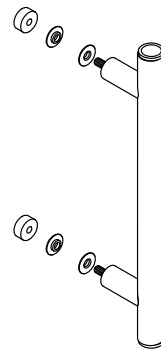
Ensemble à fermeture lente (Qté 2)



Panneau fixe (Qté 1)



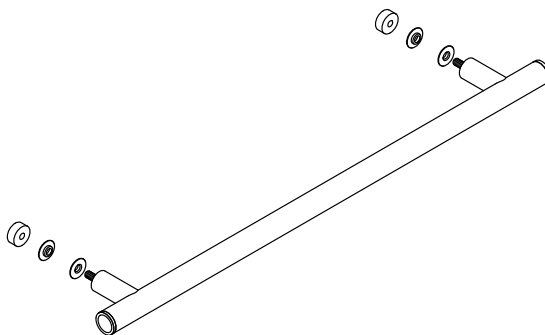
Panneau coulissant (Qté 1)



Poignée (Qté 1)



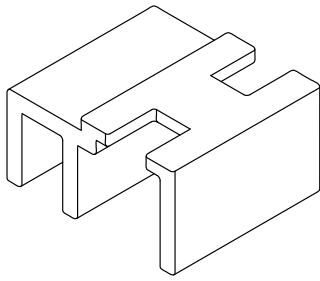
Montant mural  
de panneau fixe (Qté 1)



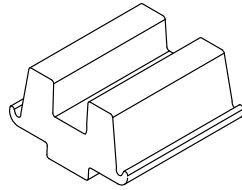
Porte-serviettes (Qté 1)  
(optionnel)



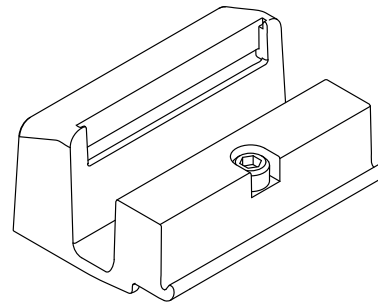
# Liste des pièces (suite)



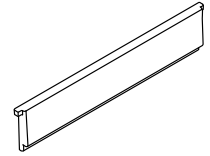
Support de verre (Qté 1)



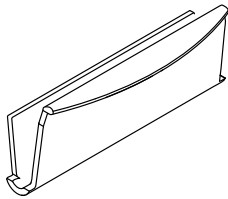
Bloc de fixation (Qté 2)



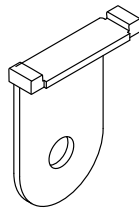
Guide central (Qté 1)



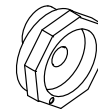
Garniture de guide central (Qté 1)



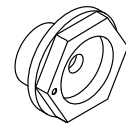
Ressort de guide central (Qté 1)



Joint statique de galet (Qté 2)



Came à roue (Qté 2)



Came de verre (Qté 2)



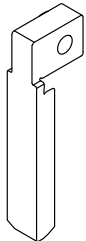
Écrou préassemblé (Qté 2)



Rondelle (Qté 4)



Rondelle-frein (Qté 4)



Support en L (Qté 2)



Vis 8-18 x 1-1/2 po (Qté 6)



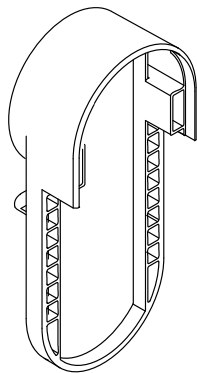
Vis M5.8 x 45 mm (Qté 2)



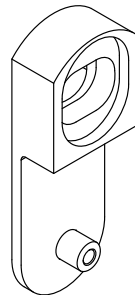
Vis M5.8 x 12 mm (Qté 2)



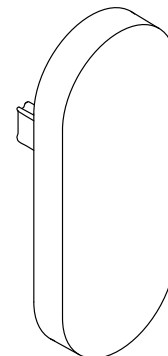
Vis 10-24 X 1/2 po (Qté 2)



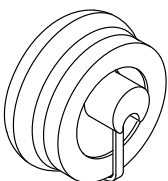
Couverture avant d'ensemble de galet (Qté 2)



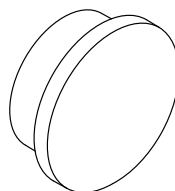
Support d'ensemble de galet (Qté 2)



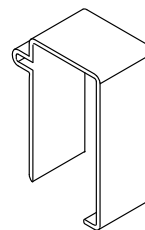
Couverture arrière d'ensemble de galet (Qty 2)



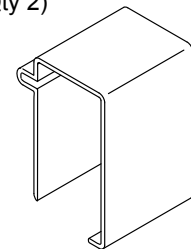
Ensemble de galet (Qté 2)



Couverture de galet (Qté 2)

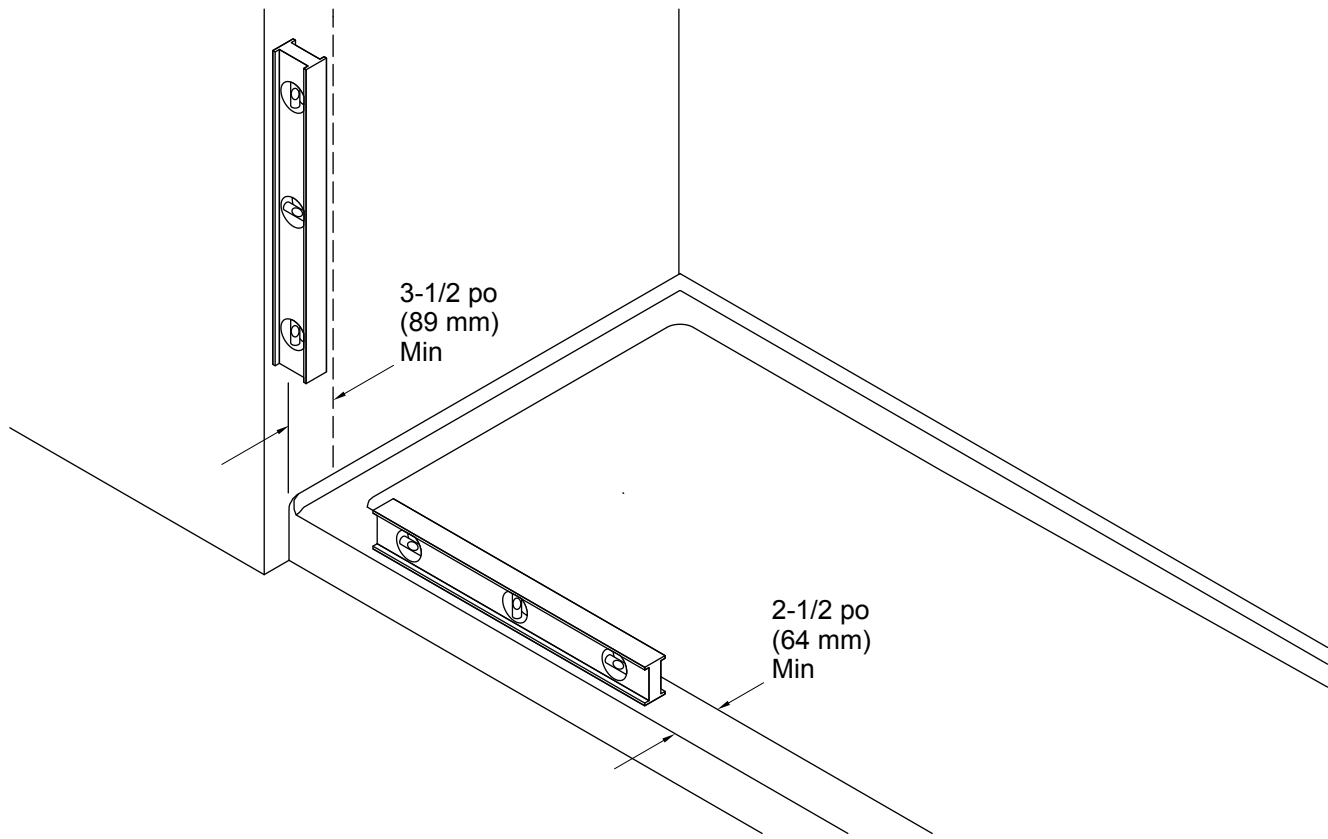


Couverture de linteau mince (Qté 1)



Couverture de linteau large (Qté 1)

## 1. Vérifier la compatibilité du rebord de la baignoire/base de douche



**IMPORTANT!** Pour un alignement et un fonctionnement adéquats, vérifier que la base de la douche/le rebord de la baignoire et les murs sont conformes aux conditions requises suivantes. Ne pas installer la porte si ces conditions requises ne sont pas présentes.

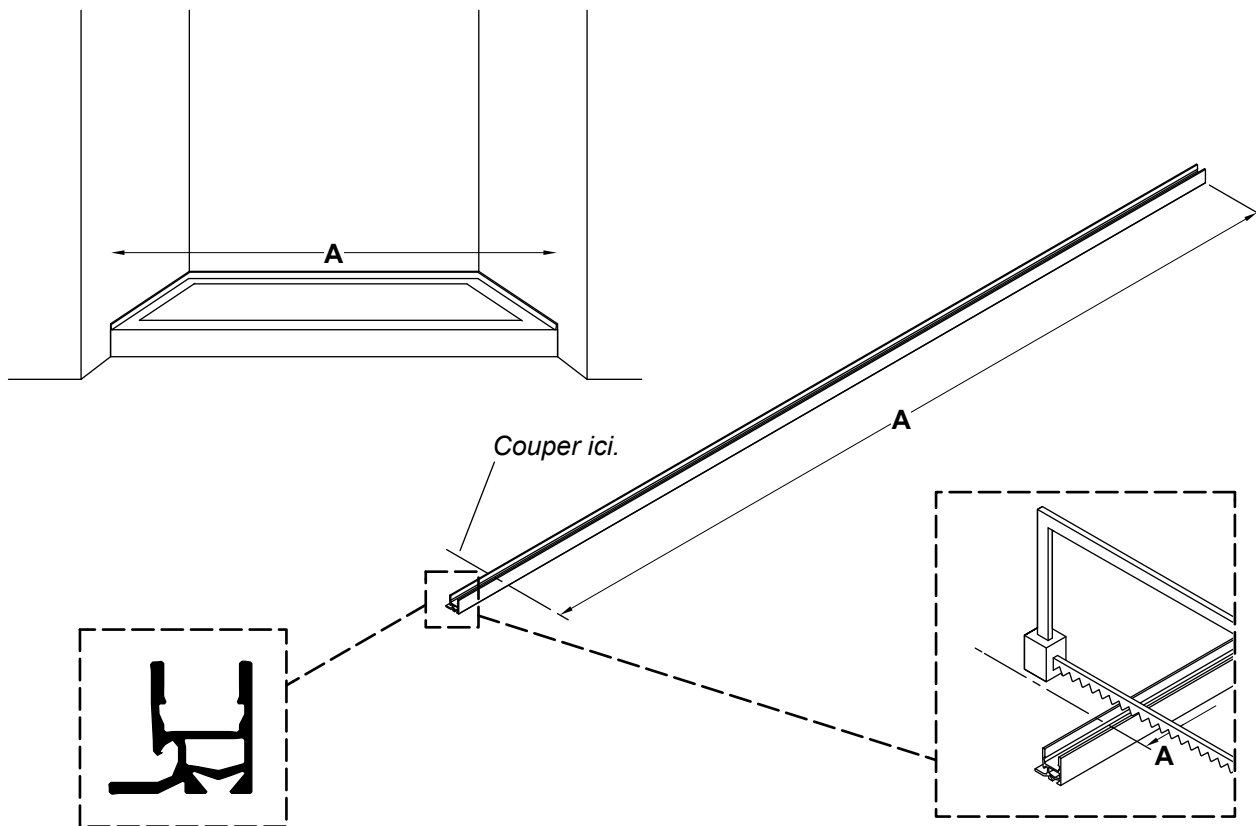
Une surface plate de 3-1/2 po (89 mm) au moins doit être présente sur les murs de la baignoire/base de douche.

Une surface plate de 2-1/2 po (64 mm) au moins doit être présente sur le rebord de la baignoire/base de douche.

Les murs doivent être compris dans un rayon de 3/8 po (10 mm) de l'aplomb.

Le rebord de la baignoire/base de douche doit être à niveau entre les murs.

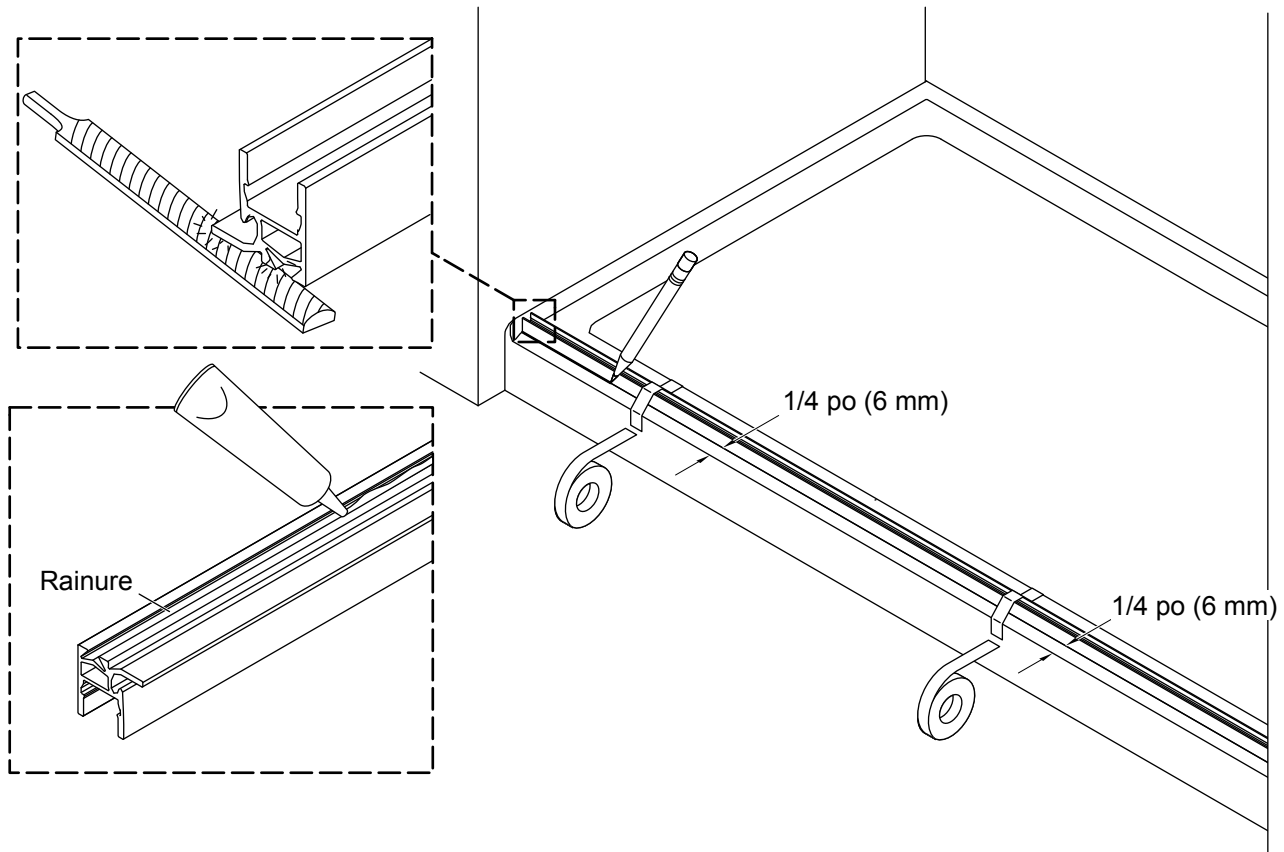
## 2. Mesurer et couper le seuil



**⚠ AVERTISSEMENT : Risque de blessures graves.** Toujours porter des lunettes de sécurité pendant la découpe et le perçage.

- Utiliser une toile de protection pour protéger la surface de la douche.
- Mesurer la distance « A » entre les murs de la douche et la marquer la distance sur le seuil.
- Couper le seuil au niveau de la ligne marquée et limer tous les bords rugueux.

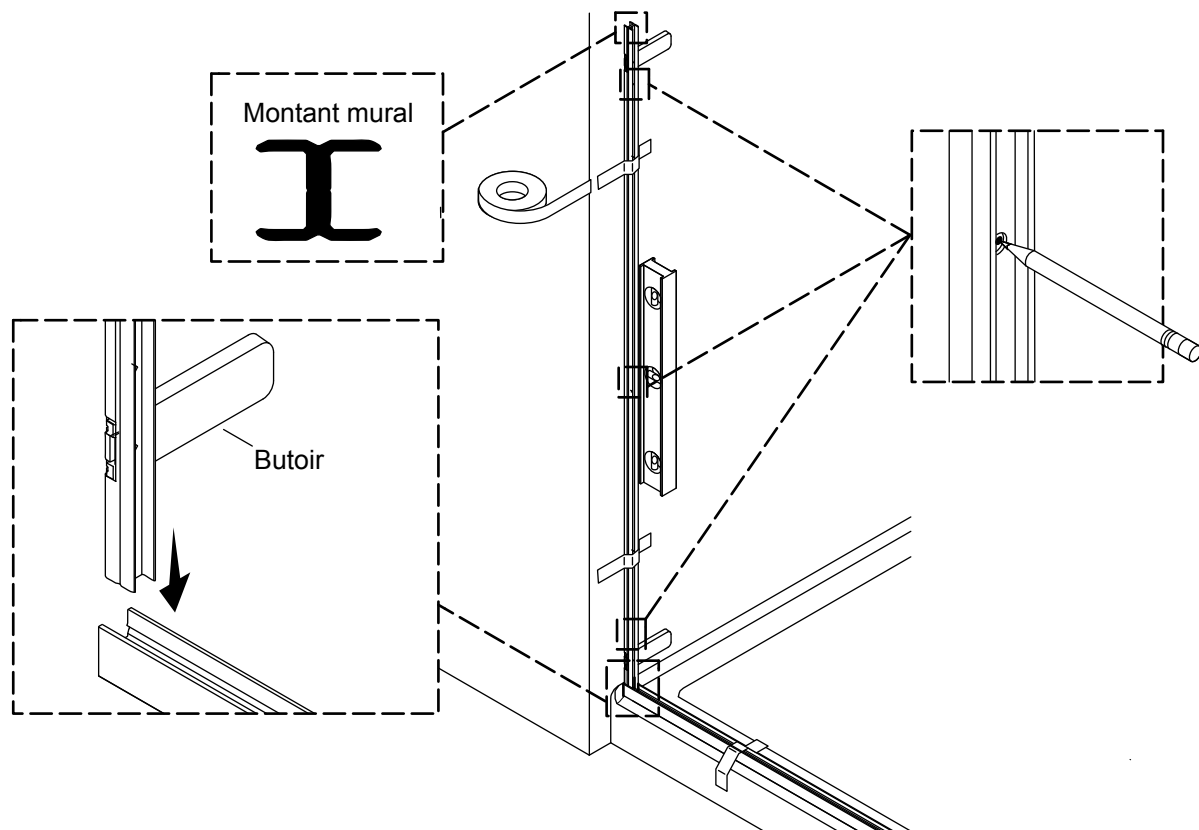
### 3. Positionner le seuil



**AVIS :** Le seuil doit reposer sur une surface plate.

- Au besoin, limer les extrémités du seuil pour les adapter au rayon de bec du mur de la douche.
- Aligner le seuil à une distance de 1/4 po (6 mm) du rebord de la baignoire/base de douche le long de toute la longueur et marquer l'emplacement.
- Appliquer du mastic à la silicone à 100 % dans la rainure sur le fond du seuil.
- Repositionner le seuil à l'emplacement marqué auparavant et le fixer solidement en place avec du ruban adhésif.

## 4. Préparer les montants muraux

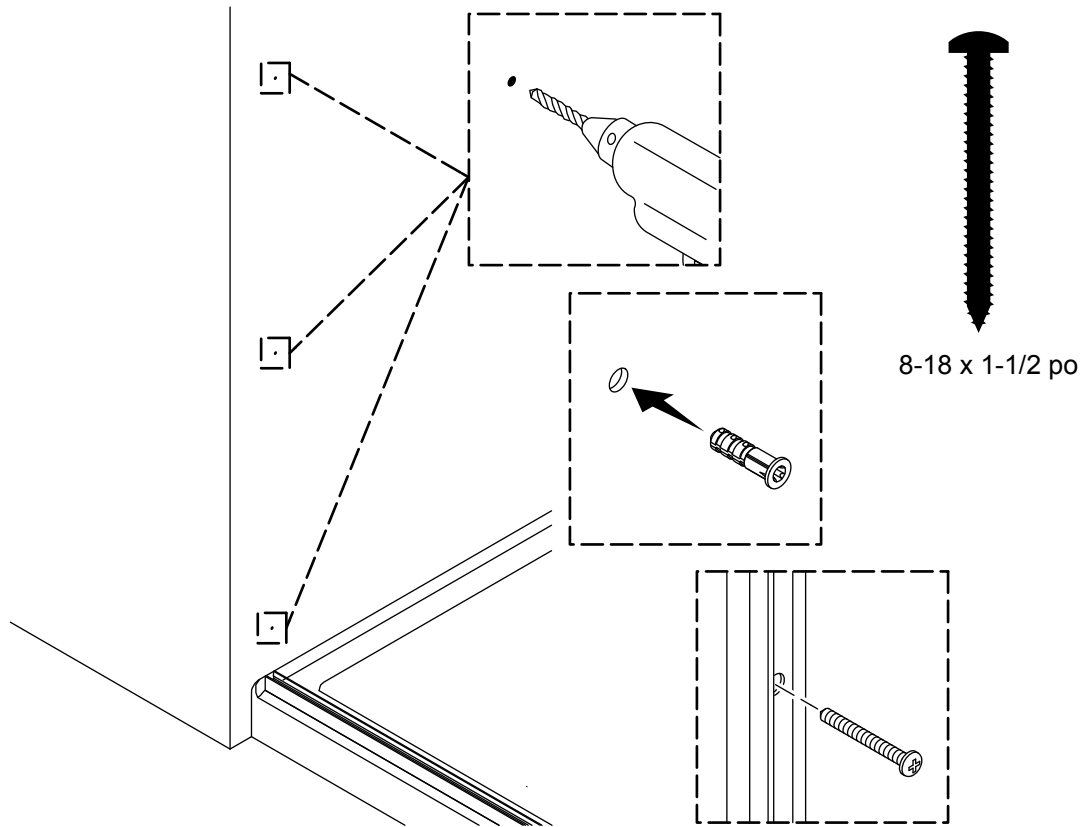


**IMPORTANT!** Le montant mural doit bien s'adapter contre le seuil et le mur.

**IMPORTANT!** Le montant mural qui contient les butoirs est installé sur le côté avec le panneau fixe.

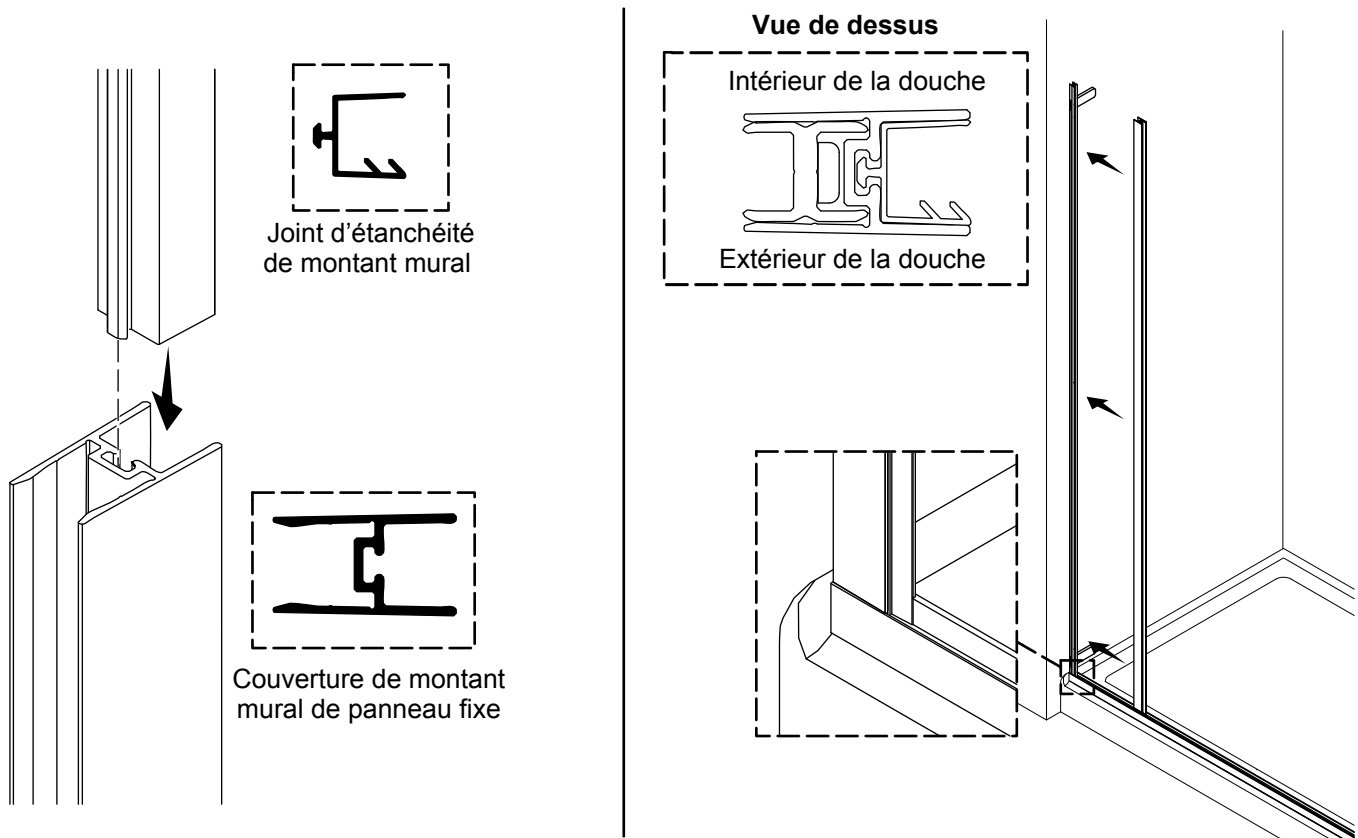
- Positionner le montant mural dans le seuil, contre le mur, avec les butoirs pointant dans la douche.
- Mettre le montant mural d'aplomb.
- Attacher le montant mural en place de manière sécuritaire avec du ruban adhésif et marquer l'emplacement du montant mural.
- Répéter pour le deuxième montant mural.
- Vérifier que le seuil est toujours aligné avec l'emplacement marqué auparavant.
- Marquer au crayon les emplacements des trous de chevilles d'ancrage sur chaque montant mural.
- Retirer les deux montants muraux et les mettre de côté.

## 5. Installer les montants muraux



- Percer un trou de 1/4 po à chaque emplacement marqué. Utiliser une mèche à maçonnerie pour les murs à carrelage.
- Installer les chevilles d'ancrage mural fournies. Si nécessaire, taper doucement sur les chevilles d'ancrage jusqu'à ce qu'elles soient à ras du mur.
- Bien nettoyer la base et les murs de la douche.
- Repositionner le montant mural, en l'alignant avec les trous des chevilles d'ancrage. Vérifier que le montant mural est d'aplomb.
- Fixer le montant mural avec trois vis n° 8-18 x 1-1/2 po.
- Répéter pour le deuxième montant mural.

## 6. Installer la couverture du montant mural du panneau fixe

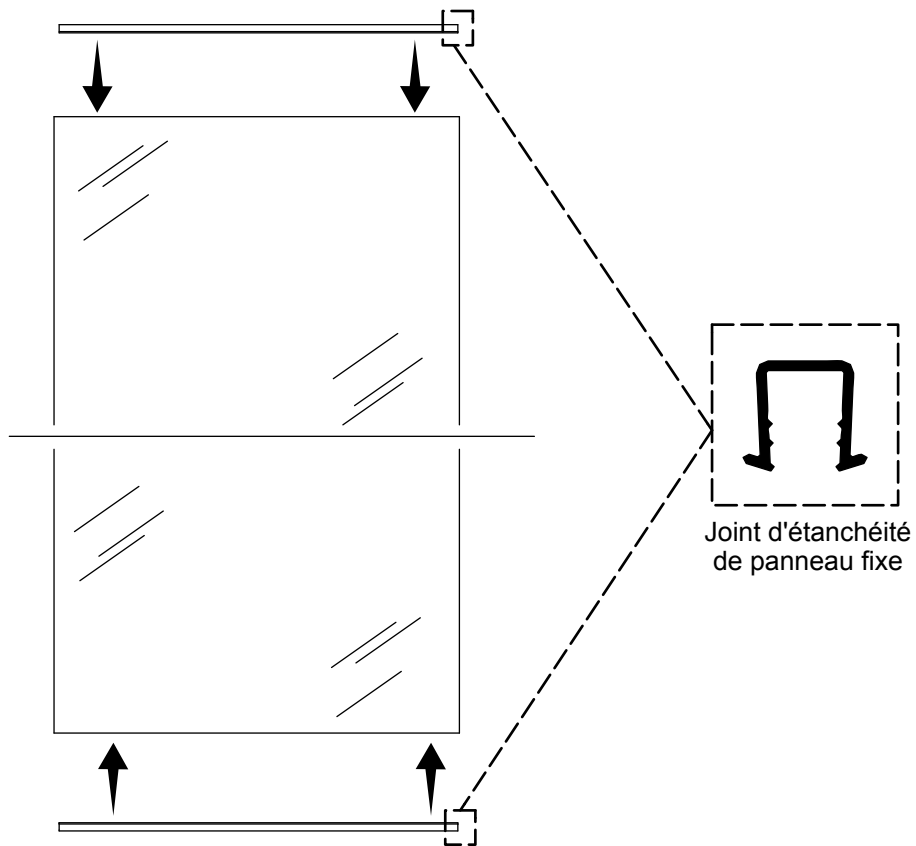


**REMARQUE :** Le bas de la couverture du montant mural du panneau fixe doit reposer sur le rebord du seuil.

**REMARQUE :** Le joint d'étanchéité du montant mural se prolongera dans le canal dans le seuil.

- Glisser le joint d'étanchéité du montant mural dans la couverture du montant mural du panneau fixe.
- Appuyer la couverture du montant mural du panneau fixe sur le montant mural du panneau fixe. Au besoin, utiliser un maillet en caoutchouc pour installer la couverture du montant mural du panneau fixe.

## 7. Installer les joints d'étanchéité du panneau fixe



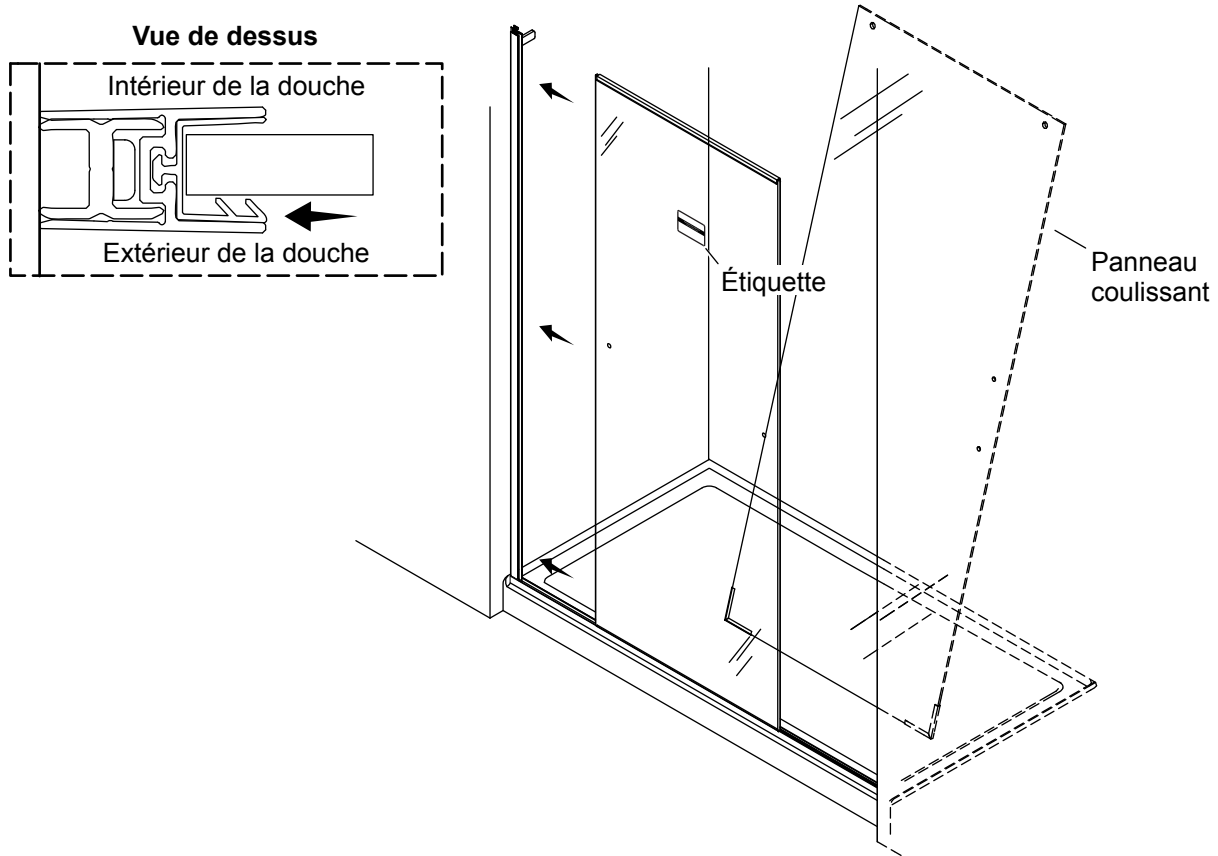
**IMPORTANT!** Les joints d'étanchéité doivent être alignés avec le rebord du panneau fixe qui est dirigé vers le côté opposé du mur.

**REMARQUE :** Les deux joints d'étanchéité du panneau fixe sont les mêmes.

- Retirer les protecteurs de coins du panneau fixe.
- Enfoncer les joints d'étanchéité du panneau fixe sur le haut et le bas du panneau fixe.



## 8. Installer le panneau fixe



**IMPORTANT!** Le panneau coulissant doit être déplacé dans la zone de la douche avant d'installer le linteau.

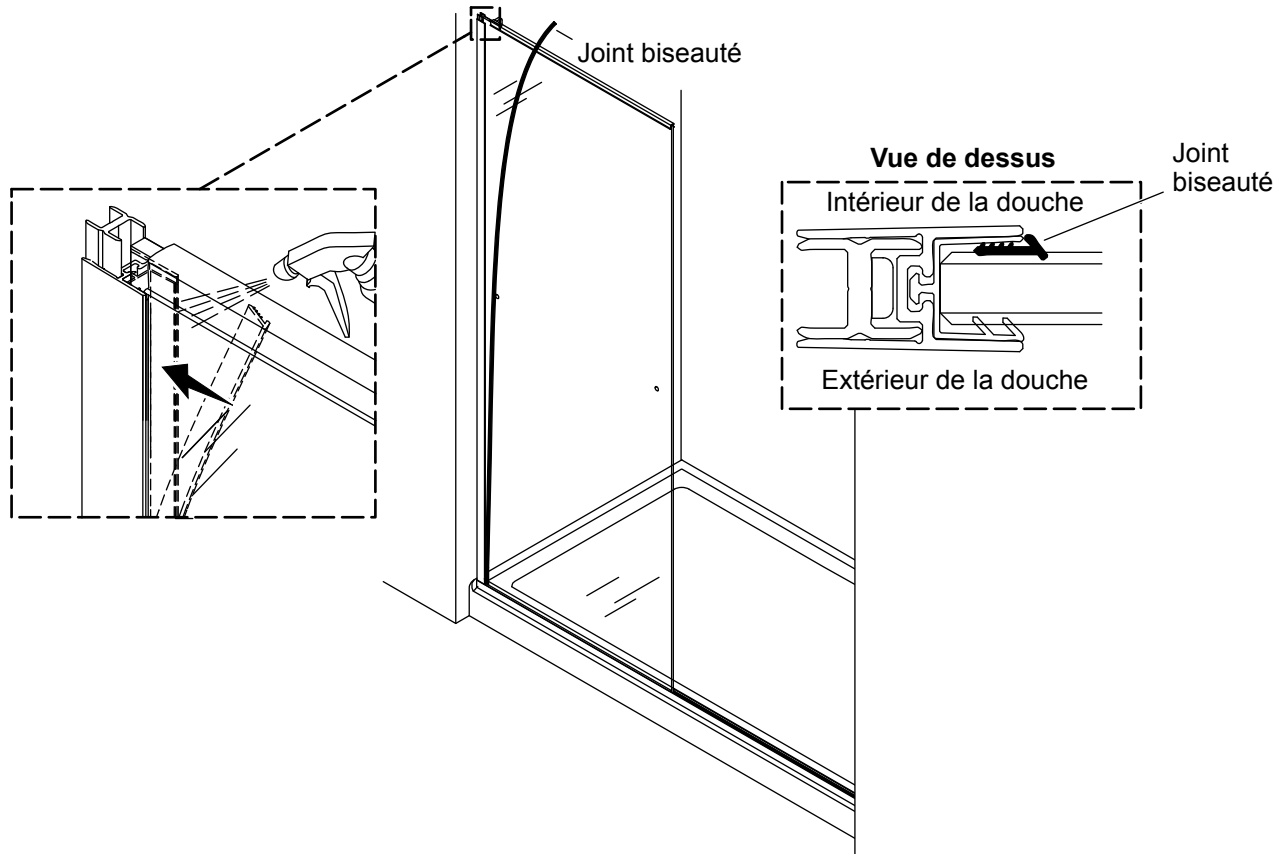
**IMPORTANT!** L'étiquette se trouvant sur le panneau fixe doit être tournée vers l'extérieur de la douche.

**REMARQUE :** Ne pas retirer les protecteurs de coins du panneau coulissant.

**REMARQUE :** Le panneau coulissant reste dans la zone de la douche jusqu'à l'installation dans la section « Installer le panneau coulissant ».

- Avec de l'aide, déplacer entièrement le panneau coulissant dans la zone de la douche.
- Retirer le ruban adhésif du seuil.
- Installer le panneau fixe dans le montant mural du panneau fixe et le seuil.
- Vérifier que le panneau fixe est entièrement assis dans le seuil et entièrement enfoncé dans la couverture du montant du panneau fixe.

## 9. Installer les joints d'étanchéité biseautés



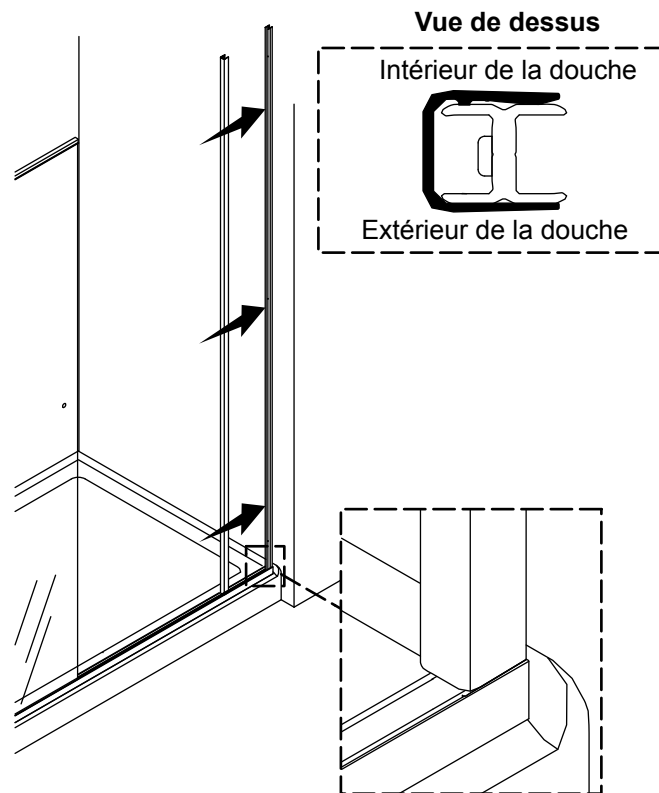
**ATTENTION : Risque d'endommagement du produit.** Ne pas utiliser d'objets tranchants pour pousser les joints d'étanchéité biseautés en place.

**REMARQUE :** Le support de verre peut être utilisé pour pousser le joint d'étanchéité biseauté dans la couverture du montant mural.

**REMARQUE :** Il est possible d'utiliser de l'eau pour faciliter l'insertion complète du joint biseauté dans la couverture du montant mural.

- Mesurer à partir du joint d'étanchéité du panneau fixe se trouvant dans le seuil jusqu'au haut de la couverture du montant mural du panneau fixe et couper le joint biseauté à cette longueur.
- À partir du bas, pousser le joint biseauté entièrement entre la couverture du montant mural du panneau fixe et le panneau fixe, comme sur l'illustration.
- Couper toute longueur excessive du joint biseauté.

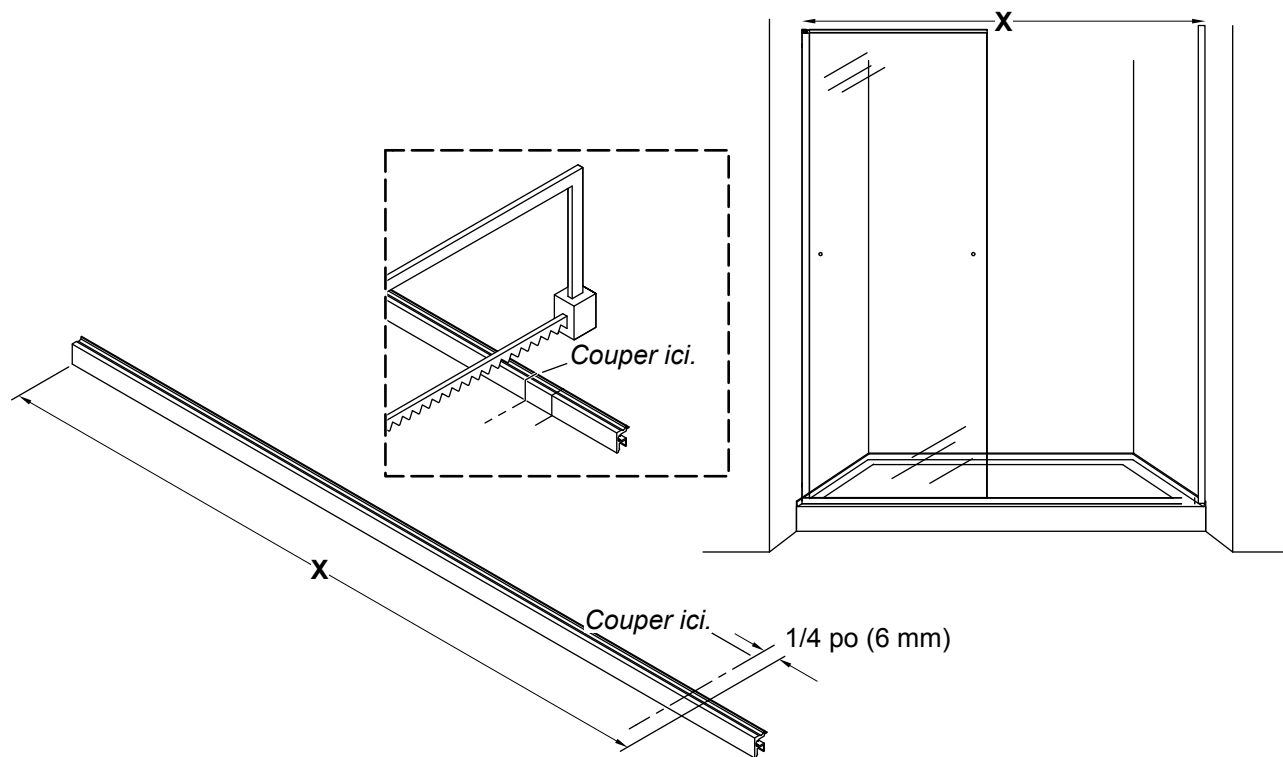
## 10. Installer la couverture du montant mural du panneau coulissant



**REMARQUE :** Le bas de la couverture du montant mural du panneau coulissant doit reposer sur le rebord du seuil.

- Enfoncer la couverture du montant mural du panneau coulissant sur le montant mural du panneau coulissant. Au besoin, utiliser un maillet en caoutchouc pour installer la couverture du montant mural du panneau coulissant.

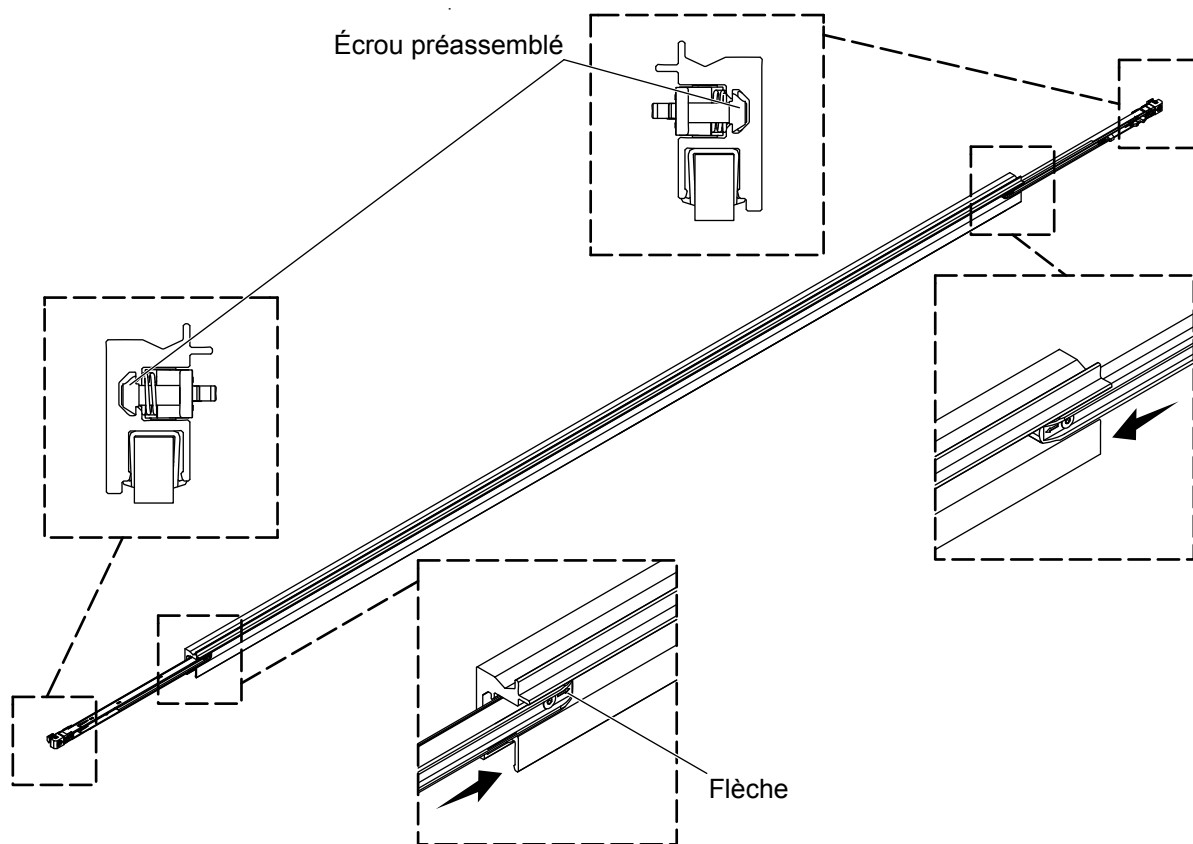
## 11. Mesurer et couper le linteau



**IMPORTANT!** Vérifier les mesures avant de couper. Ne pas couper le linteau trop court.

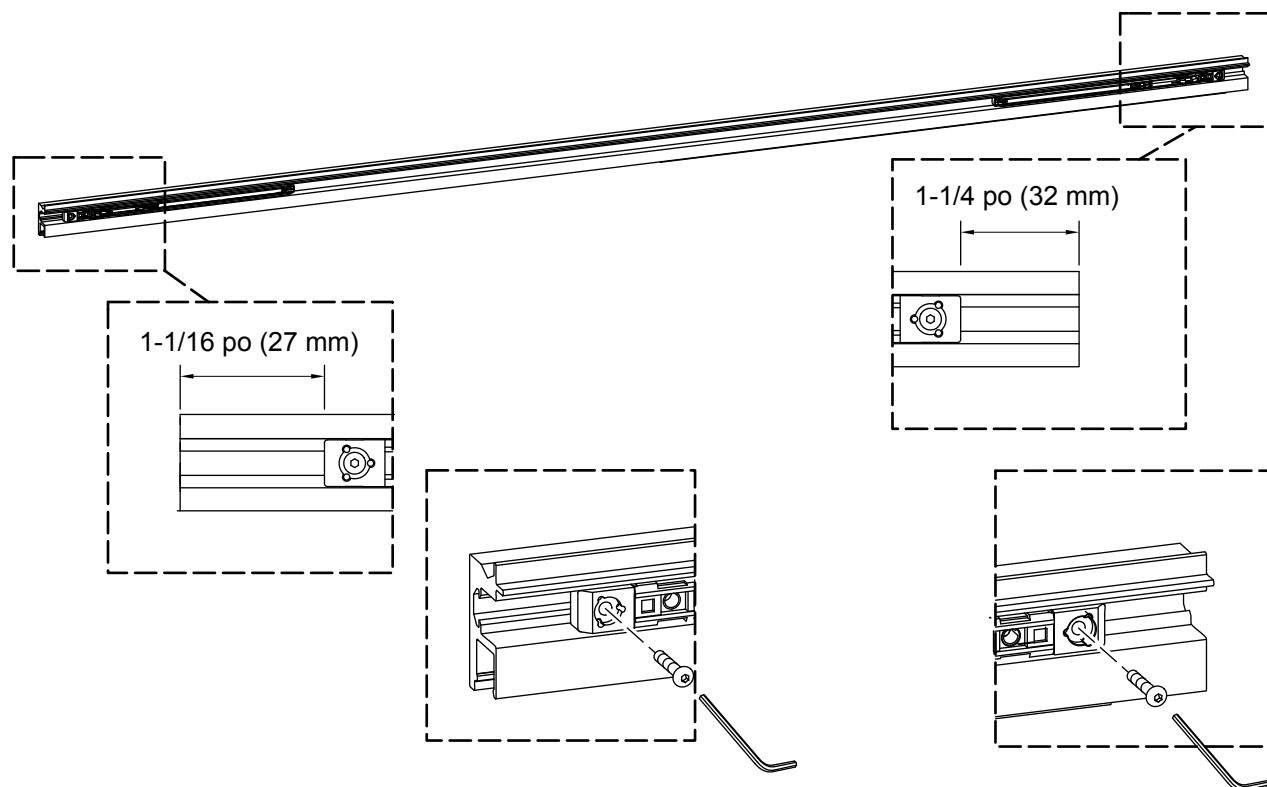
- Mesurer la distance « X » entre les murs de la douche et marquer la distance sur le linteau.
- Soustraire 1/4 po (6 mm) à partir de « X » et placer un deuxième repère sur le linteau, comme sur l'illustration.
- Couper le linteau au niveau du deuxième repère.
- Limer tous les bords rugueux et éliminer les débris des rails des galets.

## 12. Assembler le linteau



- Commencer à glisser un ensemble à fermeture lente dans l'un des côtés du linteau. La flèche indique la direction correcte, comme sur l'illustration.
- Vérifier que l'écrou de préassemblage est assis dans le canal central du linteau.
- Continuer à glisser l'ensemble à fermeture lente dans le linteau, en comprimant le ressort au besoin pour guider le ressort dans le canal du linteau, comme sur l'illustration.
- Répéter les étapes d'installation pour l'autre ensemble à fermeture lente sur le côté opposé du linteau.

## 13. Ajuster le linteau

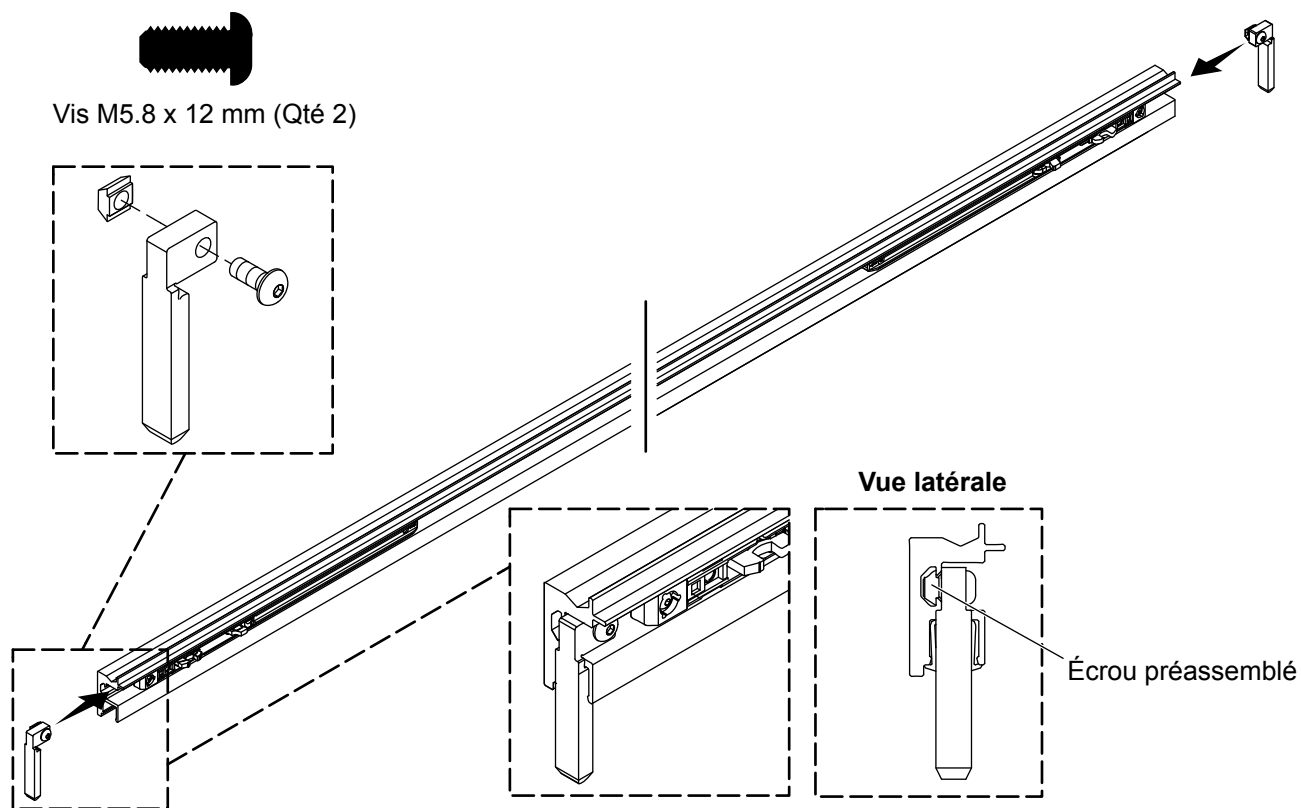


**IMPORTANT!** Si les ensembles à fermeture lente ne sont pas serrés solidement, la porte pourrait ne pas fonctionner comme prévu.

**REMARQUE :** Lorsqu'il est installé correctement, le ressort de l'ensemble à fermeture lente devrait pousser une extrémité du mécanisme vers l'extérieur du linteau.

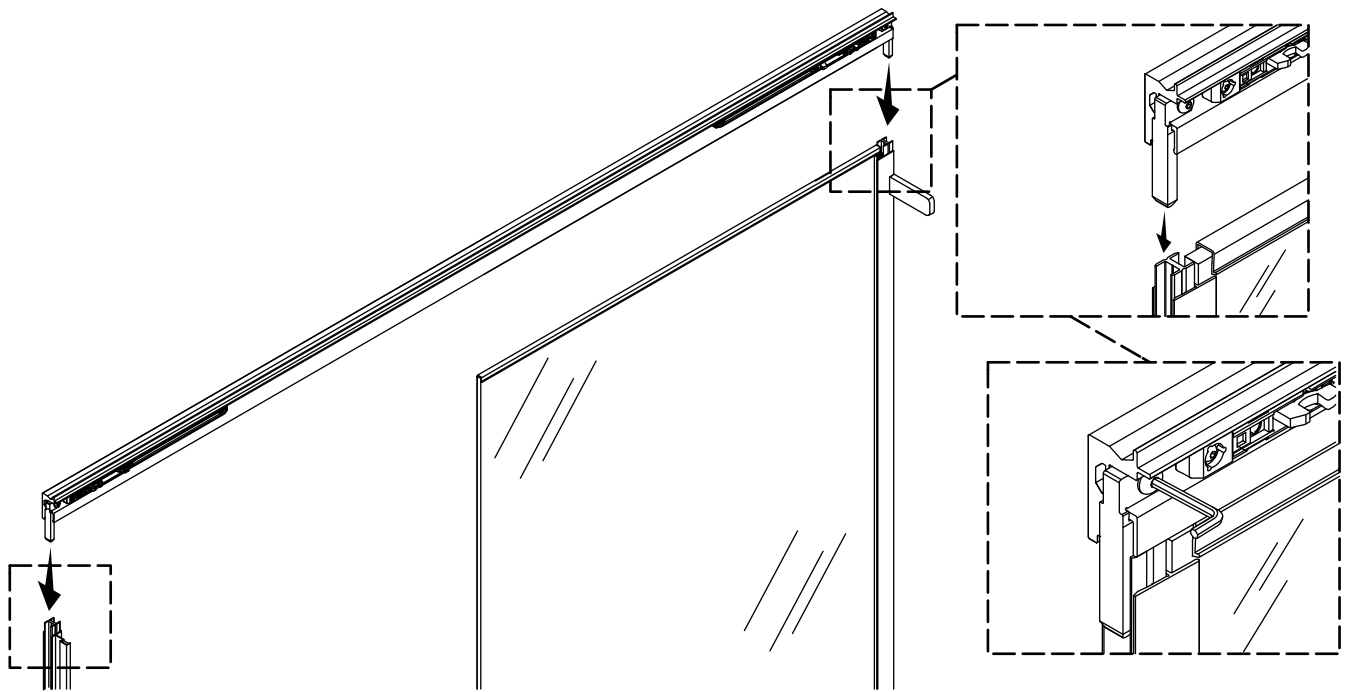
- Glisser l'ensemble à fermeture lente sur le côté du panneau fixe de 1-1/4 po (32 mm) à partir de l'extrémité du linteau.
- Serrer solidement les vis sur chaque extrémité de l'ensemble avec une clé hexagonale de 2 mm.
- Glisser l'autre ensemble à fermeture lente de 1-1/16 po (27 mm) à partir de l'extrémité du linteau sur le côté du panneau coulissant.
- Serrer solidement les vis sur chaque extrémité de l'ensemble avec une clé hexagonale de 2 mm.

## 14. Installer les supports du linteau



- Assembler l'écrou de préassemblage sur le support du linteau avec la vis M5.8 x 12 fournie.
- Insérer un support de linteau dans chaque extrémité du linteau de manière à ce que le support soit à ras de l'extrémité du linteau.
- Vérifier que l'écrou de préassemblage se trouve dans le canal du linteau.
- Fixer le support de manière lâche avec une clé hexagonale de 3 mm.

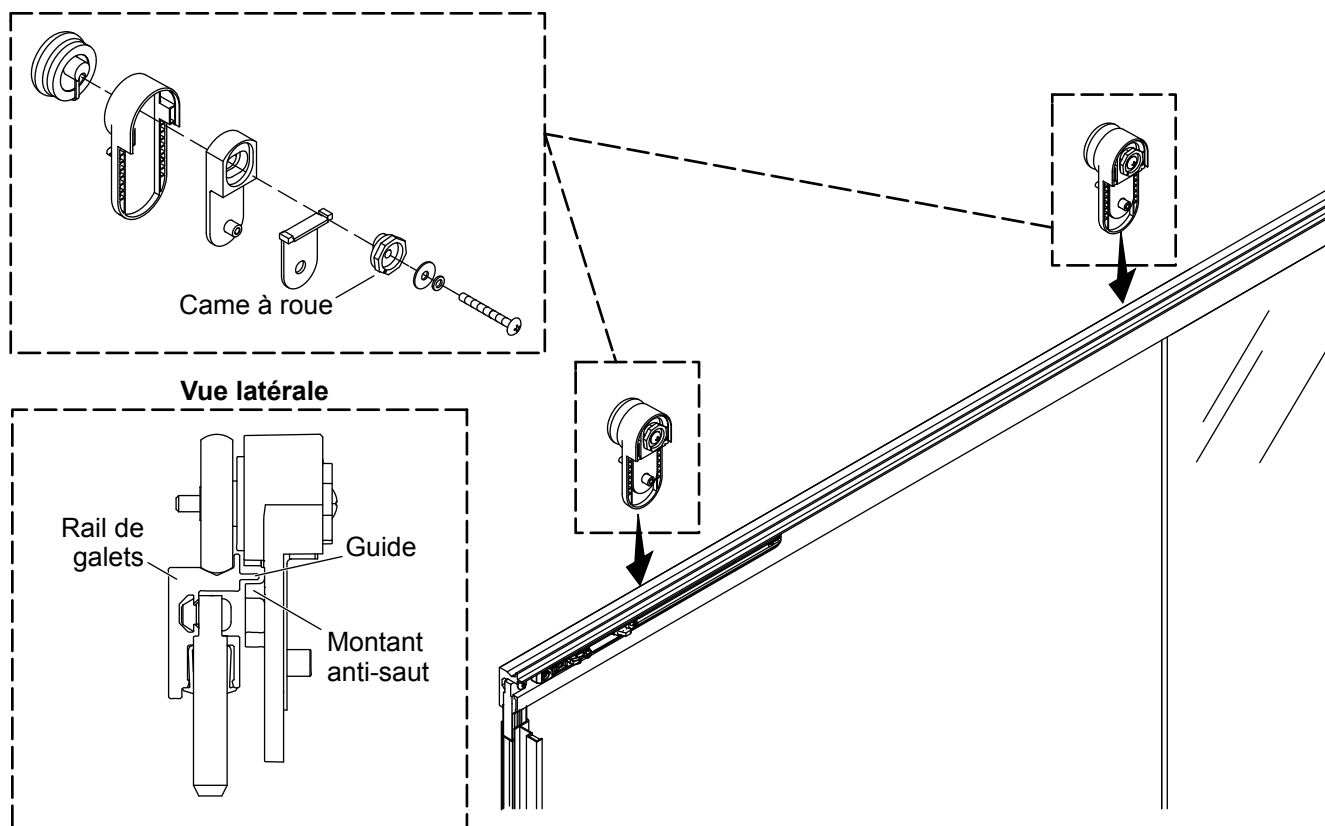
## 15. Installer le linteau



- Poser le linteau sur le dessus des montants muraux de manière à ce que les supports du linteau glissent entre le mur et le montant mural.
- Appuyer sur le linteau jusqu'à ce qu'il soit assis sur les deux montants muraux et que le panneau fixe soit entièrement inséré dans le canal inférieur sur le linteau. Au besoin, utiliser un maillet en caoutchouc pour entièrement assoir le linteau sur le panneau fixe.
- Serrer entièrement les vis sur le support du linteau pour fixer le linteau en place.

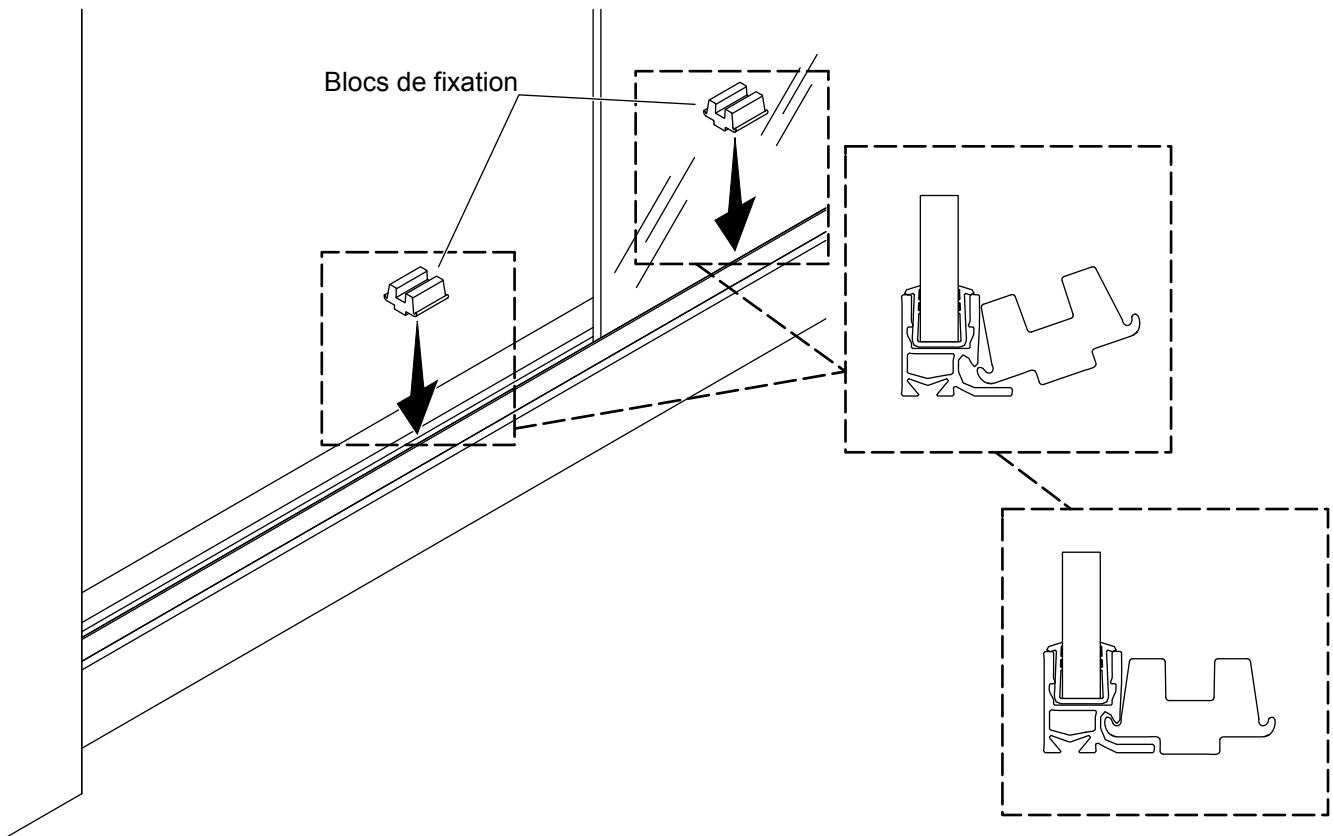


## 16. Installer les galets



- Assembler lâchement chaque ensemble de galets.
- Poser chaque ensemble de galets sur le linteau de manière à ce que le galet se trouve dans le rail de galets et que le montant anti-saut se trouve sous le guide dans le linteau.
- Glisser les ensembles de galets sur chaque extrémité du linteau.

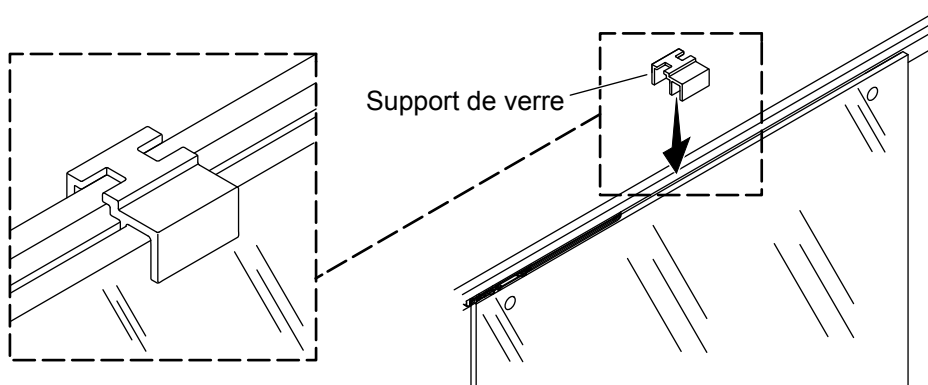
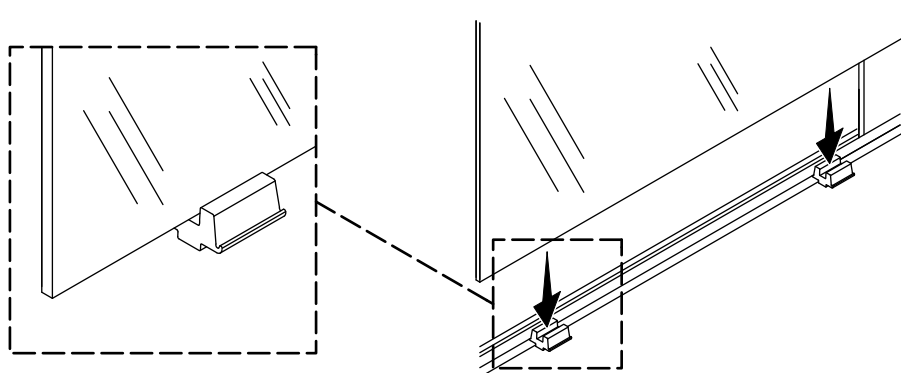
## 17. Positionner les blocs de fixation



**REMARQUE :** Installer les blocs de fixation sur le seuil de manière à ce que le panneau coulissant soit positionné dans le centre de l'ouverture de la douche.

- Tourner les blocs de fixation pour les mettre en place dans la rainure du seuil, comme sur l'illustration.

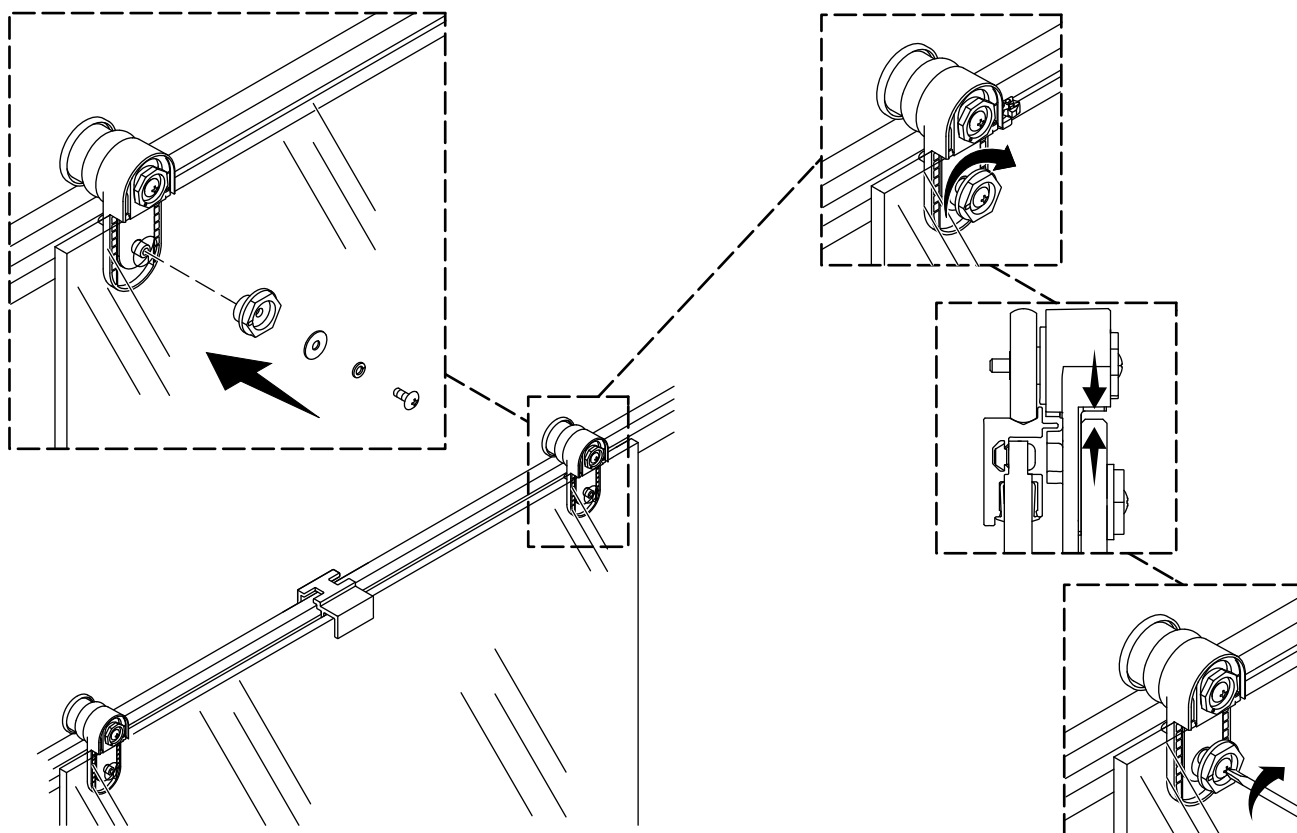
## 18. Positionner le panneau coulissant



**REMARQUE :** Amener un tournevis cruciforme, une clé à molette et les pièces de galets de la section « Fixer les ensembles de galets » dans la douche avant de positionner le panneau coulissant dans les blocs de fixation.

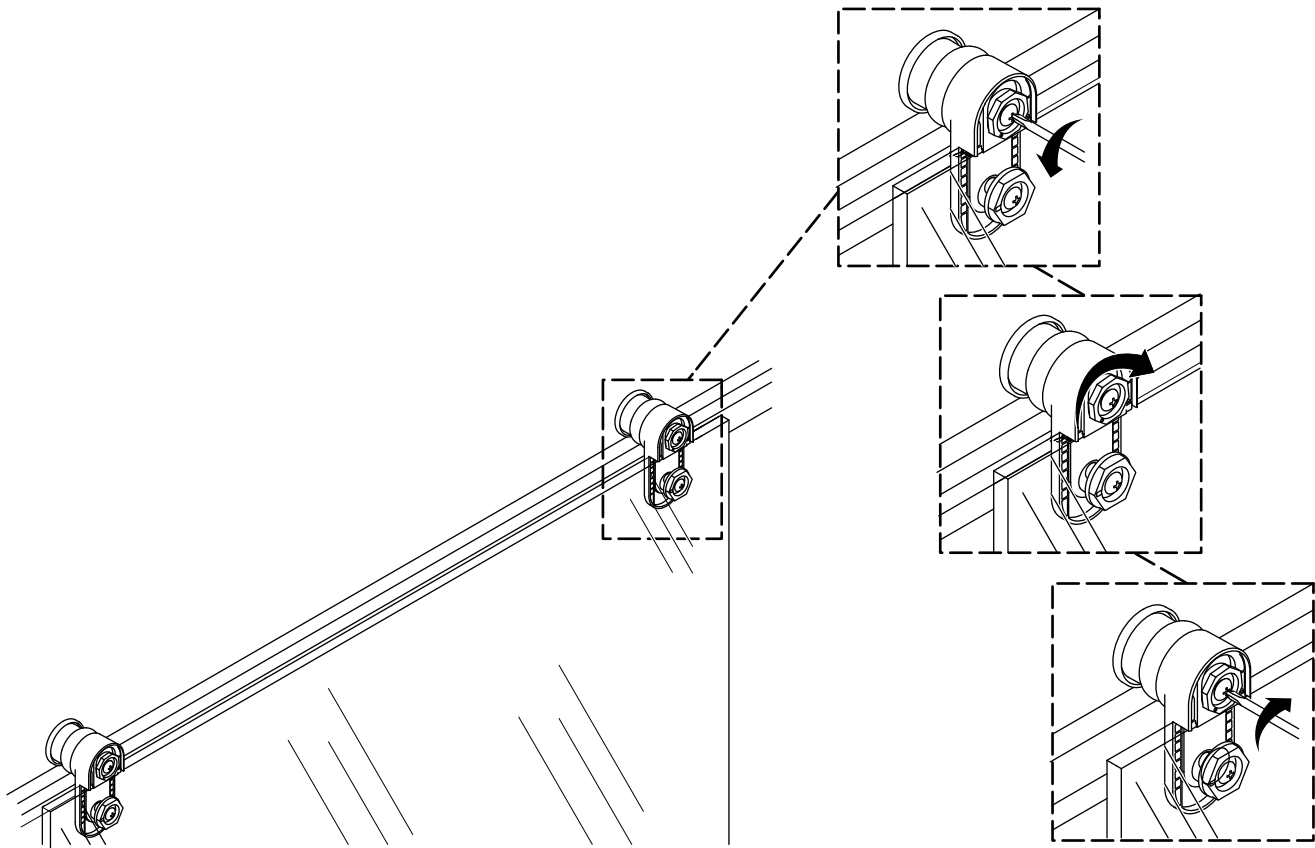
- Poser le panneau coulissant dans le canal de chaque bloc de fixation.
- Basculer le panneau à la verticale.
- Poser le support de verre sur le linteau et le panneau coulissant de manière à ce que le support de verre maintienne le panneau coulissant en place.

## 19. Fixer les ensembles de galets



- Retirer les protecteurs de coins supérieurs.
- Glisser l'un des ensembles de galets entre le linteau et le panneau de verre jusqu'à ce que le montant se trouve à l'intérieur du trou de verre.
- Fixer lâchement la came de verre sur l'ensemble de galets.
- Répéter pour le deuxième ensemble de galets.
- Retirer le support de verre.
- À l'aide d'une clé à molette, tourner chaque came de verre jusqu'à ce que le panneau coulissant soit bien serré contre chaque joint statique de galet.
- Tout en maintenant la came de verre en place avec une clé à molette, entièrement serrer la vis sur chaque came de verre pour fixer les ensembles de galets sur le panneau coulissant.

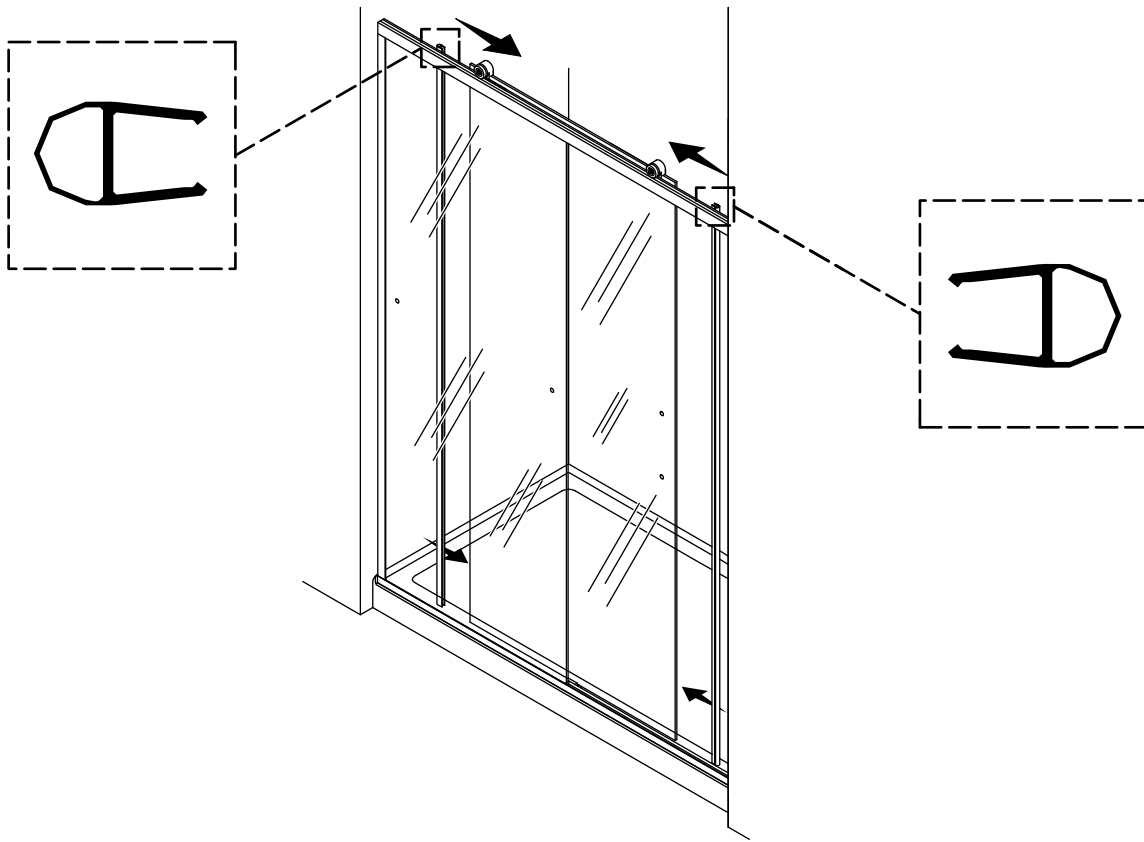
## 20. Élever le panneau coulissant



**REMARQUE :** Lever un côté du panneau coulissant pour que la came de roue puisse être tournée plus facilement, au besoin.

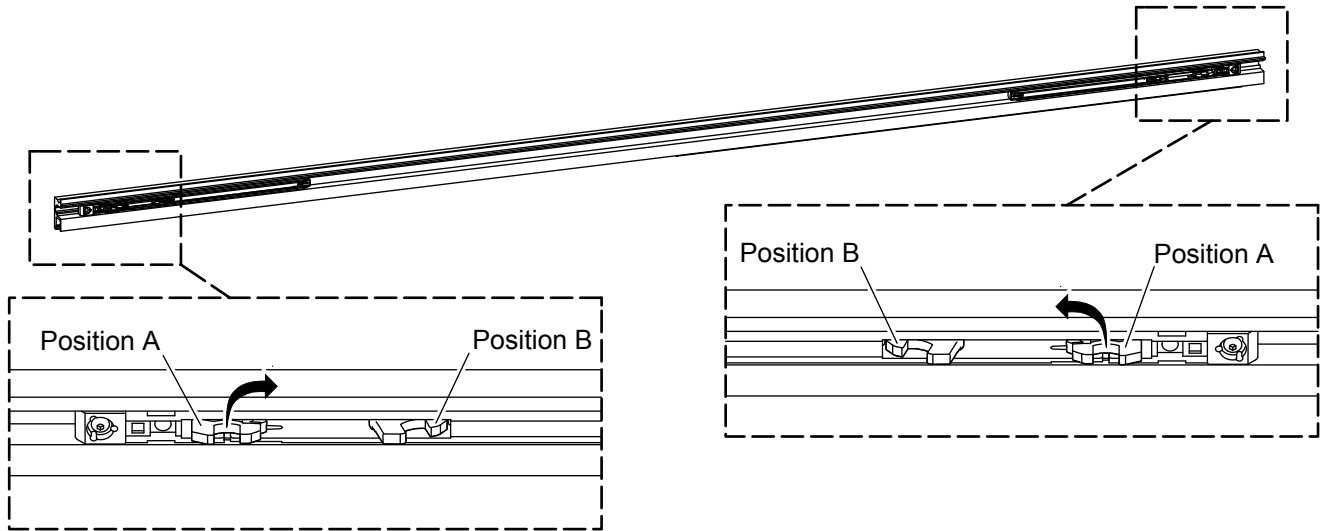
- Desserrer la vis de came à roue.
- À l'aide d'une clé à molette, tourner la came à roue pour lever le panneau vers le haut et le retirer des blocs de fixation.
- Tout en maintenant la came à roue en place avec une clé à molette, serrer complètement la vis de came à roue pour la fixer en place.
- Répéter pour la deuxième came à roue.
- Ne pas retirer les protecteurs de coins inférieurs.
- Retirer les blocs de fixation.
- Vérifier que les vis sont serrées et que les ensembles de galets sont bien fixés en place.

## 21. Installer les joints d'étanchéité du panneau coulissant



- Installer les joints d'étanchéité à bourrelet sur chaque côté du panneau coulissant.

## 22. Ajuster l'ensemble à fermeture lente



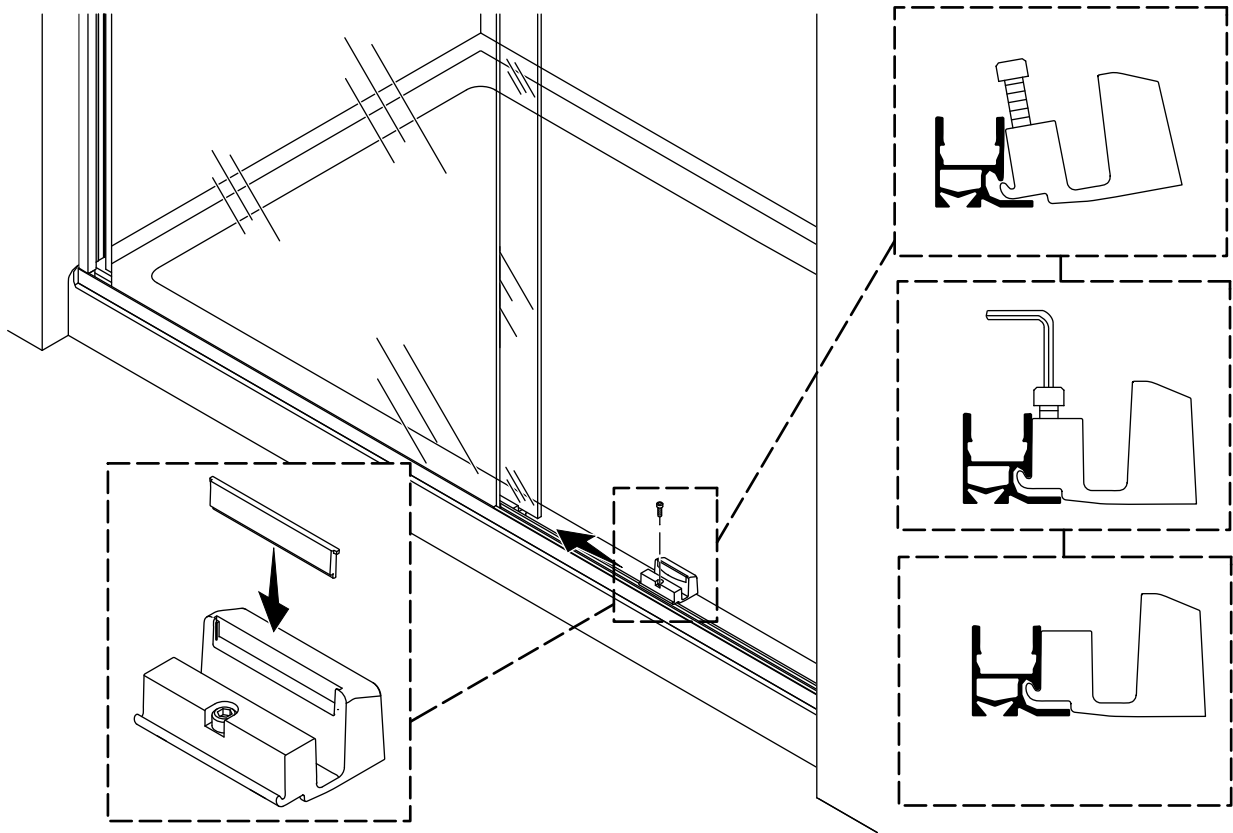
**REMARQUE :** Lorsque la porte est fermée, le joint d'étanchéité à bourrelet doit être entièrement assis contre le mur. Au besoin, effectuer des ajustements pour l'aplomb selon la section « Ajuster le panneau coulissant ». Si un ajustement supplémentaire est nécessaire, desserrer les vis sur l'ensemble à fermeture lente et ajuster le positionnement dans le linteau selon la section « Ajuster le linteau ».

- Sur le côté du panneau coulissant du linteau, utiliser l'outil rouleau de support de verre pour glisser le loquet de l'ensemble à fermeture lente vers le centre du linteau jusqu'à ce que le loquet se verrouille en place dans la position B.

**REMARQUE :** Si l'ensemble à fermeture lente du côté du panneau fixe du linteau interdit d'ouvrir la porte comme souhaité, cet ensemble à fermeture lente peut être supprimé de l'installation.

- Sur le côté du panneau fixe, utiliser l'outil de support de verre pour glisser le loquet de l'ensemble à fermeture lente vers le centre du linteau jusqu'à ce que le loquet se verrouille en place dans la position B.

## 23. Installer le guide central

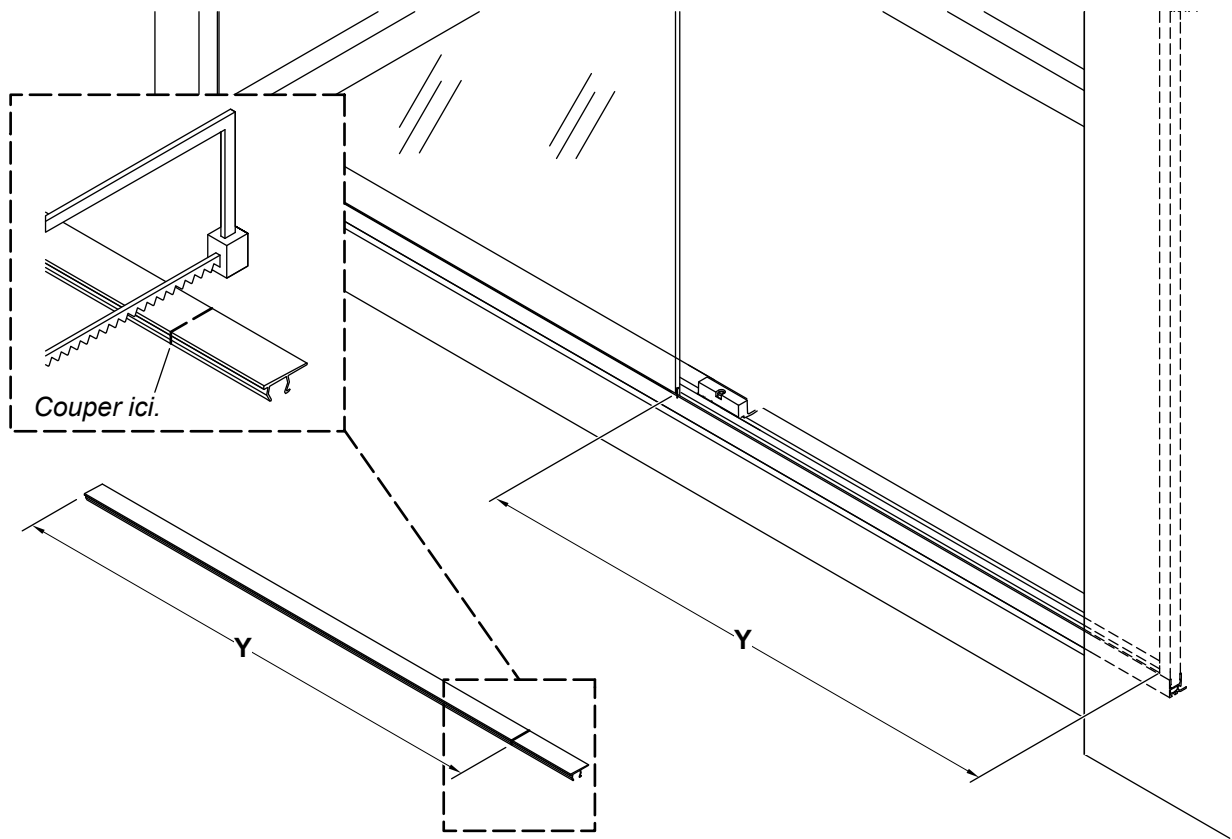


**IMPORTANT!** Le guide central doit être entièrement assis à l'arrière de la lèvre du seuil, comme sur l'illustration.

- Glisser le panneau de porte sur l'extrémité du panneau fixe de la douche.
- Enfiler la vis partiellement dans le trou du guide central. La vis ne doit pas faire saillie à partir du fond du guide central.
- Glisser la garniture du guide central dans la fente dans le guide central.
- Tourner le guide central pour le mettre en place dans la rainure du seuil, comme sur l'illustration.
- Déplacer le guide central le long du seuil jusqu'à ce que le bord du guide soit aligné sur le bord du panneau fixe.
- Glisser le panneau de porte dans le canal du guide central.
- Serrer la vis à la main avec une clé hexagonale de 5/32 po, puis serrer d'un demi-tour supplémentaire.

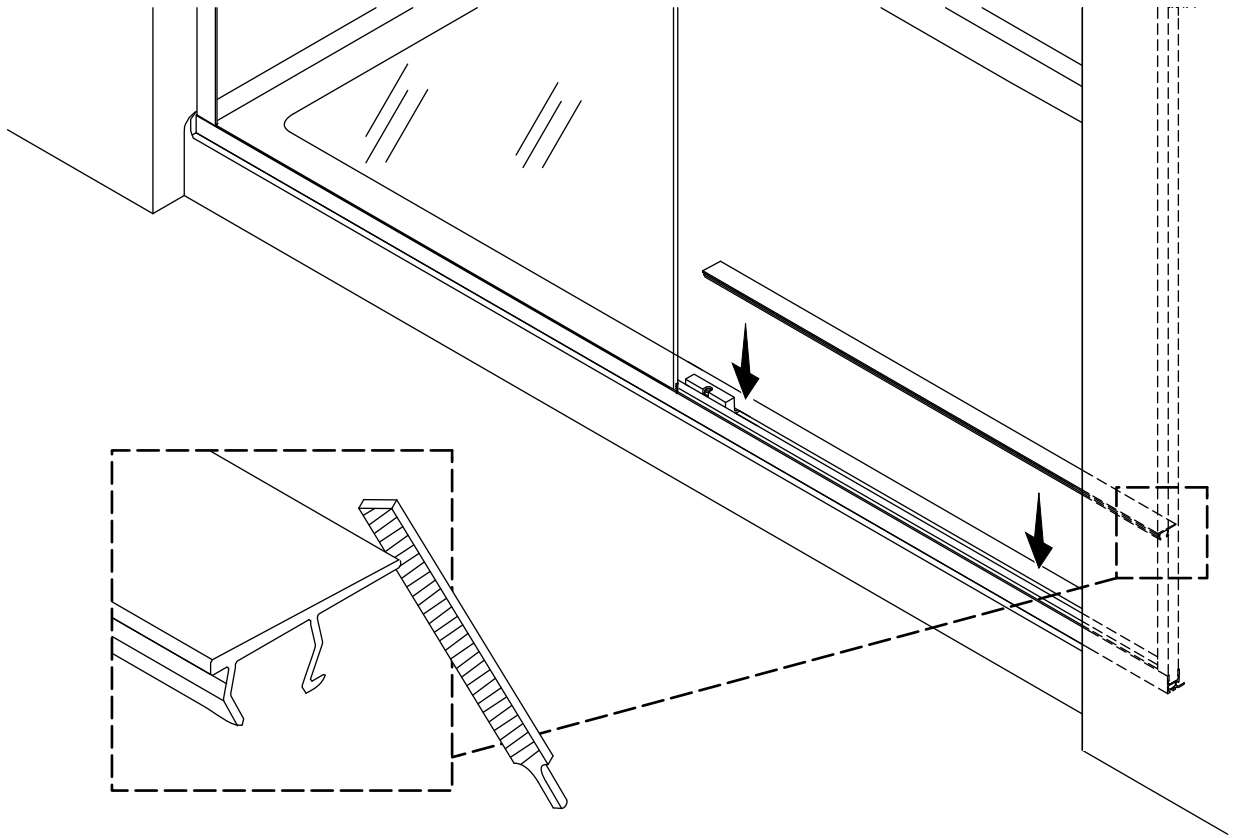


## 24. Mesurer et couper la couverture du seuil



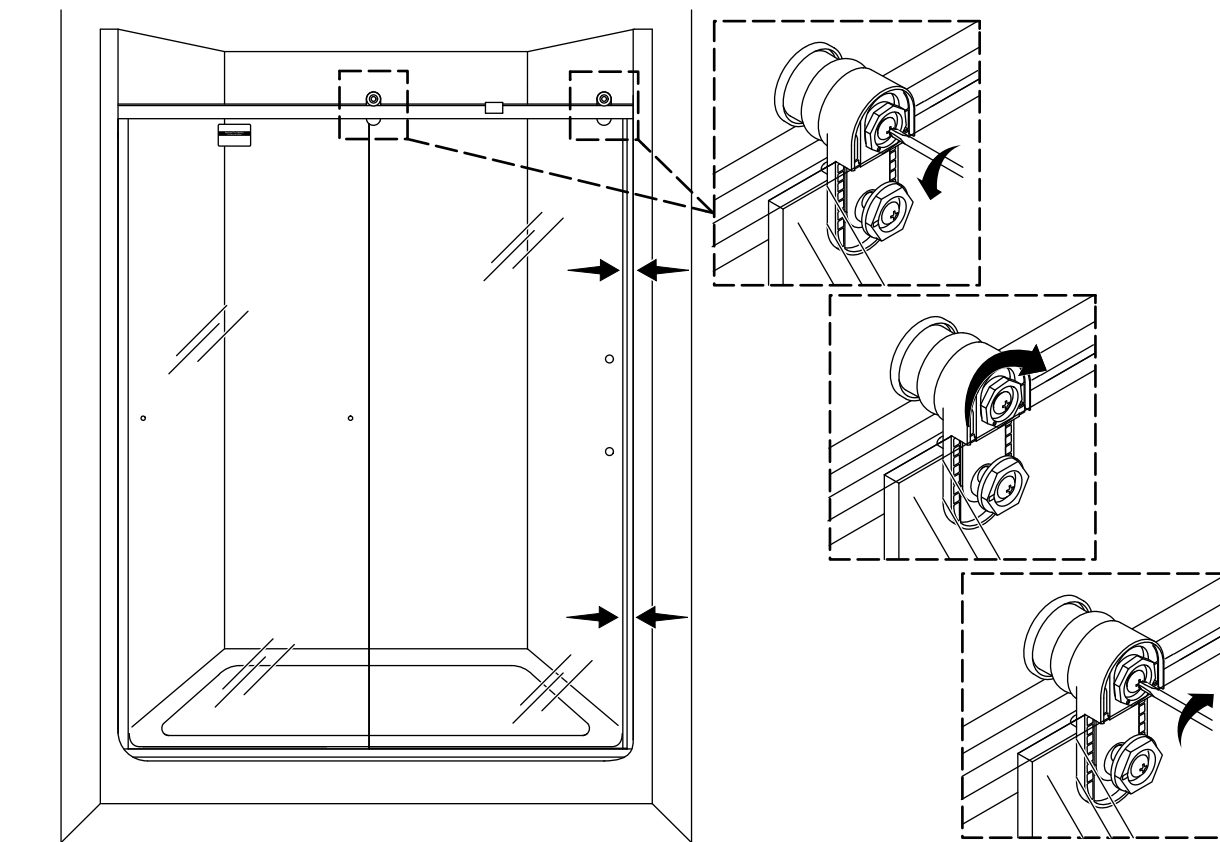
- Mesurer « Y » entre le bord du panneau fixe et la couverture du montant mural.
- Marquer « Y » sur la couverture du seuil.
- Couper la couverture du seuil au niveau de la ligne marquée et limer tous les bords rugueux.

## 25. Installer la couverture du seuil



- À l'aide d'une lime, arrondir le coin de la couverture du seuil qui est dirigé vers le montant mural et l'intérieur de la douche.
- Enfoncer la couverture du seuil dans le seuil comme sur l'illustration.
- Vérifier que la couverture du seuil est entièrement assise sur le seuil.

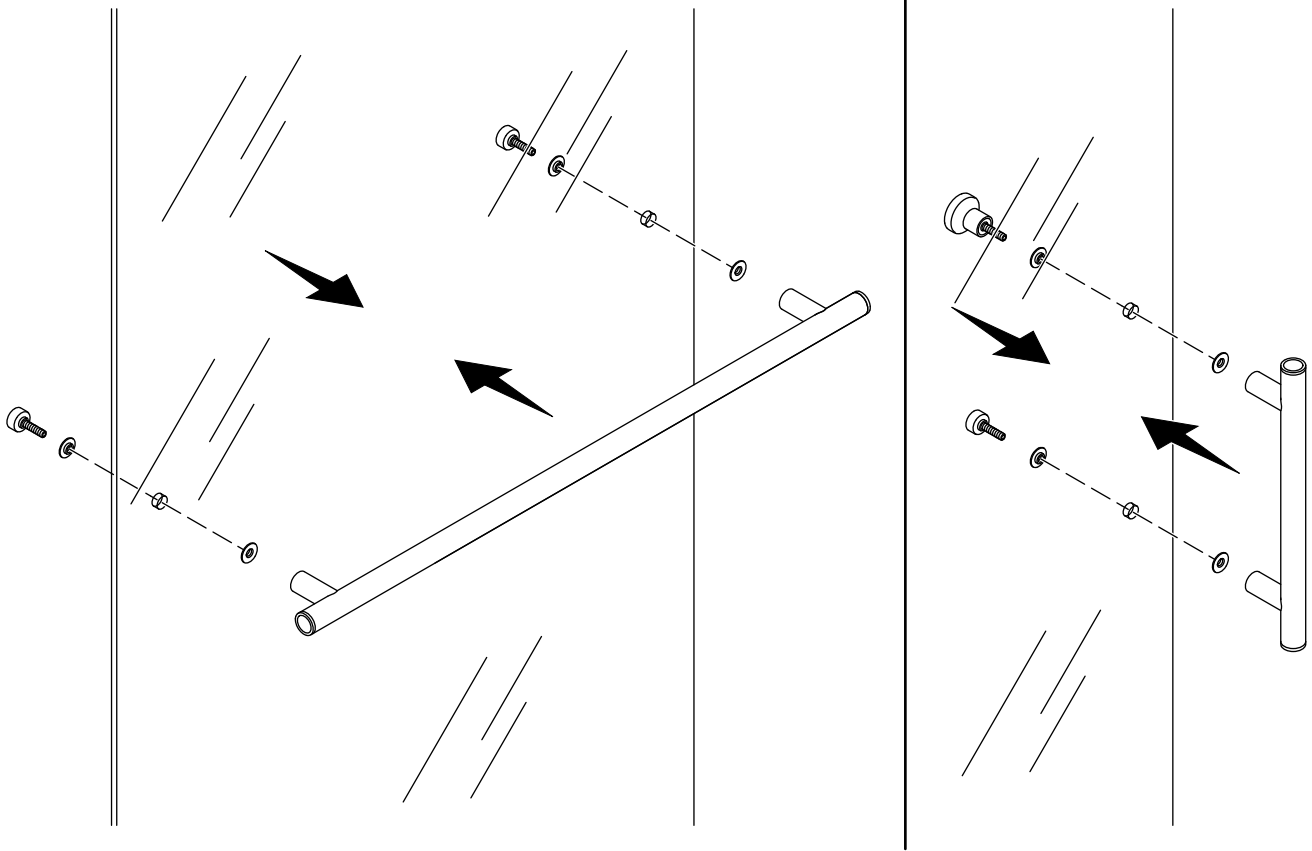
## 26. Ajuster le panneau coulissant



- Desserrer la vis sur la came à roue supérieure de l'ensemble de galets.
- À l'aide d'une clé à molette, tourner la came à roue pour déplacer le panneau vers le haut et le bas.
- Lever ou abaisser chaque côté du panneau au besoin, jusqu'à ce que le joint d'étanchéité à bourrelet entre entièrement en contact avec le mur, du haut jusqu'au bas.

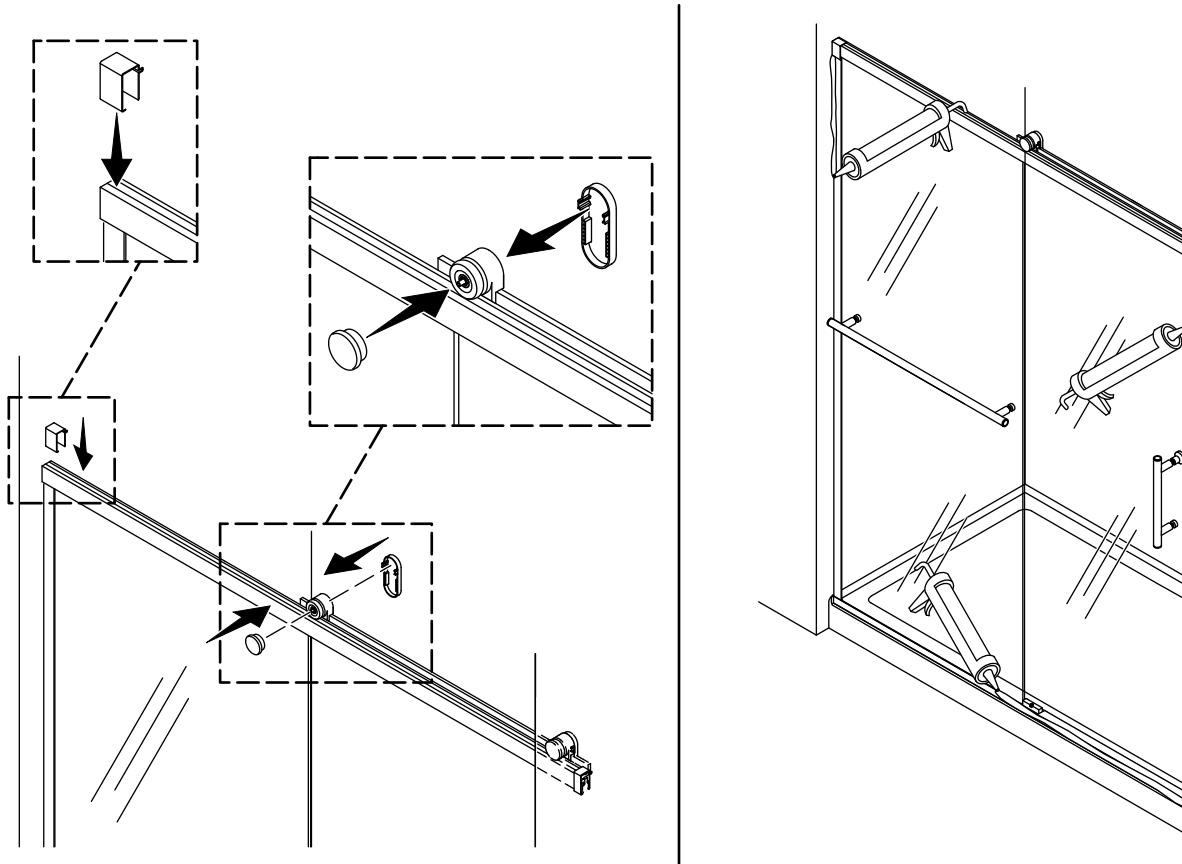
## 27. Installer la poignée et le porte-serviettes

FR



- Installer un joint statique sur chaque côté des trous du verre.
- Aligner la poignée et le porte-serviettes avec les trous sur le côté extérieur de la douche.
- Enfoncer une vis à travers chaque trou et enfiler chaque vis dans la poignée et le porte-serviettes pour fixer en place.

## 28. Terminer l'installation



**REMARQUE :** Laisser un écartement entre le couvercle du galet et le galet une fois l'installation terminée.

**REMARQUE :** La couverture mince du linteau est installée sur le côté du panneau coulissant.

- Appliquer du mastic à la silicone à 100 % sur les rebords extérieurs des montants muraux et du seuil.
- Installer les couvertures sur l'intérieur et l'extérieur des ensembles de galets.
- Installer les couvercles du linteau sur les extrémités du linteau. Fixer en place avec du mastic d'étanchéité à la silicone si nécessaire.

## Dépannage

Ce guide de dépannage est destiné à fournir une aide d'ordre général uniquement. Pour obtenir un service de garantie, s'adresser au concessionnaire ou au distributeur en gros, ou s'adresser au centre de services à la clientèle en utilisant les renseignements fournis à l'avant de ce manuel.

Symptômes	Cause probable	Action recommandée
1. La porte fait du bruit lorsqu'elle est ouverte ou fermée.	<p><b>A.</b> Le joint biseauté entre le panneau fixe et le montant mural est manquant ou n'est pas complètement installé.</p> <p><b>B.</b> Les panneaux de porte sont placés trop bas, et raclent la base du guide central ou le rebord de la baignoire/base de la douche.</p> <p><b>C.</b> Les galets sont desserrés.</p> <p><b>D.</b> Les galets sont usés et bruyants.</p> <p><b>E.</b> Des débris sont présents dans le rails des galets.</p>	<p><b>A.</b> Installer le joint biseauté et le pousser complètement en place conformément à la section « Installer le joint biseauté ».</p> <p><b>B.</b> Ajuster les galets pour élever le panneau de porte coulissant. Se référer à la section « Ajuster le panneau coulissant ».</p> <p><b>C.</b> Serrer les boulons des galets en utilisant les outils nécessaires.</p> <p><b>D.</b> Remplacer les galets.</p> <p><b>E.</b> Retirer le panneau de porte et nettoyer le rail de galets avec de l'air comprimé ou un chiffon propre. Vérifier qu'aucun débris ne se trouve sur les galets.</p>
2. Il est difficile de déplacer la porte ou elle ne s'ouvre pas.	<p><b>A.</b> Le panneau de porte est placé trop bas et racle la base du guide central ou le rebord de la baignoire/base de douche.</p> <p><b>B.</b> Les galets sont desserrés.</p>	<p><b>A.</b> Ajuster les galets pour élever le panneau de porte coulissant. Se référer à la section « Ajuster le panneau coulissant ».</p> <p><b>B.</b> Serrer les boulons de galets en utilisant les outils nécessaires.</p>
3. Le panneau de la porte peut basculer librement vers l'intérieur et l'extérieur de la douche.	<p><b>A.</b> Le guide central n'est pas installé.</p> <p><b>B.</b> Le guide central n'est pas installé dans l'emplacement correct.</p> <p><b>C.</b> Le panneau de porte n'est pas installé correctement sur le guide central.</p> <p><b>D.</b> Le panneau de porte est trop élevé.</p>	<p><b>A.</b> Installer le guide central selon la section « Installer le guide central ».</p> <p><b>B.</b> Installer le guide central dans l'ouverture de passage et vérifier que le guide central est aligné avec le bord du panneau fixe.</p> <p><b>C.</b> Le panneau en verre doit être positionné dans le canal du guide central.</p> <p><b>D.</b> Ajuster les galets pour abaisser le panneau de porte coulissant. Se référer à la section « Ajuster le panneau coulissant ».</p>
4. Le guide central est desserré.	<p><b>A.</b> La vis du guide central n'est pas serrée.</p>	<p><b>A.</b> Serrer la vis à la main avec une clé hexagonale de 5/32 po, puis serrer d'un demi-tour supplémentaire.</p>

Symptômes	Cause probable	Action recommandée
<p><b>5.</b> Fuites d'eau.</p>	<p><b>A.</b> Des fuites d'eau sont présentes sous le panneau fixe.</p> <p><b>B.</b> Fuites d'eau entre le mur et le montant mural.</p> <p><b>C.</b> Fuites d'eau entre le panneau coulissant et le mur.</p> <p><b>D.</b> Fuites d'eau entre le panneau coulissant et le panneau fixe.</p>	<p><b>A.</b> Appliquer du mastic d'étanchéité à la silicone à 100 % sur le rebord inférieur extérieur du panneau fixe. Voir les instructions du fabricant du mastic d'étanchéité à la silicone avant d'utiliser la douche.</p> <p><b>B.</b> Appliquer du mastic d'étanchéité à la silicone à 100 % à l'emplacement où le mur entre en contact avec le montant mural, à l'intérieur et à l'extérieur de la douche. Voir les instructions du fabricant du mastic d'étanchéité à la silicone avant d'utiliser la douche.</p> <p><b>C.</b> Ajuster le galet de manière à ce que le joint d'étanchéité à bourrelet situé sur la porte entre en contact avec le mur de manière uniforme. Suivre les instructions dans la section « Ajuster le panneau coulissant ».</p> <p><b>D.</b> Vérifier que les joints d'étanchéité verticaux sont installés correctement.</p>
<p><b>6.</b> L'ensemble à fermeture lente ne tire pas sur la porte pour l'ouvrir ou pour la fermer.</p>	<p><b>A.</b> Le loquet n'est pas dans la position correcte lorsque la porte est fermée.</p> <p><b>B.</b> Le loquet n'est pas dans la position correcte lorsque la porte est ouverte.</p> <p><b>C.</b> Le loquet ne reste pas en position ouverte une fois que la porte a été ouverte.</p>	<p><b>A.</b> Vérifier que le loquet se trouvant dans l'ensemble à fermeture lente le plus proche du mur qui se ferme est dans la position ouverte avant de fermer la porte. Se référer à la section « Ajuster l'ensemble à fermeture lente ».</p> <p><b>B.</b> Vérifier que le loquet se trouvant dans l'ensemble à fermeture lente le plus proche du butoir est dans la position fermée avant d'ouvrir la porte. Se référer à la section « Ajuster l'ensemble à fermeture lente ».</p> <p><b>C.</b> Appeler le centre de service à la clientèle.</p>

# Instrucciones de instalación

## Puerta corrediza de ducha

ES

### Gracias por elegir productos KOHLER

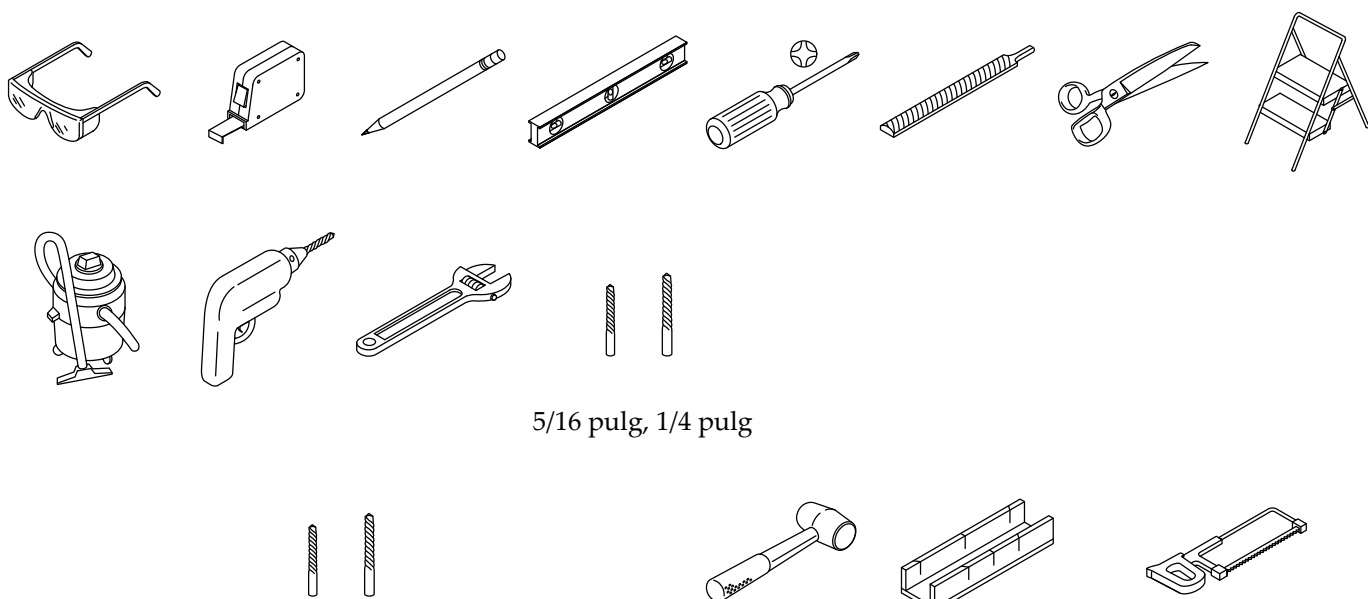
---

¿Necesita ayuda? Comuníquese con nuestro Centro de Atención al Cliente.

- EE. UU./Canadá: 1-800-4KOHLER (1-800-456-4537) México: 001-800-456-4537
- Piezas de repuesto: [kohler.com/serviceparts](http://kohler.com/serviceparts)
- Cuidado y limpieza: [kohler.com/clean](http://kohler.com/clean)
- Patentes: [kohlercompany.com/patents](http://kohlercompany.com/patents)

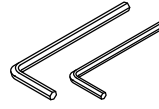
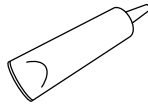
### Herramientas y materiales

---

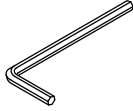


Broca para mampostería para azulejo: 5/16 pulg, 1/4 pulg    Mazo de goma    Caja de ingletes    Hoja de 32 dientes/pulg





Cinta de enmascarar Sellador 100 % de silicona Llaves de apriete hexagonales de 2 mm y 3 mm










Llave de apriete hexagonal de 5/32 pulg

**Más:**

- Tronzadora para metales o sierra circular
- Botella con rociador

## Antes de comenzar

---

-  **AVISO: Riesgo de lesiones graves.** Daños anteriores a la instalación pueden ocasionar que el vidrio se quiebre en pedazos. Antes de hacer la instalación, revise el vidrio y todas las piezas para ver si han sufrido daños.
-  **AVISO: Riesgo de lesiones graves.** Si la instalación se hace de manera incorrecta, el vidrio podría quebrarse en pedazos. Siga todas las instrucciones de instalación.
-  **AVISO: Riesgo de lesiones graves.** No intente cortar el vidrio templado. El vidrio templado se quiebra en pedazos al tratar de cortarlo.
-  **AVISO: Riesgo de lesiones graves.** El panel de la puerta y los paneles laterales de la ducha podrían quebrarse en pedazos. Revise con regularidad el vidrio y todas las piezas para ver si han sufrido daños, si algo falta o si hay piezas sueltas.
-  **AVISO: Riesgo de lesiones graves.** Siempre use anteojos de seguridad al cortar y al taladrar.
-  **AVISO: Riesgo de daños al producto y a la propiedad.** Esta puerta de ducha es demasiado pesada. No instale la puerta a módulos de ducha de plástico o a paneles de yeso, a menos que se proporcione soporte adicional detrás de los parachoques de las jambas murales.
-  **PRECAUCIÓN: Riesgo de lesiones personales.** El vidrio templado no debe hacer contacto con superficies duras, pues el vidrio templado podría quebrarse en pedazos. No toque el borde de un panel de vidrio templado con herramientas ni con ningún otro objeto duro.

**¡IMPORTANTE!** Deje este manual para el usuario final. Lea todas las instrucciones antes de instalar o usar este producto.

**¡IMPORTANTE!** Esta puerta está diseñada para paredes que estén a menos de 3/8" (10 mm) de estar a plomo. Verifique que el área a la que se vaya a fijar la puerta esté a menos de 3/8" (10 mm) de estar a plomo. Es posible que la puerta no funcione correctamente si la pared está fuera de plomo más de 3/8" (10 mm).

**¡IMPORTANTE!** No retire los protectores esquineros de los paneles de puerta, mientras no se hayan instalado estos paneles.

Cubra el desagüe con cinta de enmascarar para evitar perder piezas pequeñas.

Identifique todas las piezas antes de la instalación. Revise que no estén dañadas.

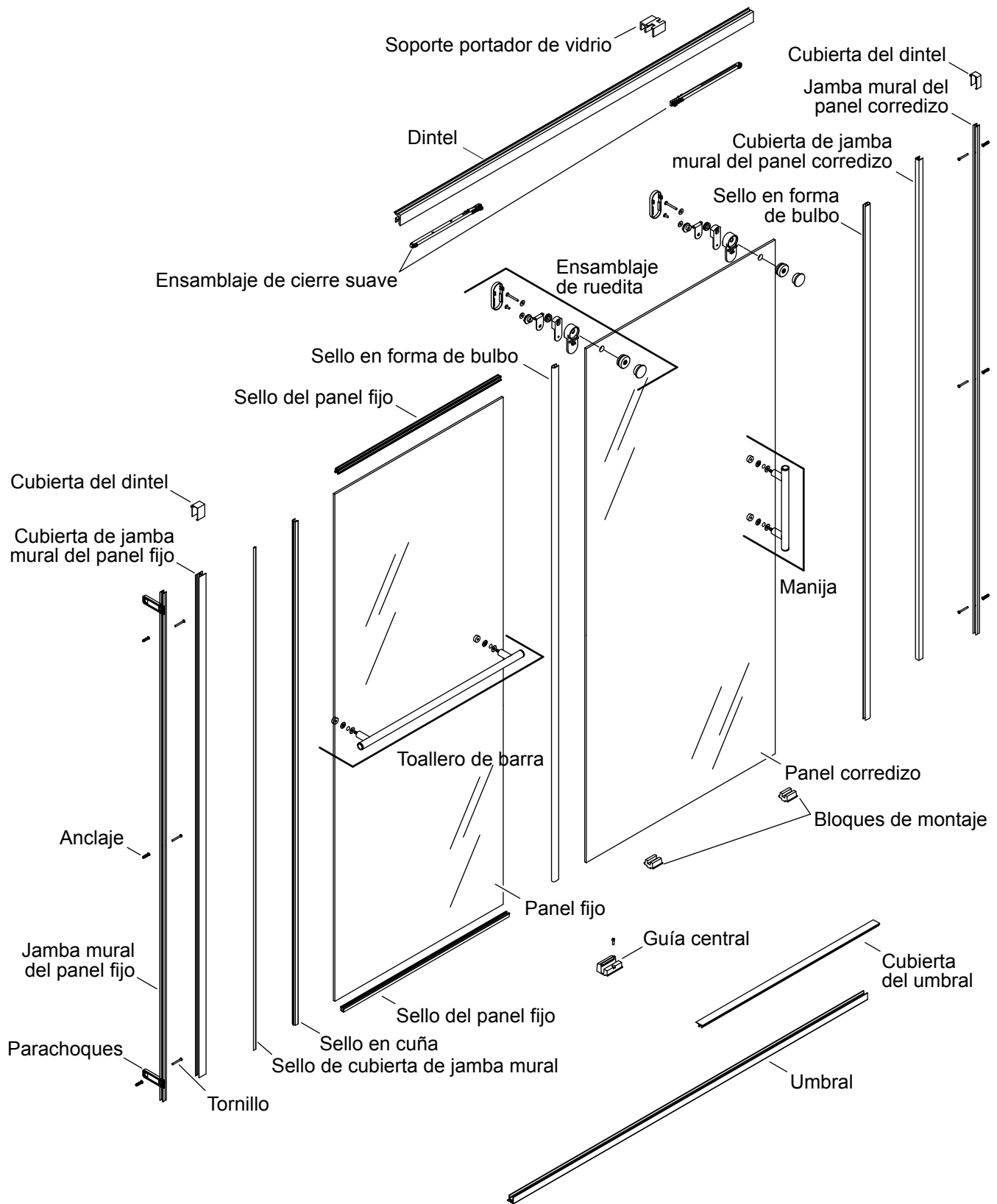
Siga las instrucciones de aplicación y de tiempo de secado del fabricante del sellador de silicona.

Se requieren 2 personas para hacer esta instalación.

El panel fijo debe ser instalado en el lado opuesto de la cabeza de ducha.

E  
S

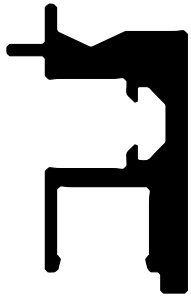
# Identificación de piezas



E  
S

# Lista de piezas

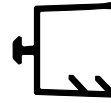
ES



Dintel (cant. 1)



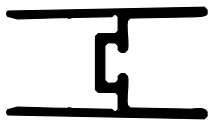
Umbral (cant. 1)



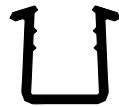
Sello de cubierta de jamba mural (cant. 1)



Jamba mural (cant. 1)



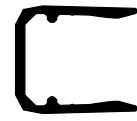
Cubierta de jamba mural del panel fijo (cant. 1)



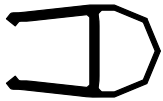
Sello del panel fijo (cant. 2)



Sello en cuña (cant. 1)



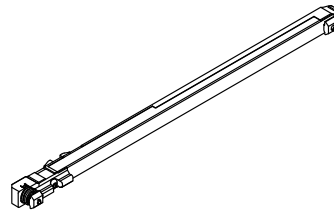
Cubierta de jamba mural del panel corredizo (cant. 1)



Sello en forma de bulbo (cant. 2)



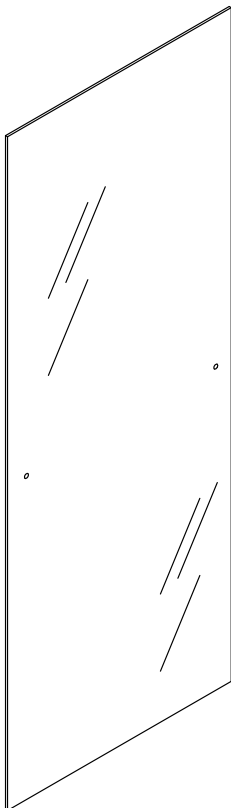
Cubierta del umbral (cant. 1)



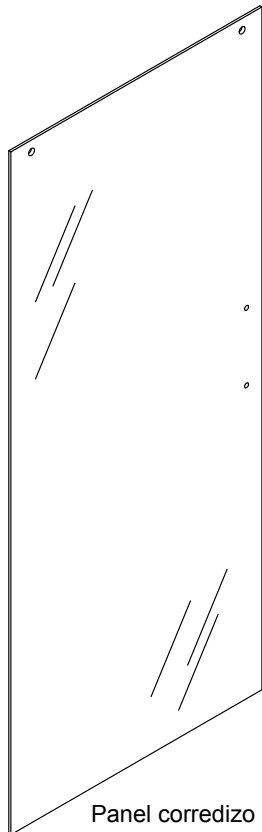
Ensamblaje de cierre suave (cant. 2)



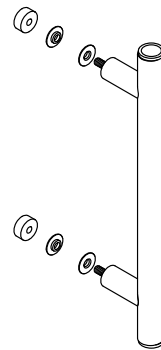
Jamba mural del panel fijo (cant. 1)



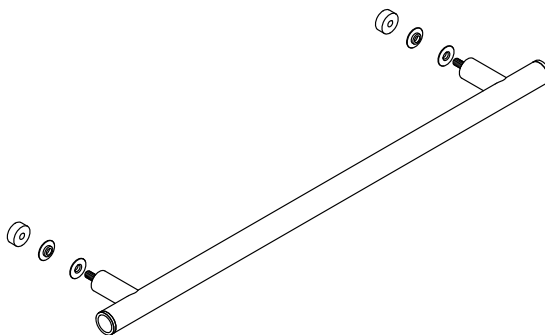
Panel fijo (cant. 1)



Panel corredizo (cant. 1)

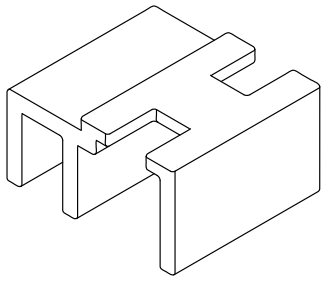


Manija (cant. 1)

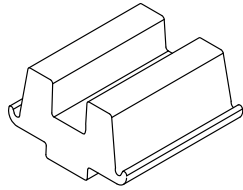


Toallero de barra (cant. 1) (opcional)

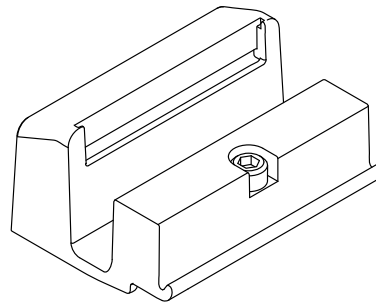
# Lista de piezas (continuación)



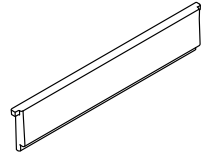
Soporte portador de vidrio (cant. 1)



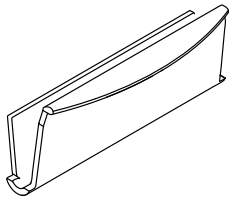
Bloque de montaje (cant. 2)



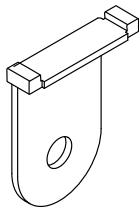
Guía central (cant. 1)



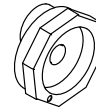
Inserto de la guía central (cant. 1)



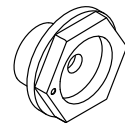
Muelle de la guía central (cant. 1)



Empaque para rueditas (cant. 2)



Tuerca con leva para ruedita (cant. 2)



Tuerca con leva para vidrio (cant. 2)



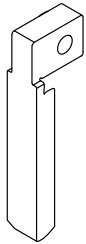
Tuerca preensamblada (cant. 2)



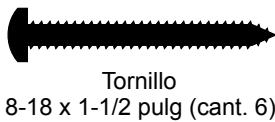
Arandela (cant. 4)



Arandela de fijación (cant. 4)



Ménsula en L (cant. 2)



Tornillo 8-18 x 1-1/2 pulg (cant. 6)



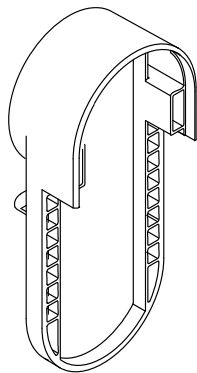
Tornillo M5.8 x 45 mm (cant. 2)



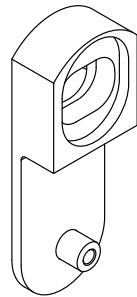
Tornillo M5.8 x 12 mm (cant. 2)



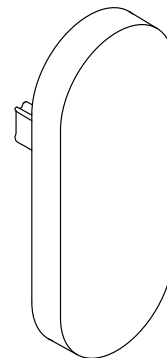
Tornillo 10-24 X 1/2 pulg (cant. 2)



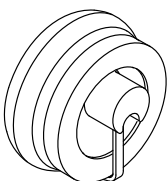
Cubierta frontal de ensamble de ruedita (cant. 2)



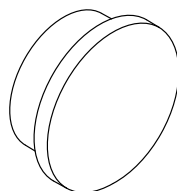
Soporte de ensamble de ruedita (cant. 2)



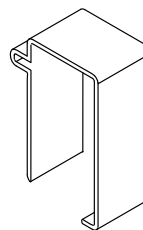
Cubierta posterior de ensamble de ruedita (cant. 2)



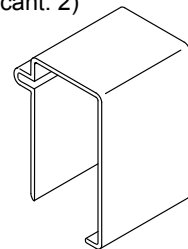
Ensamblaje de ruedita (cant. 2)



Cubierta de ruedita (cant. 2)



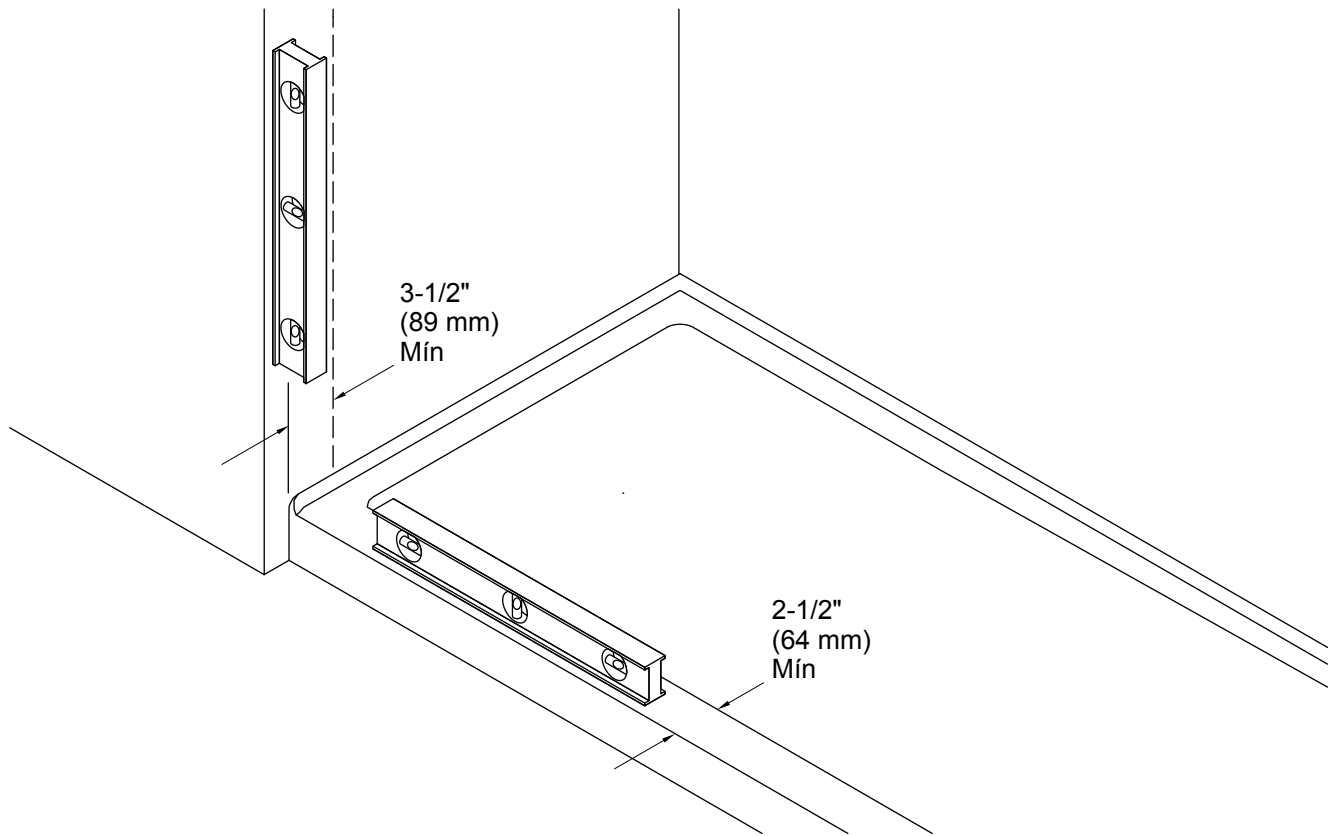
Cubierta angosta para dintel (cant. 1)



Cubierta ancha para dintel (cant. 1)

# 1. Confirme la compatibilidad de la base de la ducha o el reborde de la bañera con las paredes

ES



**¡IMPORTANTE!** Para asegurar la alineación y el funcionamiento correctos, confirme que la base de la ducha o el reborde de bañera y las paredes cumplan los siguientes requisitos. No instale la puerta si no se cumplen estos requisitos.

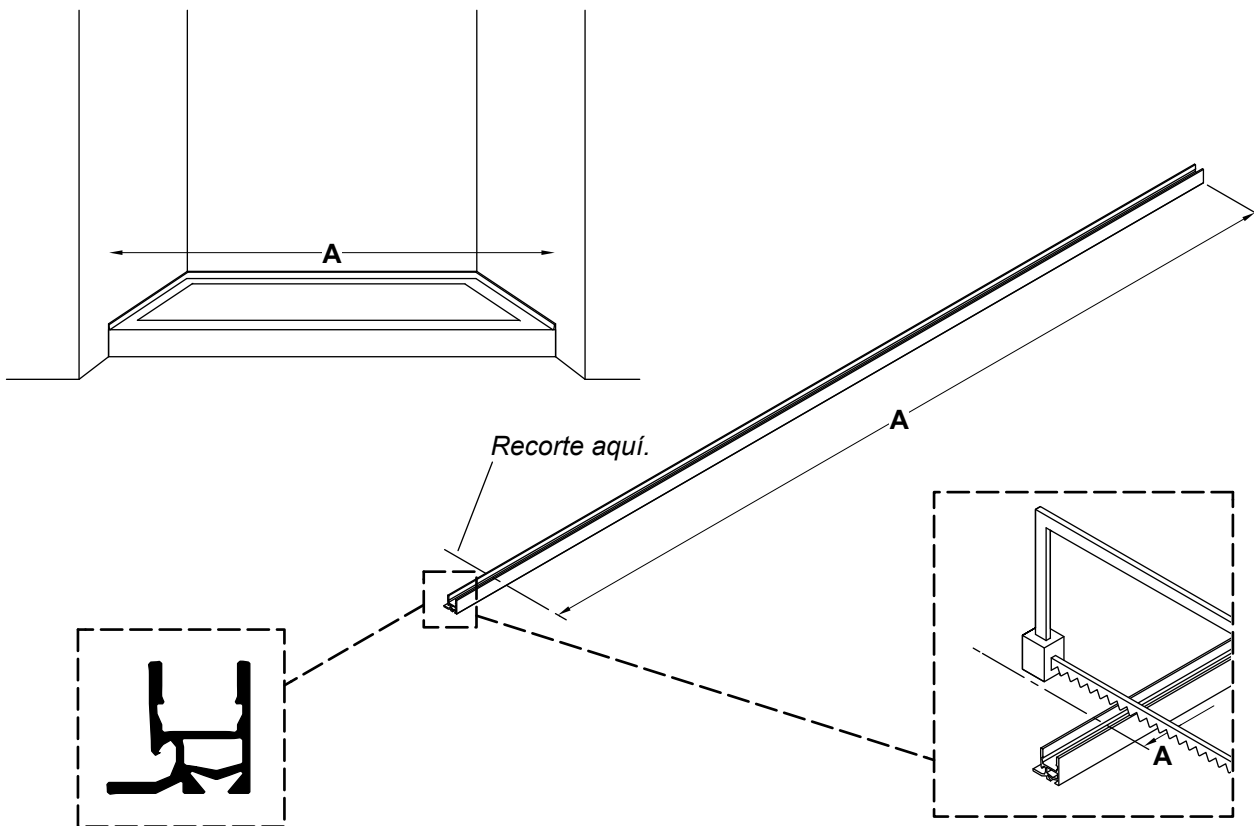
Debe haber por lo menos 3-1/2" (89 mm) de superficie plana en la base de la ducha o en las paredes de la bañera.

Debe haber por lo menos 2-1/2" (64 mm) de superficie plana en la base de la ducha o el reborde de la bañera.

Las paredes deben estar a menos de 3/8" (10 mm) de estar a plomo.

La base de la ducha o el reborde de bañera deben estar nivelados entre las paredes.

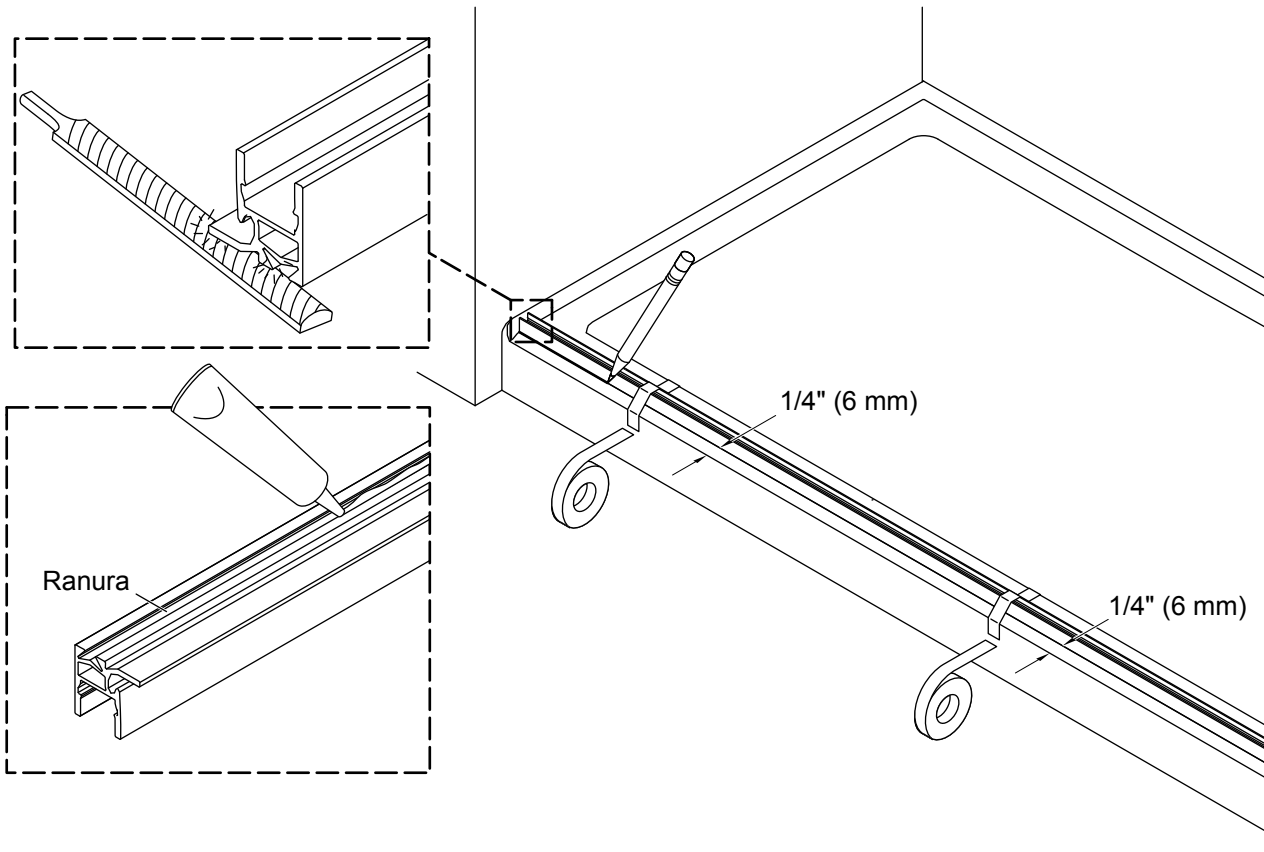
## 2. Mida y recorte el umbral



**⚠ AVISO: Riesgo de lesiones graves.** Siempre use anteojos de seguridad al cortar y al taladrar.

- Proteja la superficie de la ducha con una lona.
- Mida la distancia "A" entre las paredes de la ducha, y maque la distancia en el umbral.
- Recorte el umbral en la línea marcada, y lime todos los bordes ásperos.

### 3. Coloque el umbral en su lugar

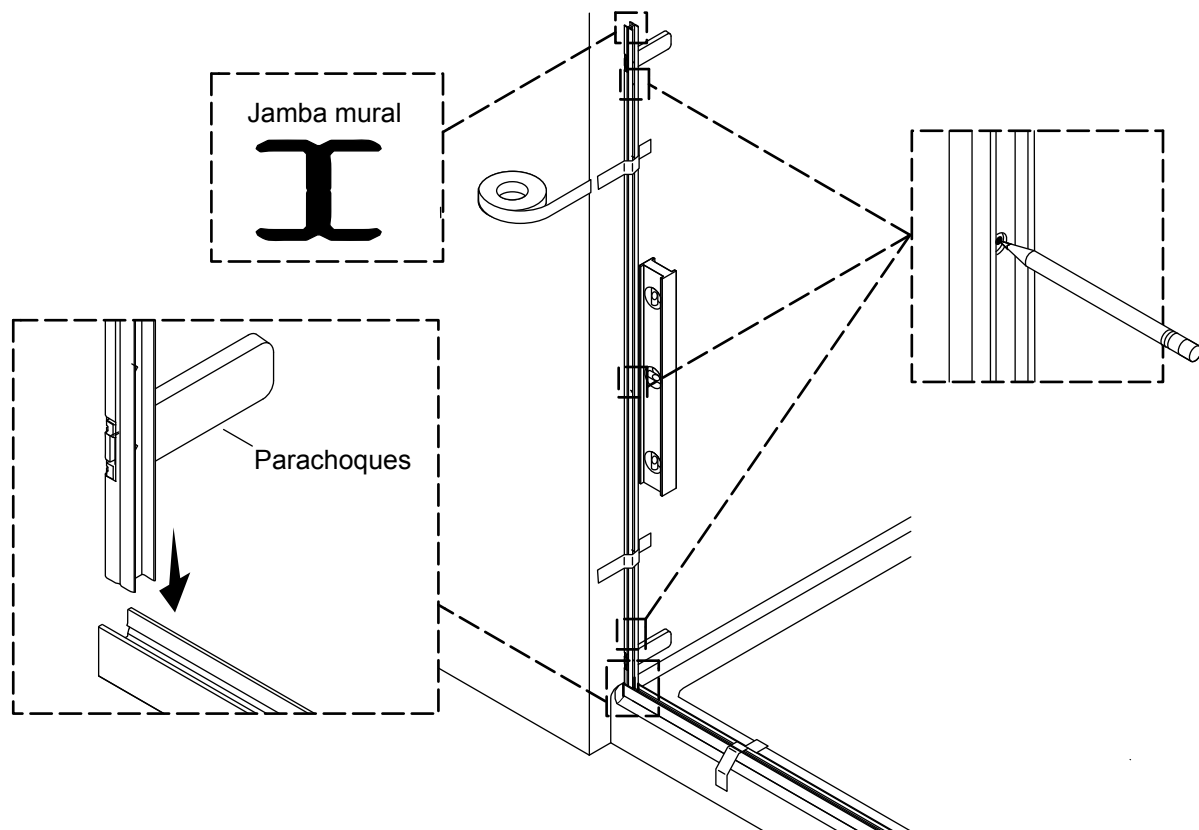


**AVISO:** El umbral debe quedar asentado sobre una superficie plana.

- De ser necesario, lime los extremos del umbral para igualarlos al radio de las esquinas de la pared de la ducha.
- Coloque el umbral a 1/4" (6 mm) del reborde de la base de la ducha o de la bañera a todo su largo, y marque el lugar.
- Aplique sellador 100 % de silicona dentro de la ranura en la parte inferior del umbral.
- Cambie de posición el umbral al lugar marcado previamente, y sujete con la cinta de enmascarar.



## 4. Prepare las jambas murales

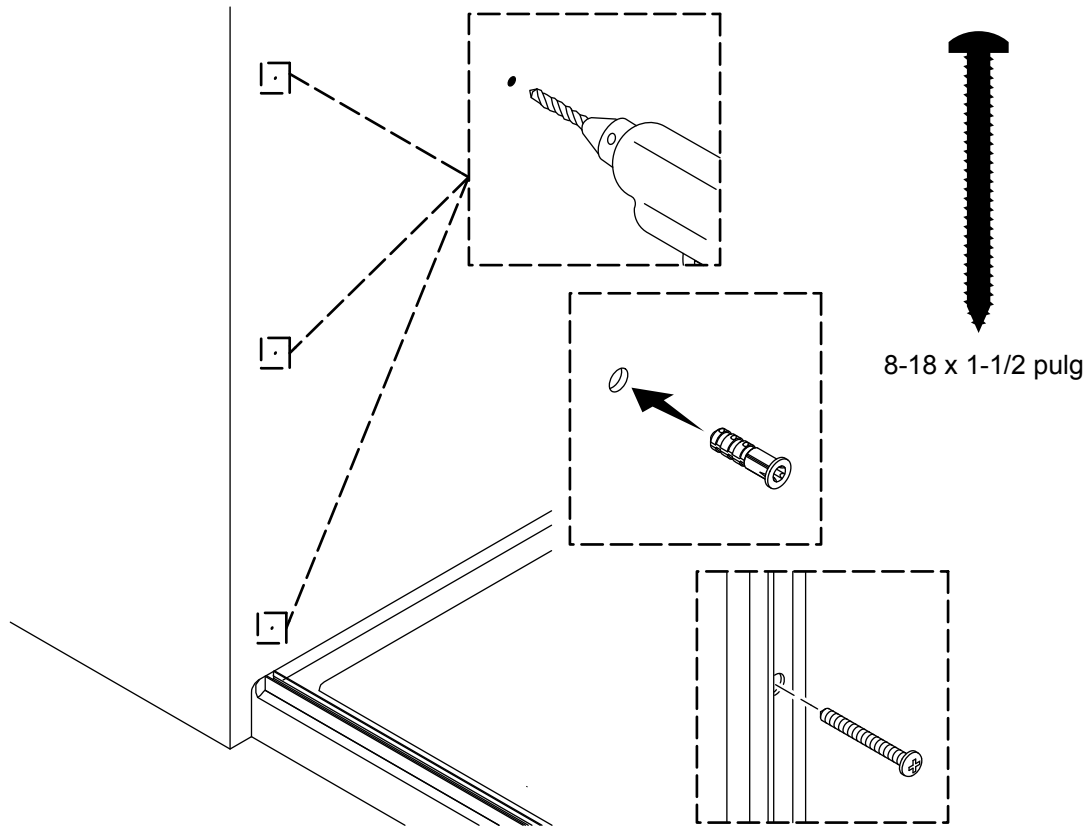


**¡IMPORTANTE!** La jamba mural debe quedar justa contra el umbral y la pared.

**¡IMPORTANTE!** La jamba mural que contiene los parachoques se instala en el lado con el panel fijo.

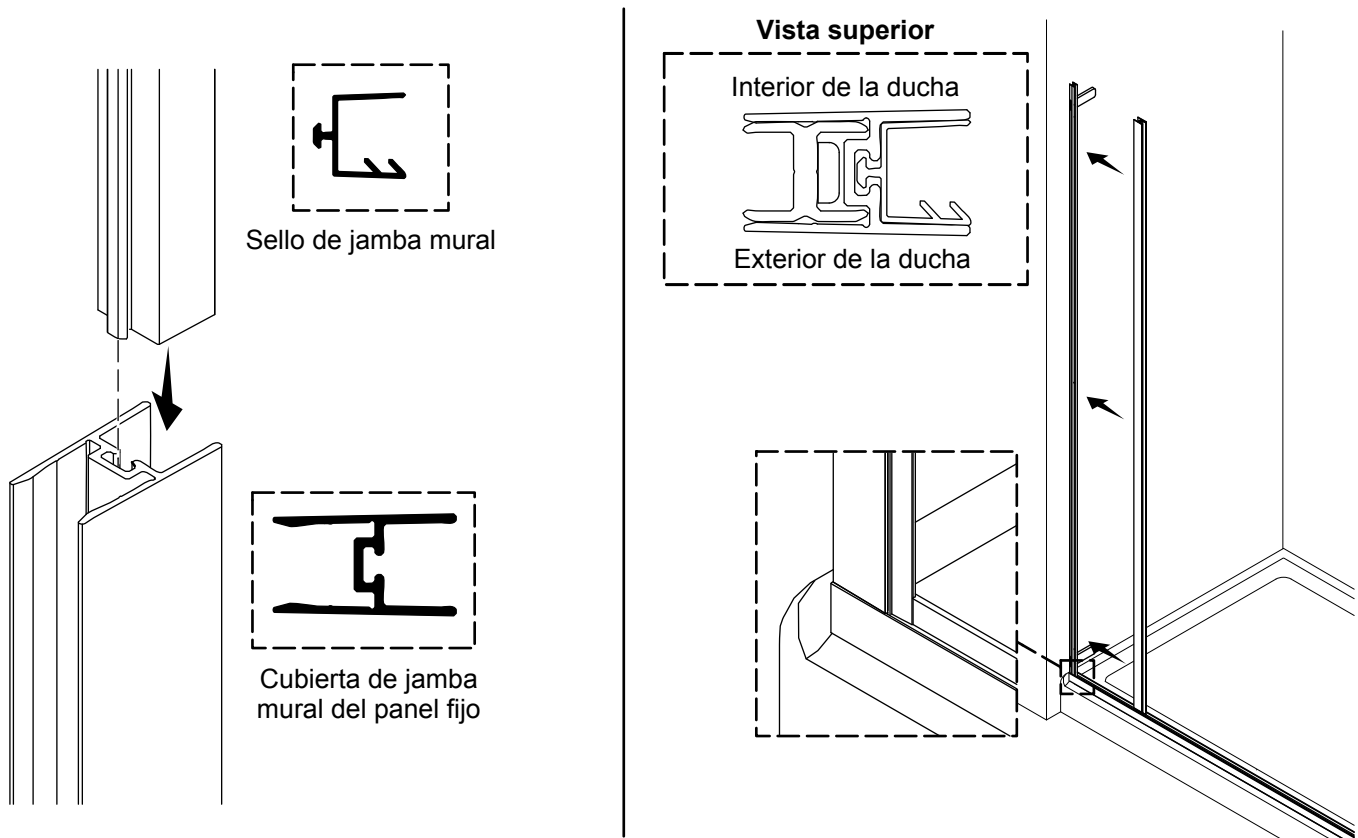
- Coloque la jamba mural en el umbral, contra la pared, con los parachoques apuntando hacia la ducha.
- Coloque a plomo la jamba mural.
- Pegue bien la jamba mural en su lugar con cinta de enmascarar, y marque su lugar en la pared.
- Repita este procedimiento con la segunda jamba mural.
- Verifique que el umbral quede alineado con el lugar previamente marcado.
- Marque con un lápiz los lugares para los orificios de anclaje en cada jamba mural.
- Retire ambas jambas murales, y colóquelas a un lado.

## 5. Instale las jambas murales



- Taladre un orificio de 1/4 pulg en cada lugar marcado. En paredes de azulejo use una broca para mampostería.
- Instale los anclajes de pared que se incluyen. De ser necesario, dé golpes ligeros a los anclajes hasta que queden al ras contra la pared.
- Limpie por completo la base de la ducha y las paredes.
- Vuelva a colocar una de las jambas murales, alineada con los orificios de anclaje. Verifique que la jamba mural esté a plomo.
- Fije la jamba mural con 3 tornillos #8-18 x 1-1/2 pulg.
- Repita este procedimiento con la segunda jamba mural.

## 6. Instale la cubierta de la jamba mural del panel fijo

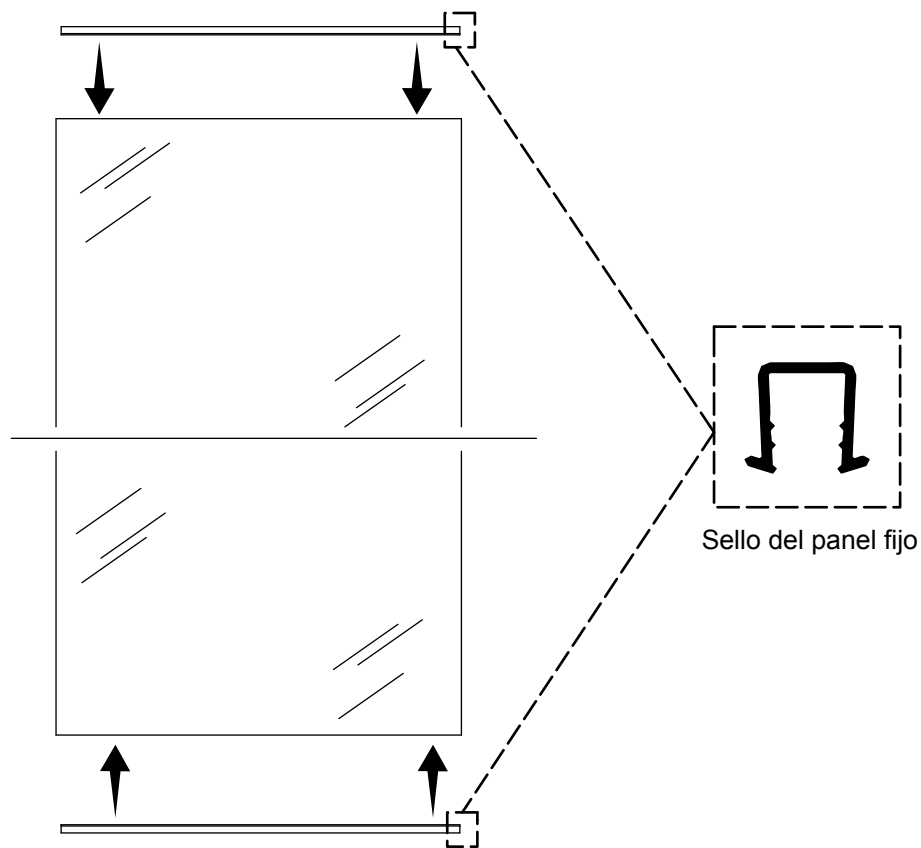


**NOTA:** La parte inferior de la cubierta de la jamba mural del panel fijo debe descansar sobre el reborde del umbral.

**NOTA:** El sello de la jamba mural sobresale hacia abajo en la canaleta en el umbral.

- Deslice el sello de la jamba mural en la cubierta de la jamba mural del panel fijo.
- Presione la cubierta de la jamba mural del panel fijo contra la jamba mural del panel fijo. De ser necesario, con un mazo de goma instale la cubierta de la jamba mural del panel fijo.

## 7. Instale los sellos del panel fijo

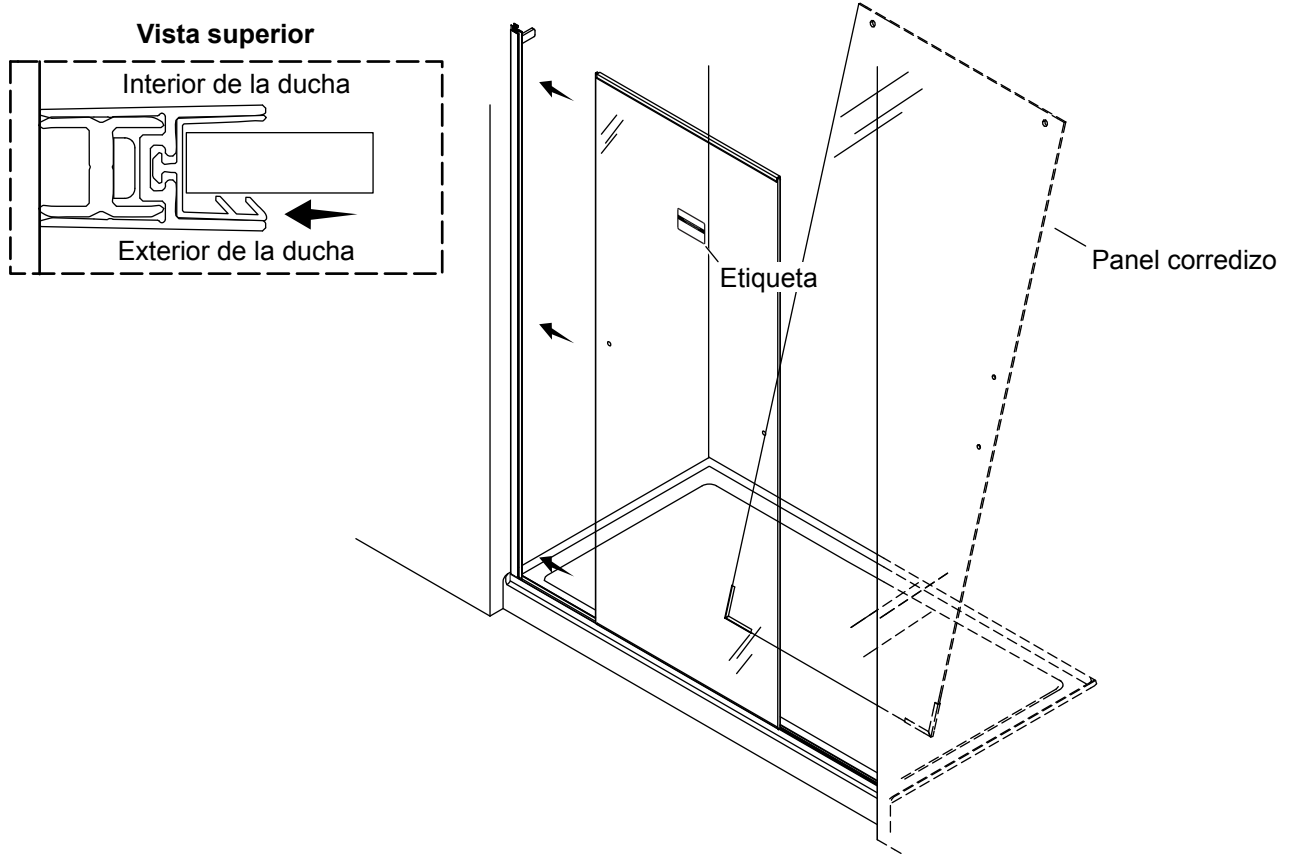


**¡IMPORTANTE!** Los sellos deben quedar alineados con el borde del panel fijo que apunta hacia fuera de la pared.

**NOTA:** Los 2 sellos de panel fijo son iguales.

- Retire los protectores esquineros del panel fijo.
- Oprima los sellos del panel fijo en la parte superior e inferior del panel fijo.

## 8. Instale el panel fijo



**¡IMPORTANTE!** Antes de instalar el dintel, es necesario mover el panel corredizo hacia dentro del área de la ducha.

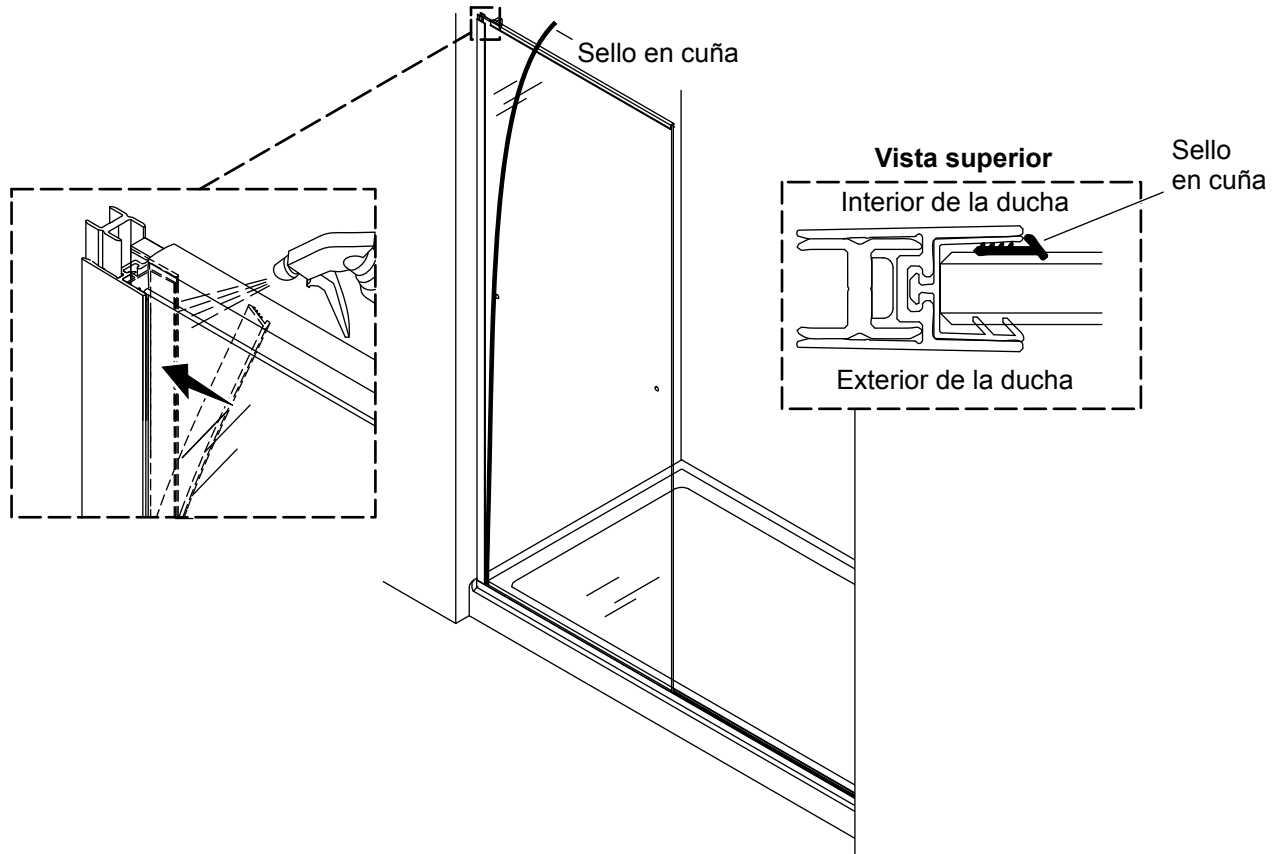
**¡IMPORTANTE!** La etiqueta en el panel fijo debe quedar hacia el exterior de la ducha.

**NOTA:** No retire los protectores esquineros del panel corredizo.

**NOTA:** El panel corredizo permanece en el área de la ducha hasta llegar a la sección "Instale el panel corredizo".

- Con ayuda, mueva el panel corredizo por completo hacia el área de la ducha.
- Retire la cinta de enmascarar del umbral.
- Instale el panel fijo por completo en la cubierta de la jamba mural del panel fijo y en el umbral.
- Verifique que el panel fijo esté completamente asentado en el umbral y oprimido por completo en la cubierta de la jamba mural del panel fijo.

## 9. Instale los sellos en cuña



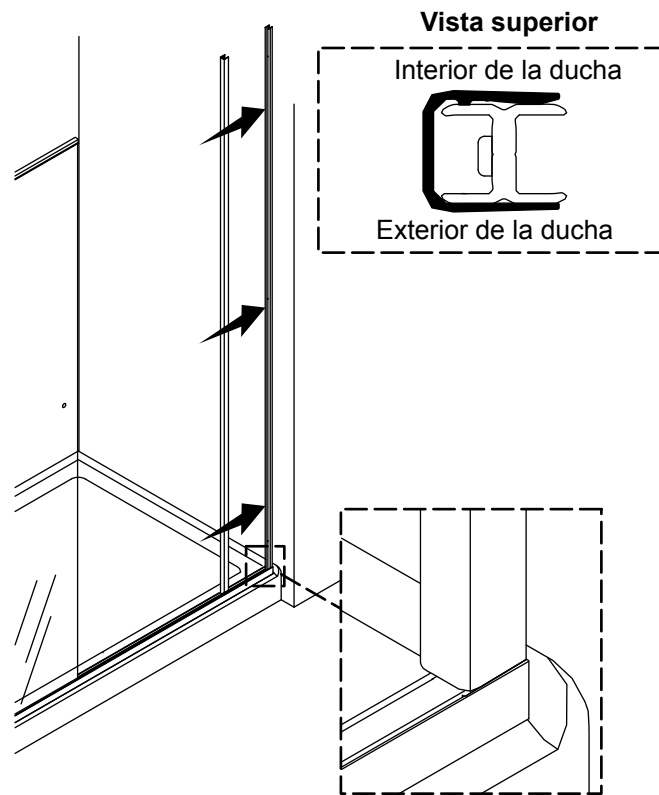
**⚠ PRECAUCIÓN: Riesgo de daños al producto.** No use objetos filosos para empujar los sellos en cuña a su lugar.

**NOTA:** El soporte portador de vidrio se puede usar para empujar el sello en cuña en la cubierta de la jamba mural.

**NOTA:** Se puede usar agua para introducir por completo más fácilmente el sello en cuña en la cubierta de la jamba mural.

- Mida a partir de sello del panel fijo que está en el umbral hasta la parte superior de la cubierta de la jamba mural del panel fijo, y recorte el sello en cuña a esa longitud.
- Comenzando por la parte inferior, empuje el sello en cuña por completo entre la jamba mural del panel fijo y el panel fijo, como se muestra.
- Recorte el exceso de longitud del sello en cuña.

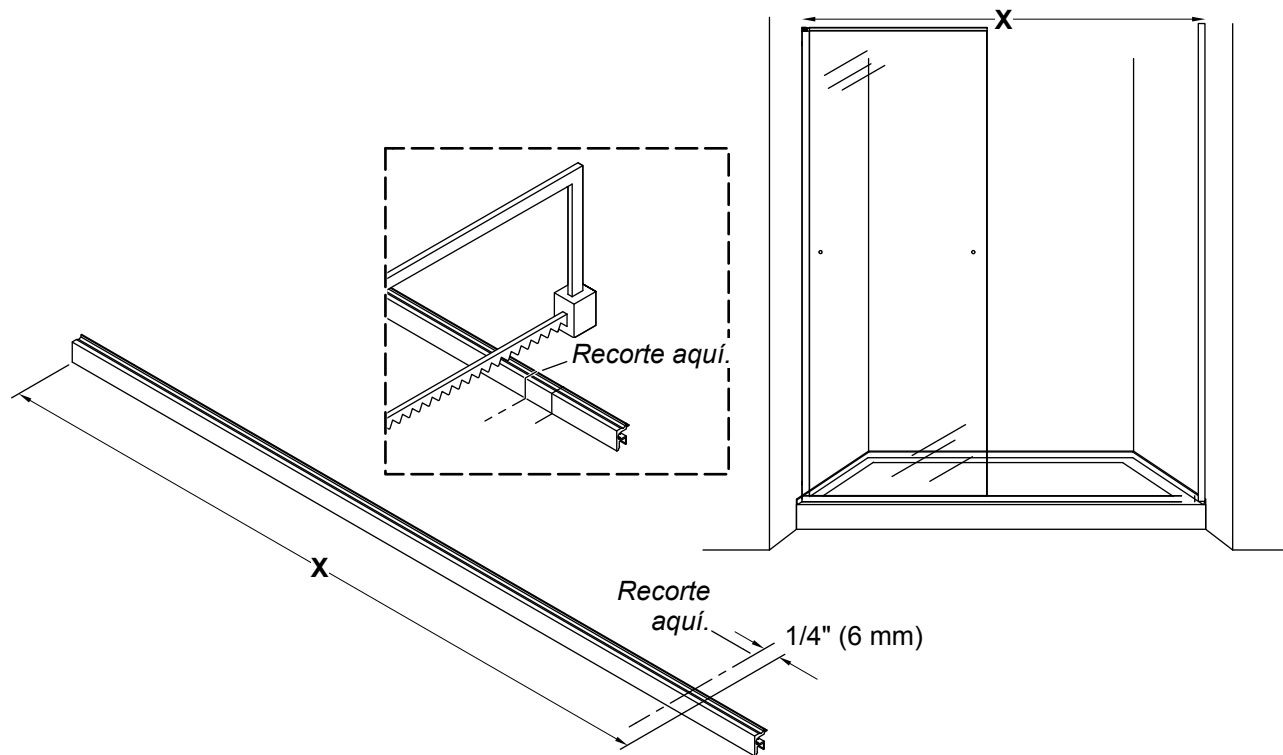
## 10. Instale la cubierta de la jamba mural del panel corredizo



**NOTA:** La parte inferior de la cubierta de la jamba mural del panel corredizo debe descansar sobre el reborde del umbral.

- Oprima la cubierta de la jamba mural del panel corredizo contra la jamba mural del panel corredizo. De ser necesario, con un mazo de goma instale la cubierta de la jamba mural del panel corredizo.

## 11. Mida y recorte el dintel

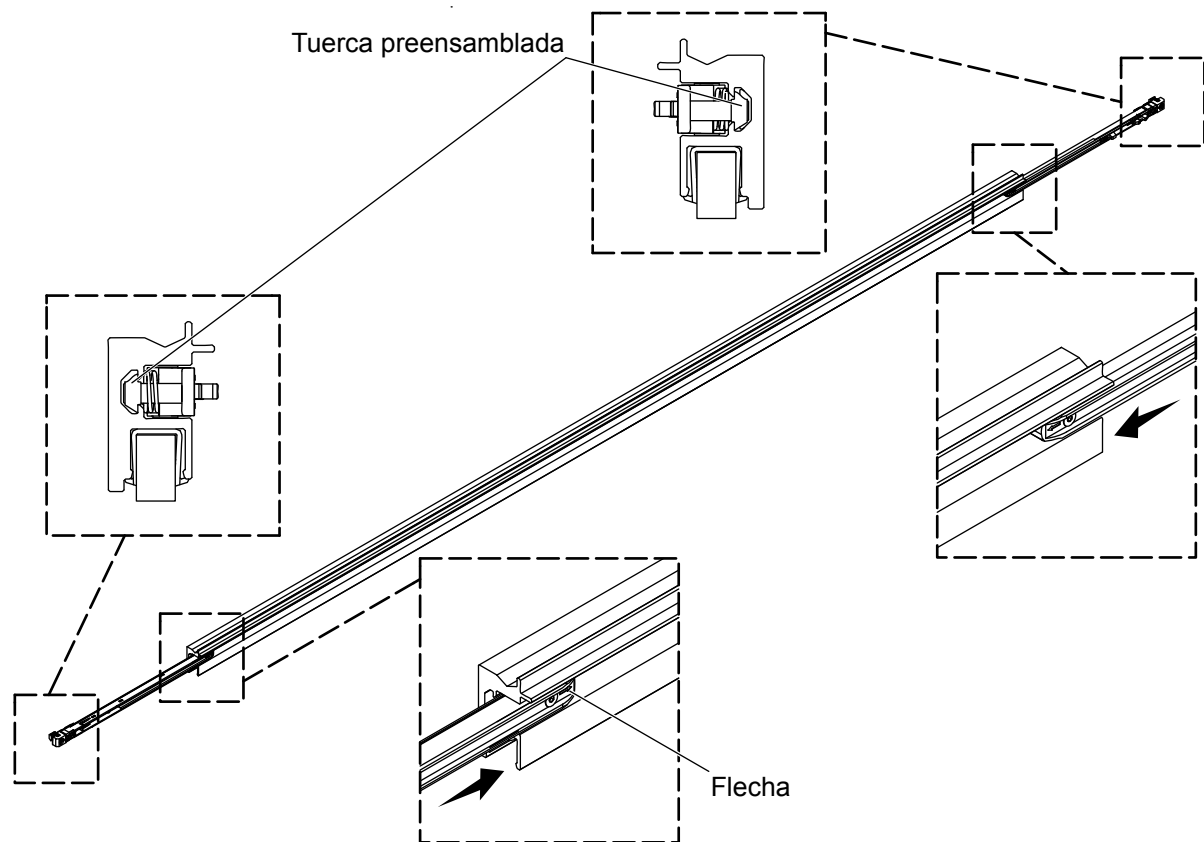


**¡IMPORTANTE!** Confirme sus medidas antes de recortar. No recorte el dintel demasiado corto.

- Mida la distancia "X" entre las paredes de la ducha, y marque esta distancia en el dintel.
- Reste 1/4" (6 mm) a partir de la marca "X", y haga una segunda marca en el dintel como se indica.
- Recorte el dintel en la segunda marca.
- Lime los bordes ásperos, y quite los desperdicios de los carriles para las rueditas.



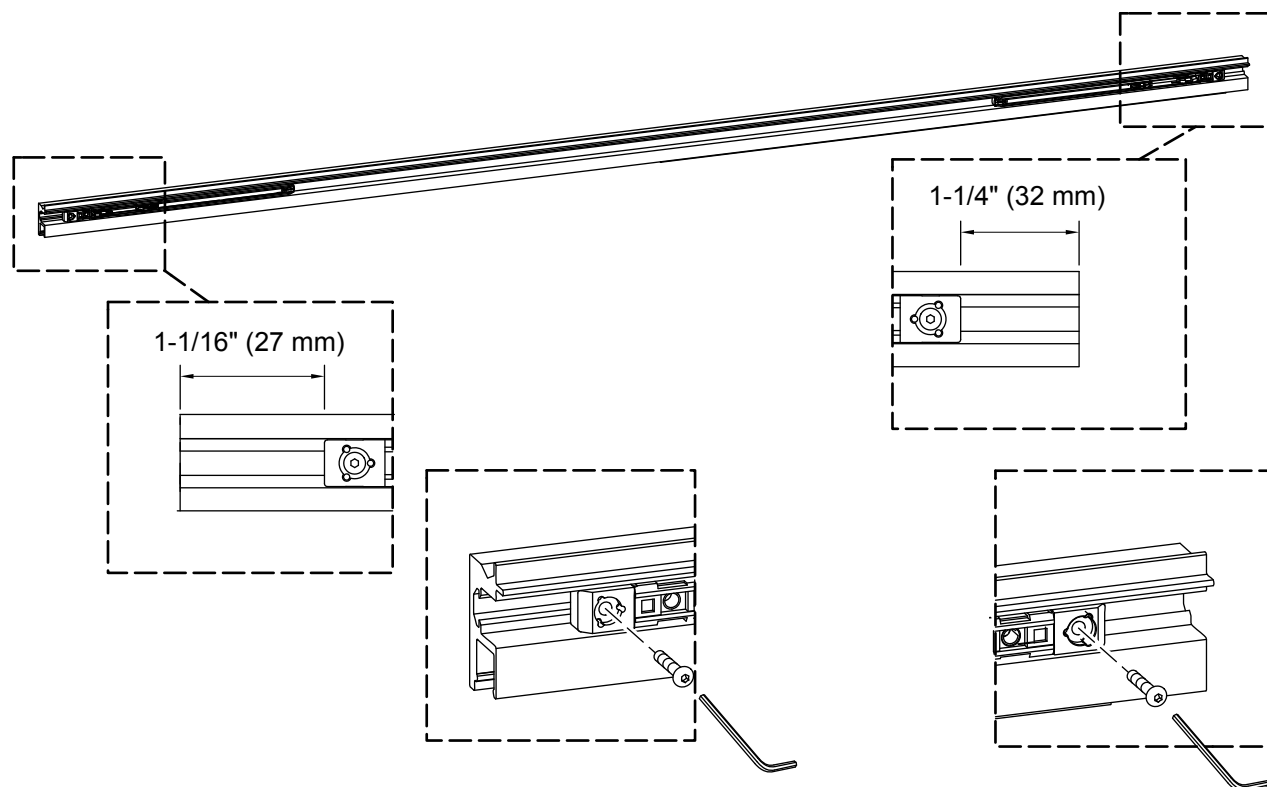
## 12. Ensamble el dintel



- Comience por deslizar un ensamblaje de cierre suave en uno de los lados del dintel. La flecha indica la dirección correcta, como se muestra.
- Verifique que la tuerca preensamblada esté asentada en la canaleta central del dintel.
- Continúe deslizando el ensamblaje de cierre suave hacia dentro del dintel, comprimiendo el resorte (de ser necesario) para guiar el resorte hacia dentro de la canaleta del dintel, como se muestra.
- Repita los pasos de instalación con el otro ensamblaje de cierre suave en el lado opuesto del dintel.

## 13. Ajuste el dintel

ES

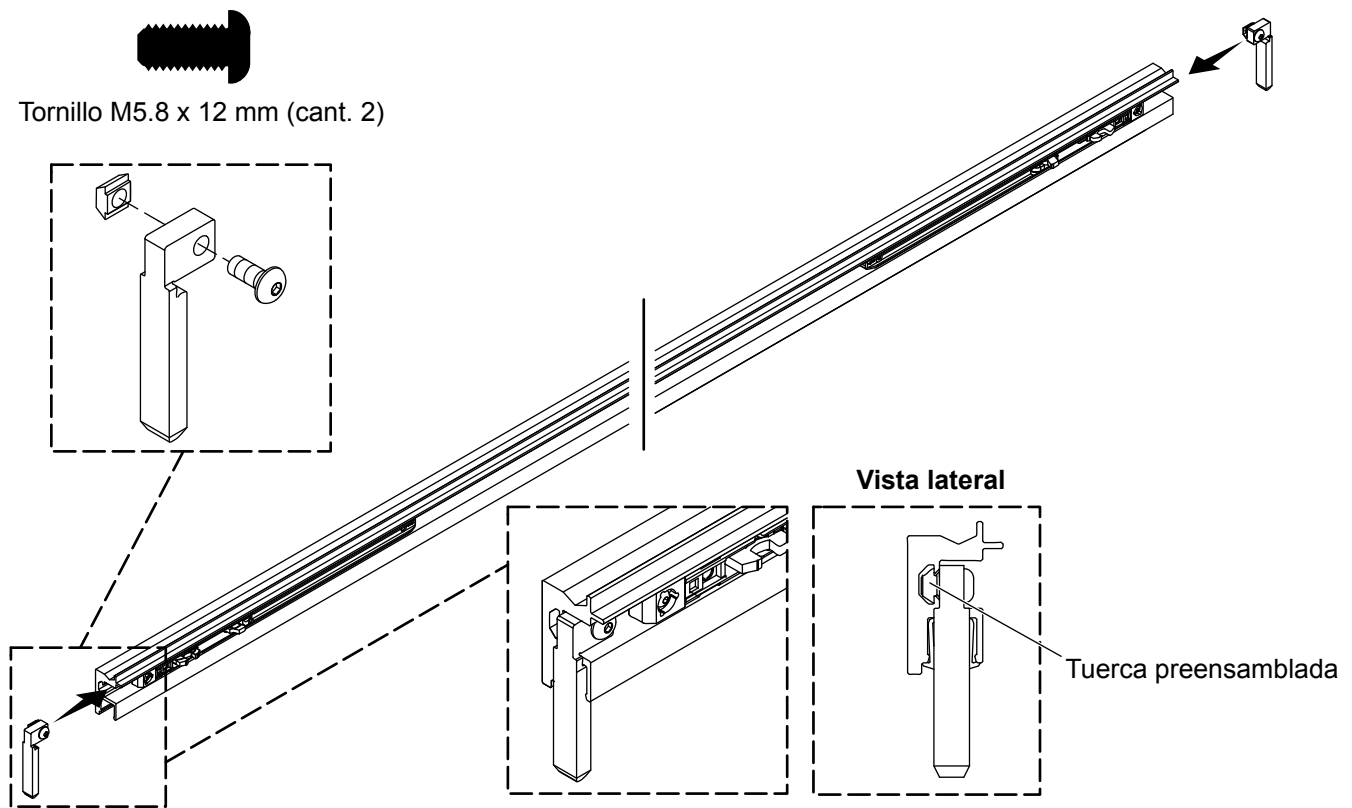


**¡IMPORTANTE!** Si los ensamblajes de cierre suave no quedan bien sujetos y fijos, es posible que el funcionamiento de la puerta se vea afectado.

**NOTA:** Cuando el ensamblaje de cierre suave queda bien instalado, el resorte del ensamblaje de cierre suave empuja un extremo del mecanismo hacia fuera del dintel.

- Deslice el ensamblaje de cierre suave en el lado del panel fijo 1-1/4" (32 mm) a partir del extremo del dintel.
- Con una llave de apriete hexagonal de 2 mm apriete bien los tornillos en cada extremo del ensamblaje.
- Deslice el otro ensamblaje de cierre suave 1-1/16" (27 mm) a partir del extremo del dintel en el lado del panel corredizo.
- Con una llave de apriete hexagonal de 2 mm apriete bien los tornillos en cada extremo del ensamblaje.

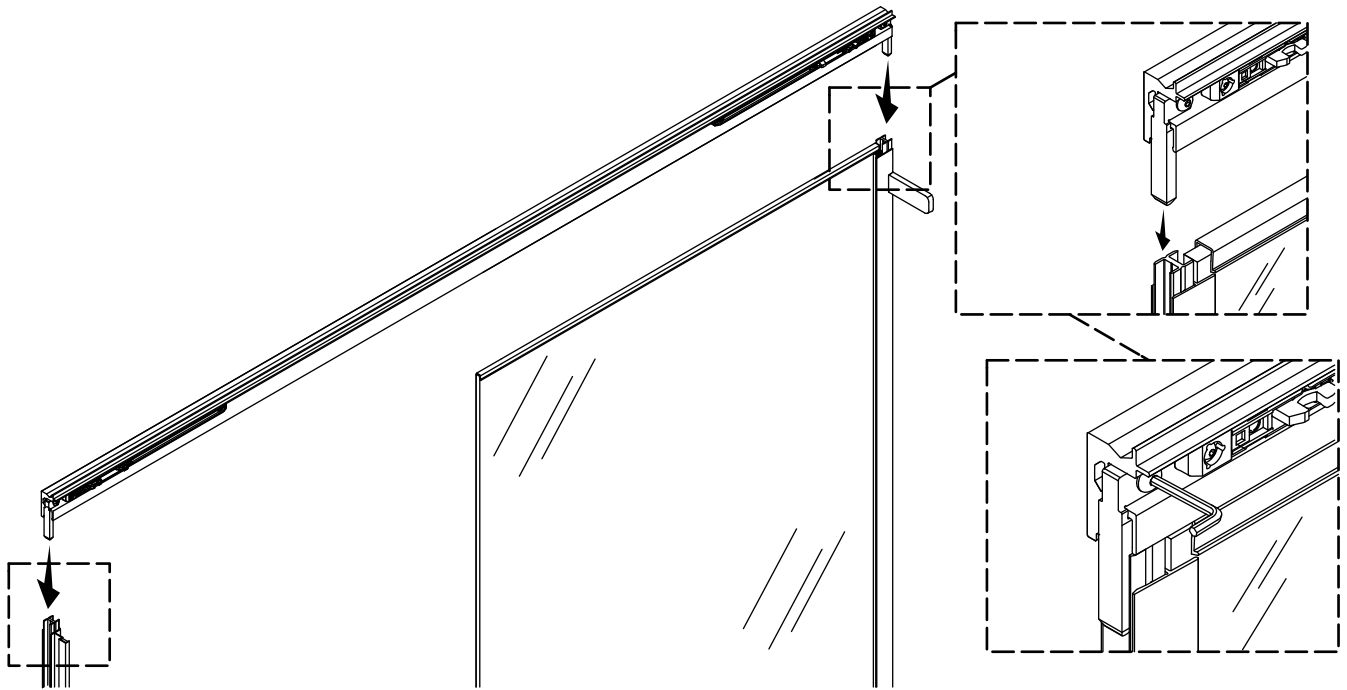
## 14. Instale los soportes del dintel



- Con el tornillo M5.8 x 12 que se incluye, ensamble la tuerca preensamblada al soporte del dintel.
- Introduzca un soporte de dintel en cada uno de los extremos del dintel, de forma que el soporte quede al ras con el extremo del dintel.
- Verifique que la tuerca preensamblada esté en la canaleta en el dintel.
- Fije el soporte, sin apretar, con una llave de apriete hexagonal de 3 mm.

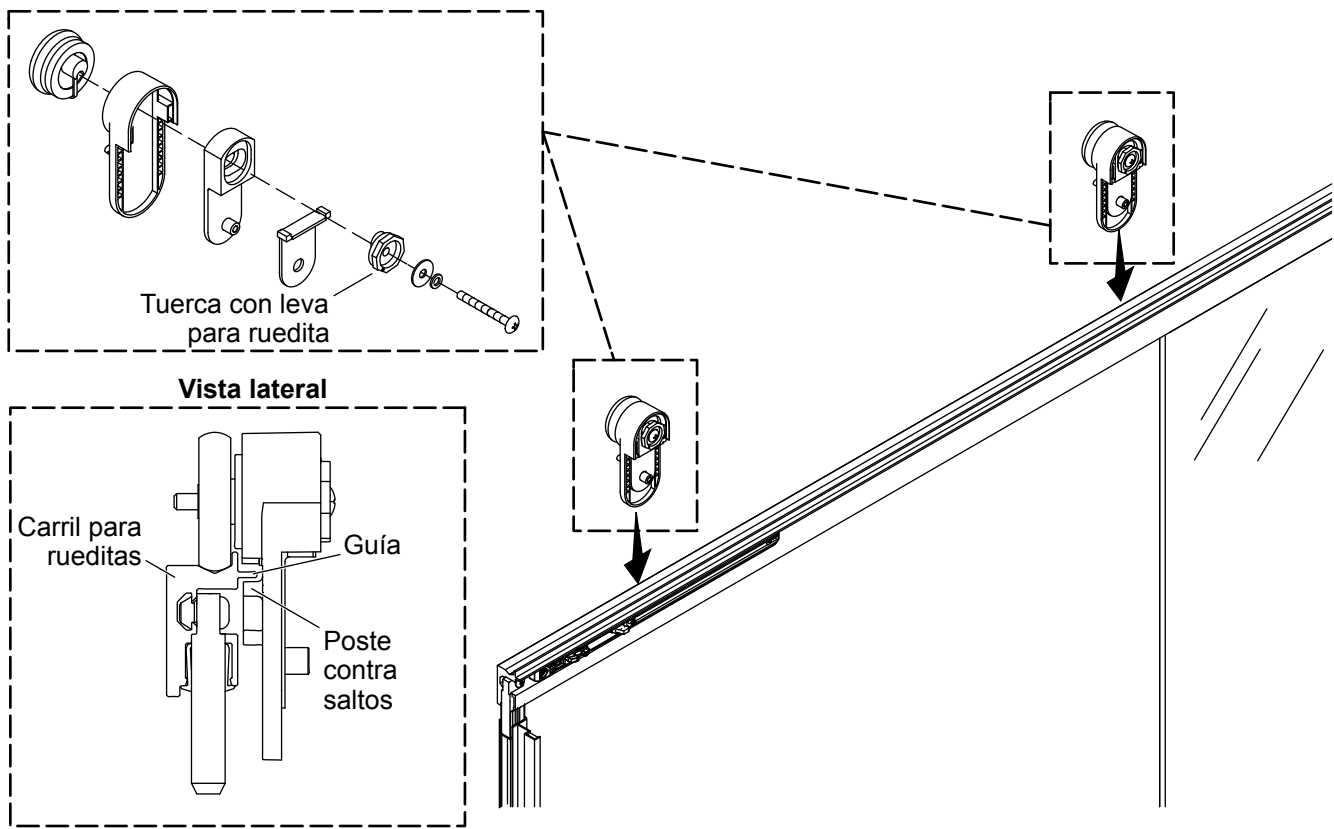
## 15. Instale el dintel

ES



- Coloque el dintel en la parte superior de las jambas murales de forma que los soportes del dintel se deslicen entre la pared y la jamba mural.
- Oprima el dintel hacia abajo hasta que el dintel quede asentado en ambas jambas murales y que el panel fijo quede introducido en la canaleta inferior del dintel. De ser necesario, use un mazo de goma para asentar por completo el dintel contra el panel fijo.
- Apriete por completo los tornillos en el soporte del dintel para fijar el dintel.

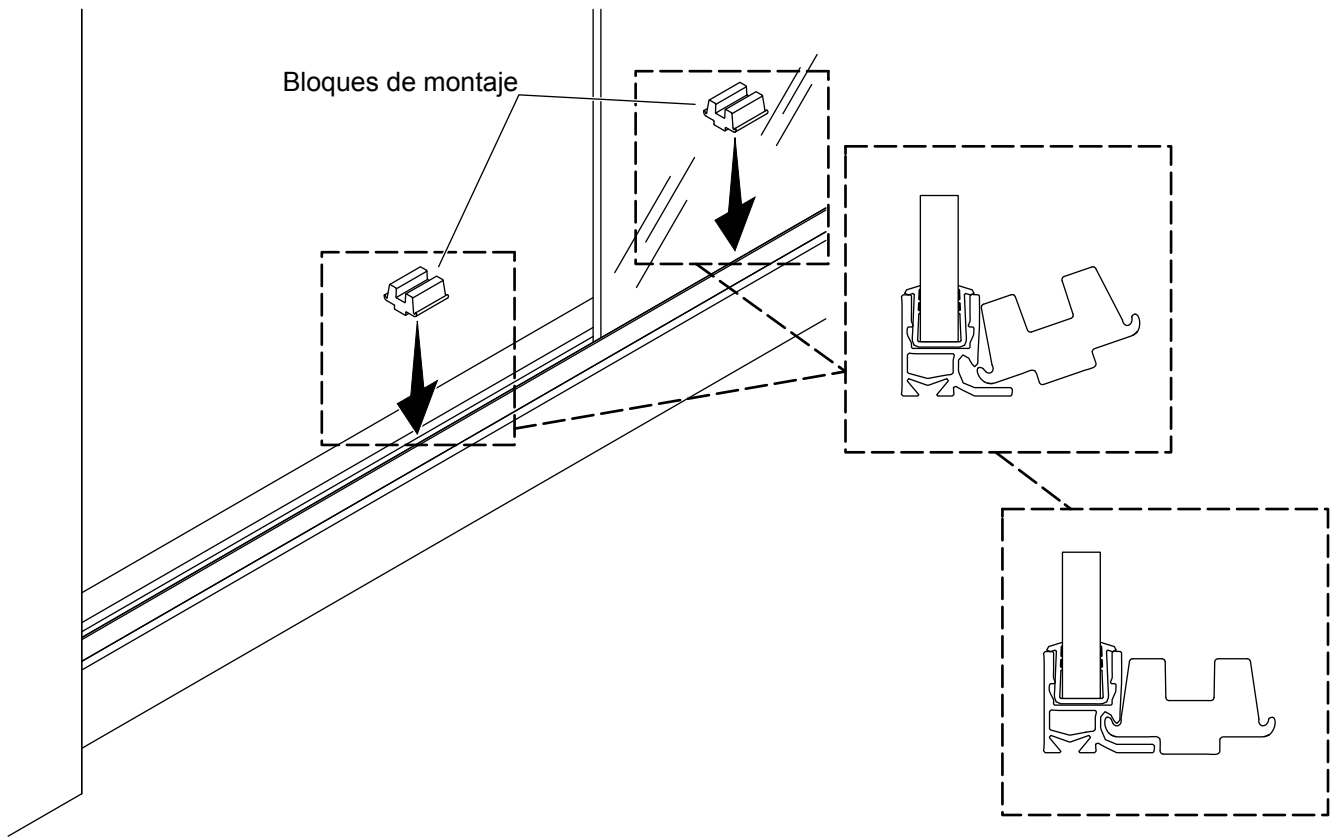
## 16. Instale las rueditas



- Ensamble sin apretar cada ensamblaje de ruedita.
- Coloque cada ensamblaje de ruedita en el dintel de forma que la ruedita esté en el carril de la ruedita y que el poste contra saltos esté bajo la guía en el dintel.
- Deslice los ensamblajes de las rueditas a cada extremo del dintel.

## 17. Coloque los bloques de montaje en su lugar

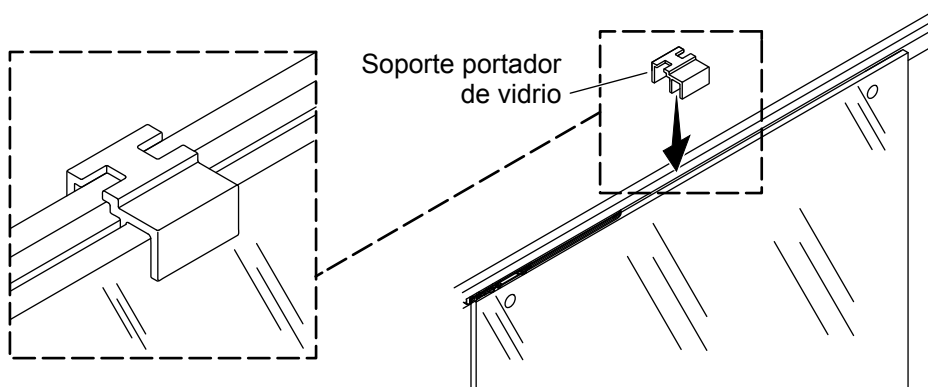
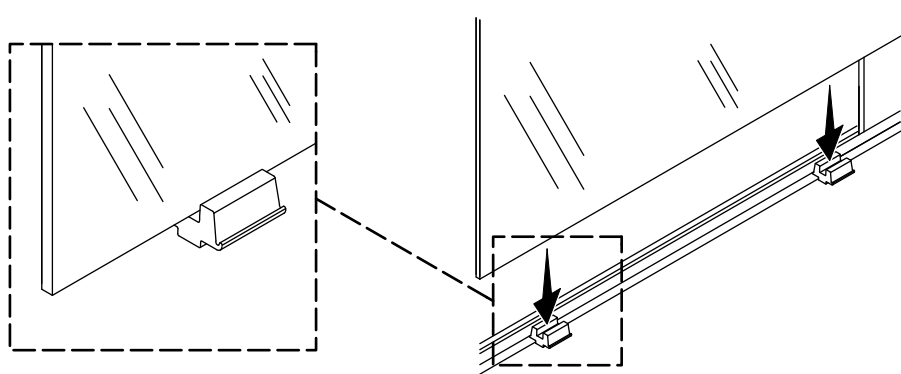
ES



**NOTA:** Instale los bloques de montaje en el umbral, de forma que el panel corredizo quede colocado en el centro de la abertura de la ducha.

- Gire los bloques de montaje a su lugar en la ranura del umbral, como se muestra.

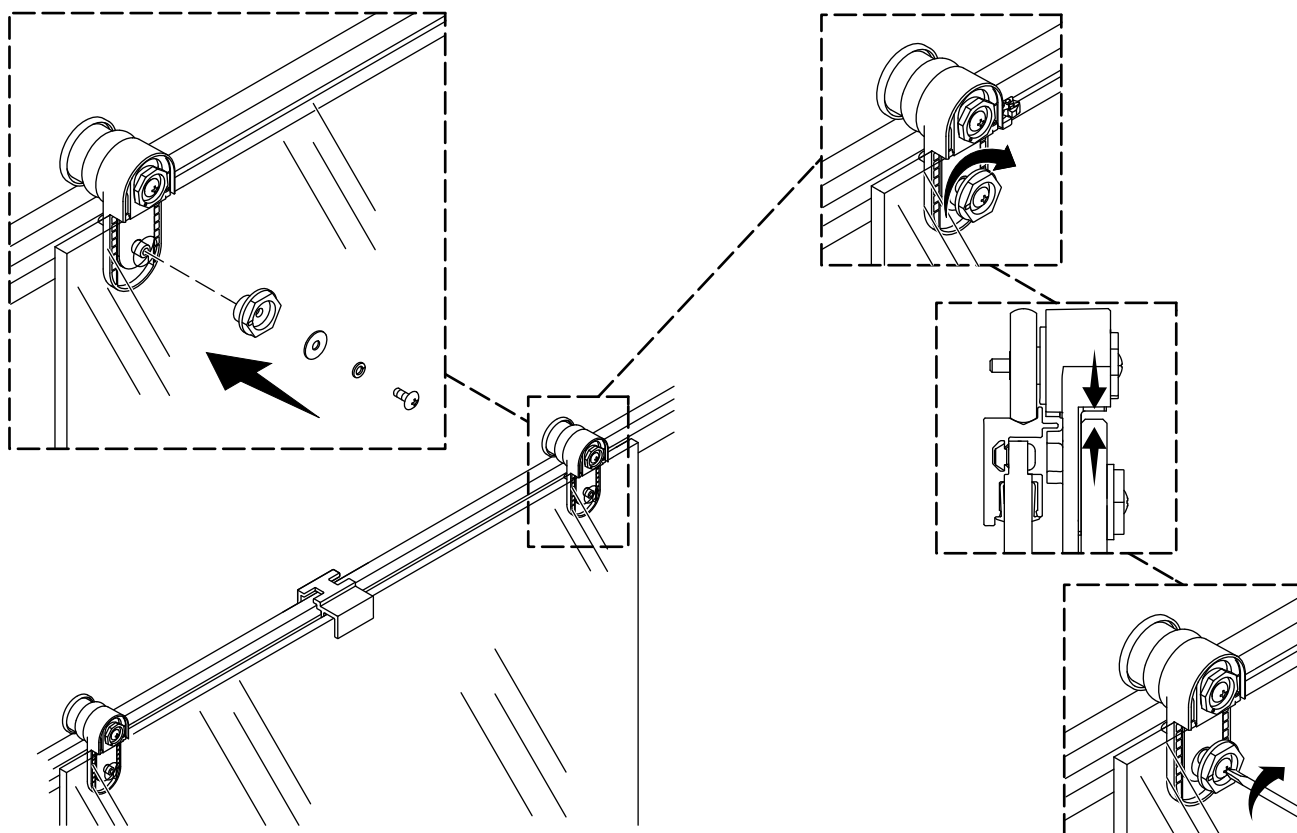
## 18. Coloque el panel corredizo en su lugar



**NOTA:** Antes de colocar el panel corredizo en los bloques de montaje, lleve dentro de la ducha un destornillador Philips, una llave de apriete ajustable y las piezas de las rueditas de la sección "Fije los ensamblajes de rueditas".

- Coloque el panel corredizo en la canaleta de cada uno de los bloques de montaje.
- Coloque el panel verticalmente.
- Coloque el soporte portador del vidrio y el panel corredizo, de forma que el soporte portador del vidrio sostenga el panel corredizo en su lugar.

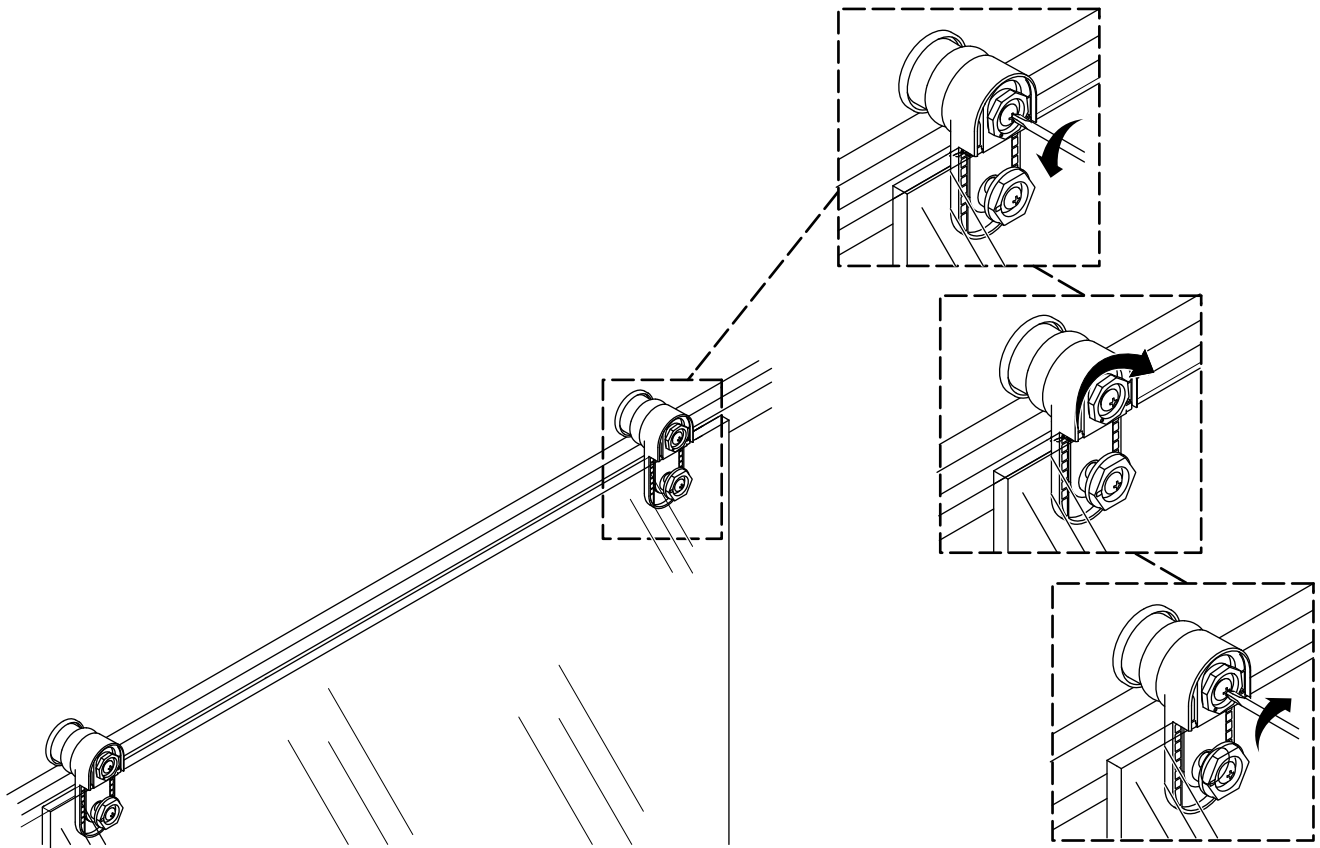
## 19. Fije los ensamblajes de las rueditas



- Retire los protectores esquineros superiores.
- Deslice uno de los ensamblajes de ruedita entre el dintel y el panel de vidrio hasta que el poste quede ubicado dentro del orificio en el vidrio.
- Fije, sin apretar, la tuerca con leva para vidrio al ensamblaje de ruedita.
- Repita el procedimiento con el ensamblaje de la segunda ruedita.
- Retire el soporte del vidrio.
- Con una llave de apriete ajustable, gire cada tuerca con leva para vidrio hasta que el panel corredizo quede justo contra cada empaque para ruedita.
- Sosteniendo la tuerca con leva para vidrio con una llave de apriete ajustable, apriete por completo el tornillo en cada tuerca con leva para vidrio para fijar los ensamblajes de rueditas al panel corredizo.



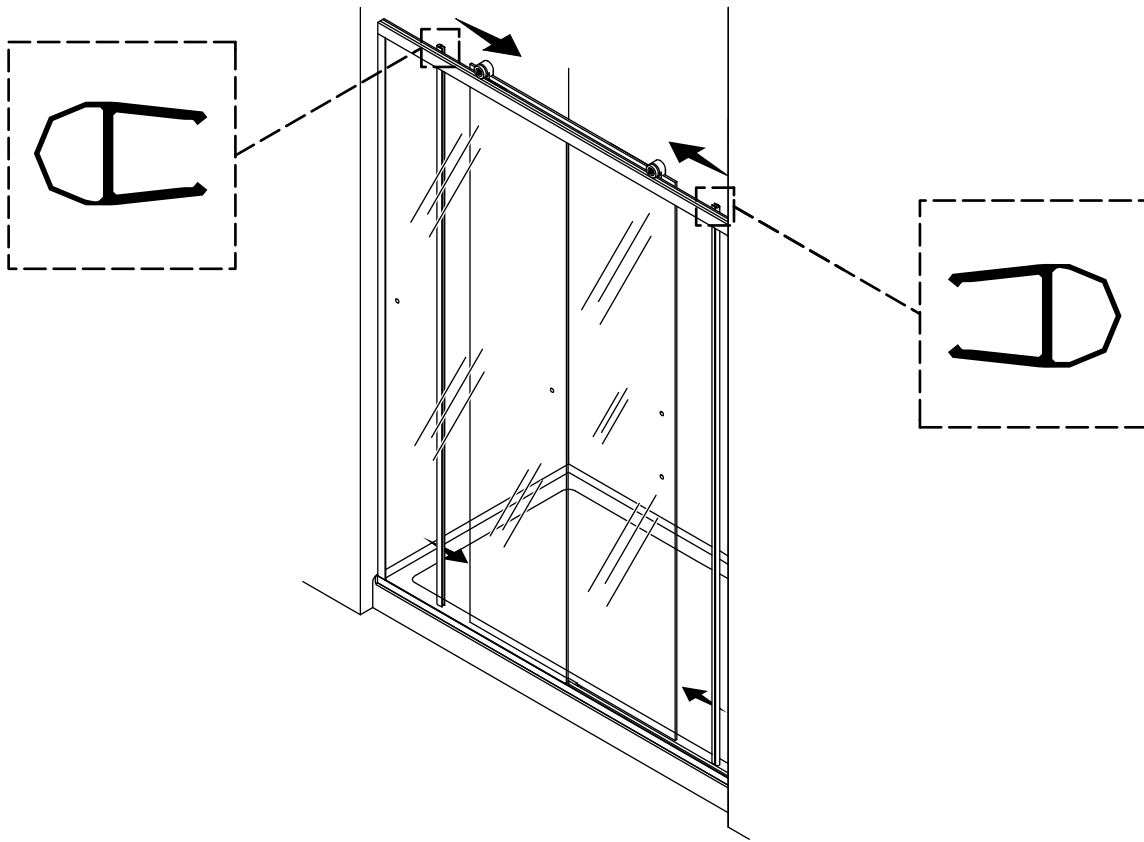
## 20. Levante el panel corredizo



**NOTA:** Levante un lado del panel corredizo para facilitar el giro de la tuerca con leva para ruedita, de ser necesario.

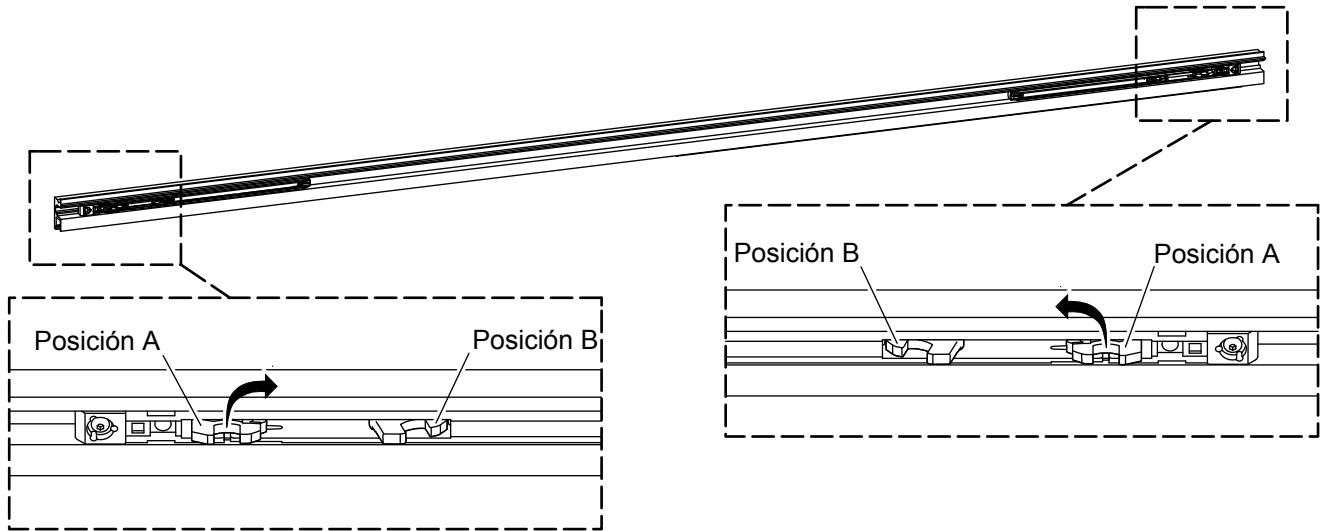
- Afloje el tornillo de la tuerca con leva para ruedita.
- Con una llave de apriete ajustable, gire la tuerca con leva para ruedita para levantar el panel hacia arriba y separarlo de los bloques de montaje.
- Sosteniendo la tuerca con leva para ruedita con una llave de apriete ajustable, apriete por completo el tornillo de la tuerca con leva para ruedita para fijarla.
- Repita con la segunda tuerca con leva para ruedita.
- Retire los protectores esquineros inferiores.
- Retire los bloques de montaje.
- Verifique que todos los tornillos estén apretados y que los ensamblajes de las rueditas estén fijos.

## 21. Instale los sellos del panel corredizo



- Instale los sellos en forma de bulbo a cada lado del panel corredizo.

## 22. Ajuste el ensamblaje de cierre suave



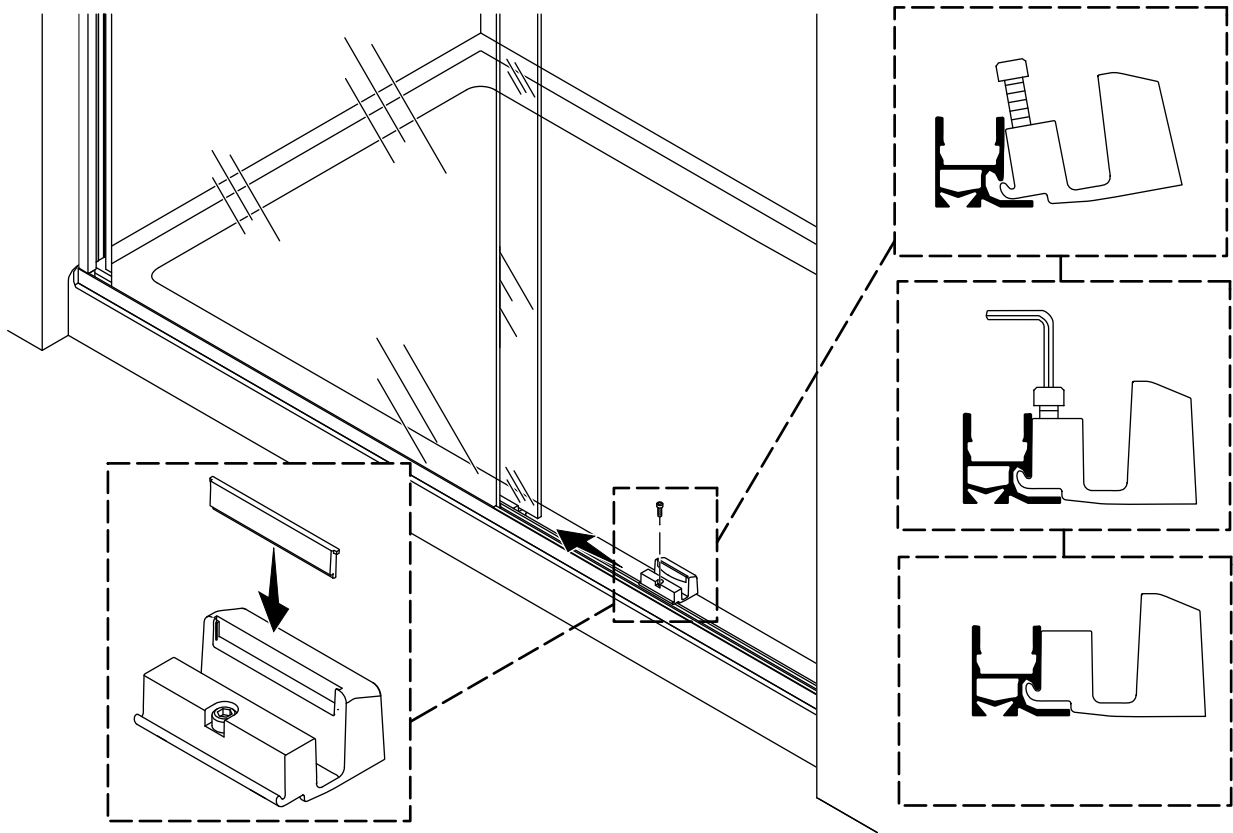
**NOTA:** Cuando la puerta esté cerrada, el sello en forma de bulbo debe quedar asentado por completo contra la pared. Si es necesario, haga ajustes al plomo de acuerdo con la sección "Ajuste el panel corredizo". Si es necesario hacer ajustes adicionales, afloje los tornillos en el ensamblaje de cierre suave y ajuste su posición dentro del dintel de acuerdo con la sección "Ajuste el dintel".

- En el lado del panel corredizo del dintel, con la herramienta del soporte portador del vidrio deslice el pestillo del ensamblaje de cierre suave hacia el centro del dintel hasta que enganche en su lugar en la posición B.

**NOTA:** Si el ensamblaje de cierre suave del lado del panel fijo del dintel evita abrir la puerta adecuadamente, se puede omitir la instalación de este ensamblaje de cierre suave.

- En el lado del panel fijo del dintel, con la herramienta del soporte portador del vidrio deslice el pestillo del ensamblaje de cierre suave hacia el centro del dintel hasta que enganche en su lugar en la posición B.

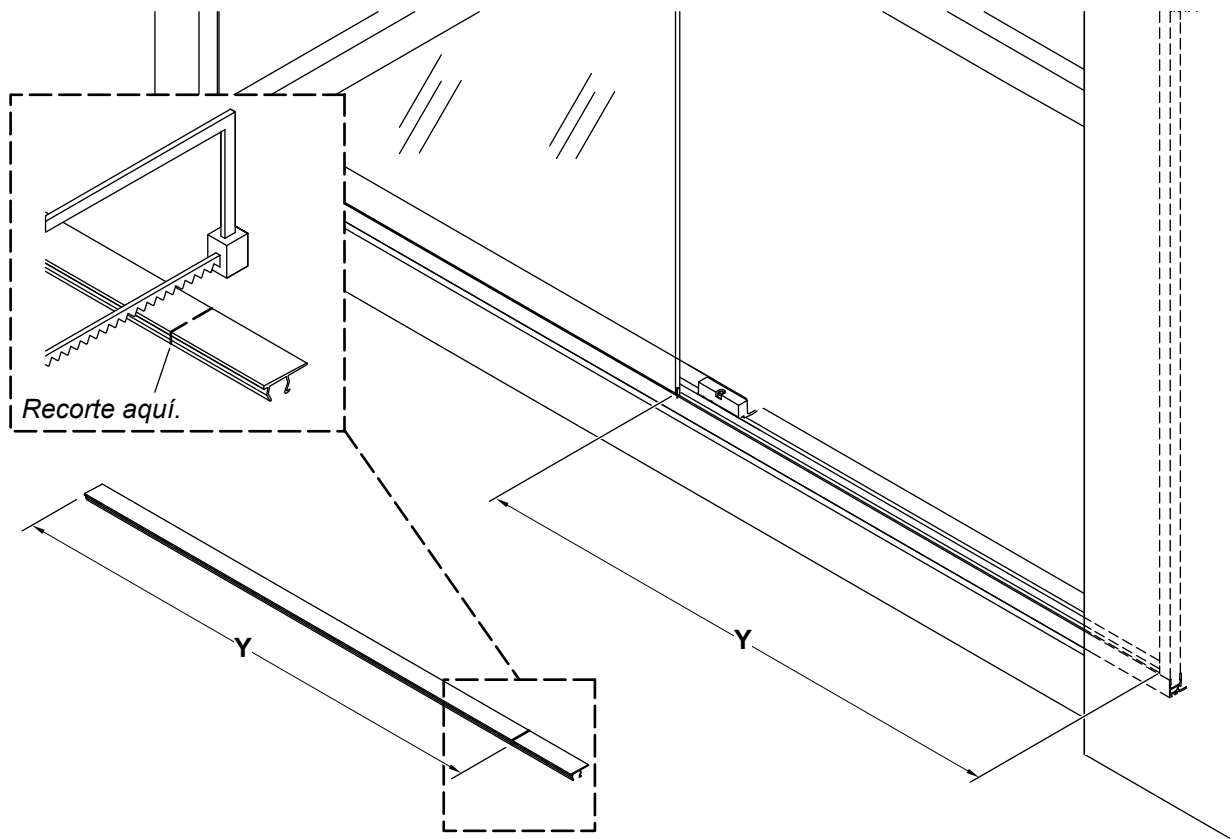
## 23. Instale la guía central



**¡IMPORTANTE!** La guía central debe quedar asentada por completo detrás del labio del umbral, como se muestra.

- Deslice el panel de la puerta hacia el extremo del panel fijo de la ducha.
- Atornille el tornillo parcialmente en el orificio de la guía central. El tornillo no debe sobresalir por el lado inferior de la guía central.
- Deslice el inserto de la guía central en la ranura en la guía central.
- Gire la guía central a su lugar en la ranura del umbral, como se muestra.
- Mueva la guía central a lo largo del umbral hasta que el borde de la guía quede alineado con el borde del panel fijo.
- Deslice el panel de la puerta hacia dentro de la canaleta de la guía central.
- Apriete a mano el tornillo con una llave de apriete hexagonal de 5/32 pulg., y luego apriete media vuelta adicional.

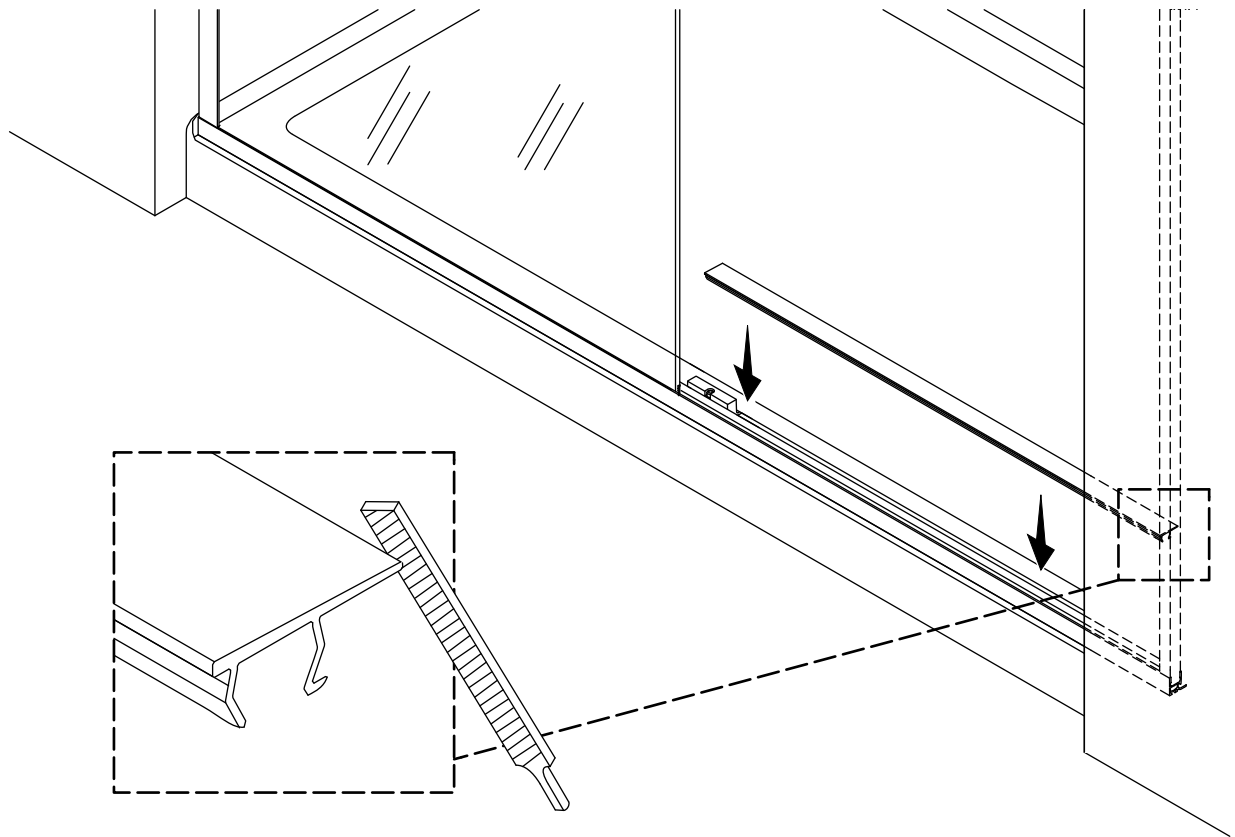
## 24. Mida y recorte la cubierta del umbral



- Mida "Y" entre el borde del panel fijo y la cubierta de la jamba mural.
- Marque "Y" en la cubierta del umbral.
- Recorte la cubierta del umbral en la línea marcada, y lime los bordes ásperos.

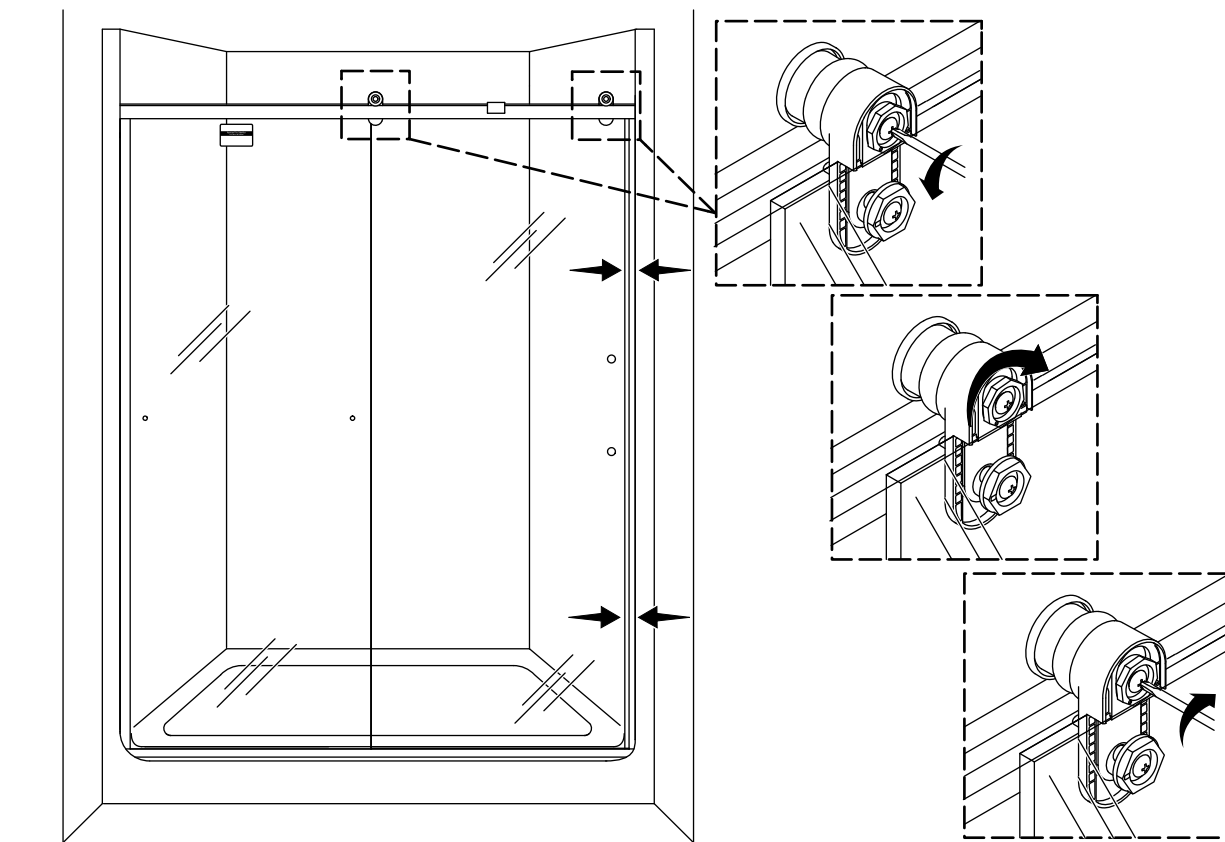
## 25. Instale la cubierta del umbral

ES



- Con una lima, redondee la esquina de la cubierta del umbral que apunta hacia la jamba mural y al interior de la ducha.
- Meta a presión la cubierta del umbral en el umbral, como se muestra.
- Verifique que la cubierta del umbral esté bien asentada en el umbral.

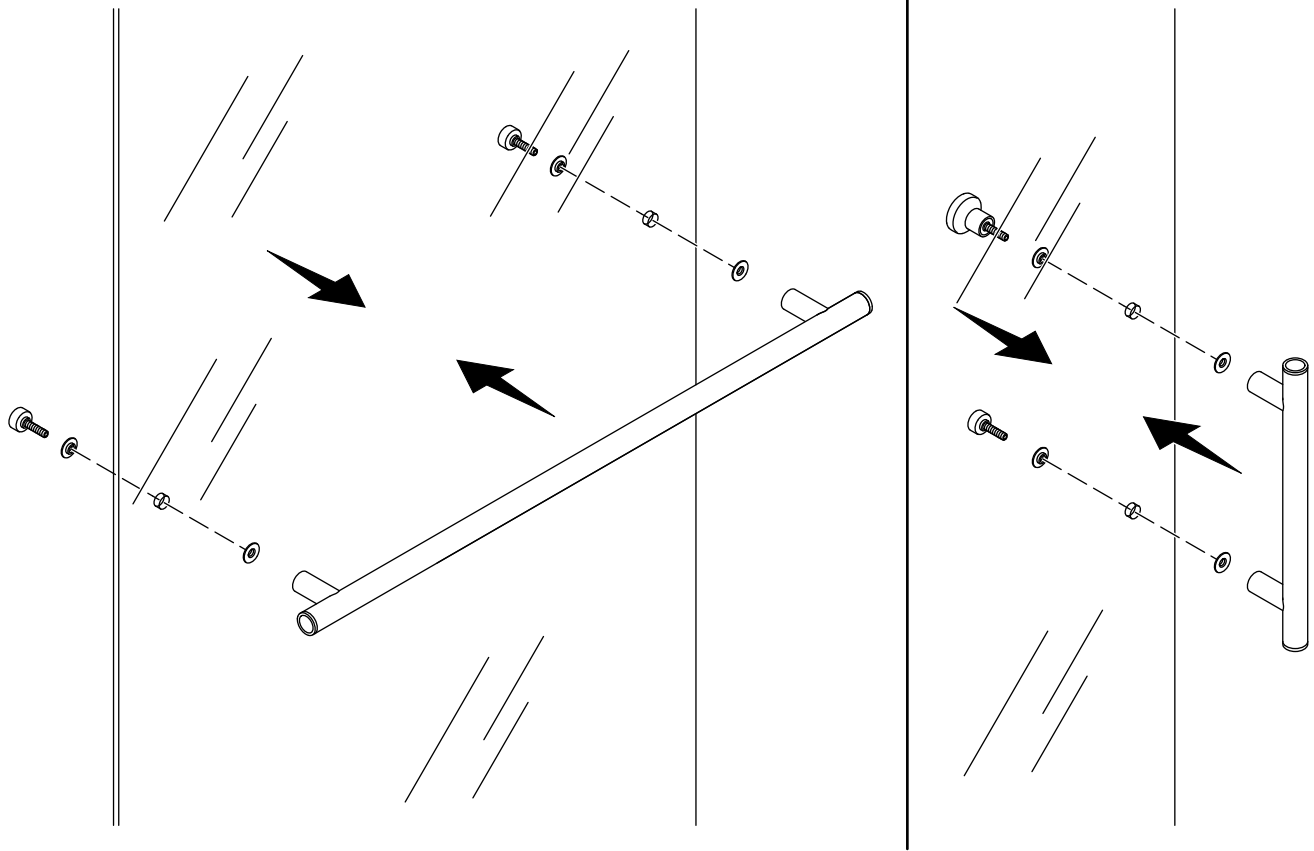
## 26. Ajuste el panel corredizo



- Afloje el tornillo en la tuerca con leva para ruedita superior del ensamblaje de ruedita.
- Con una llave de apriete ajustable, gire la tuerca con leva para ruedita para mover el panel hacia arriba y hacia abajo.
- Levante o baje cada lado del panel lo que sea necesario hasta que el sello en forma de bulbo del panel corredizo haga contacto por completo contra la pared desde la parte superior hasta la inferior.

## 27. Instale el la manija y el toallero de barra

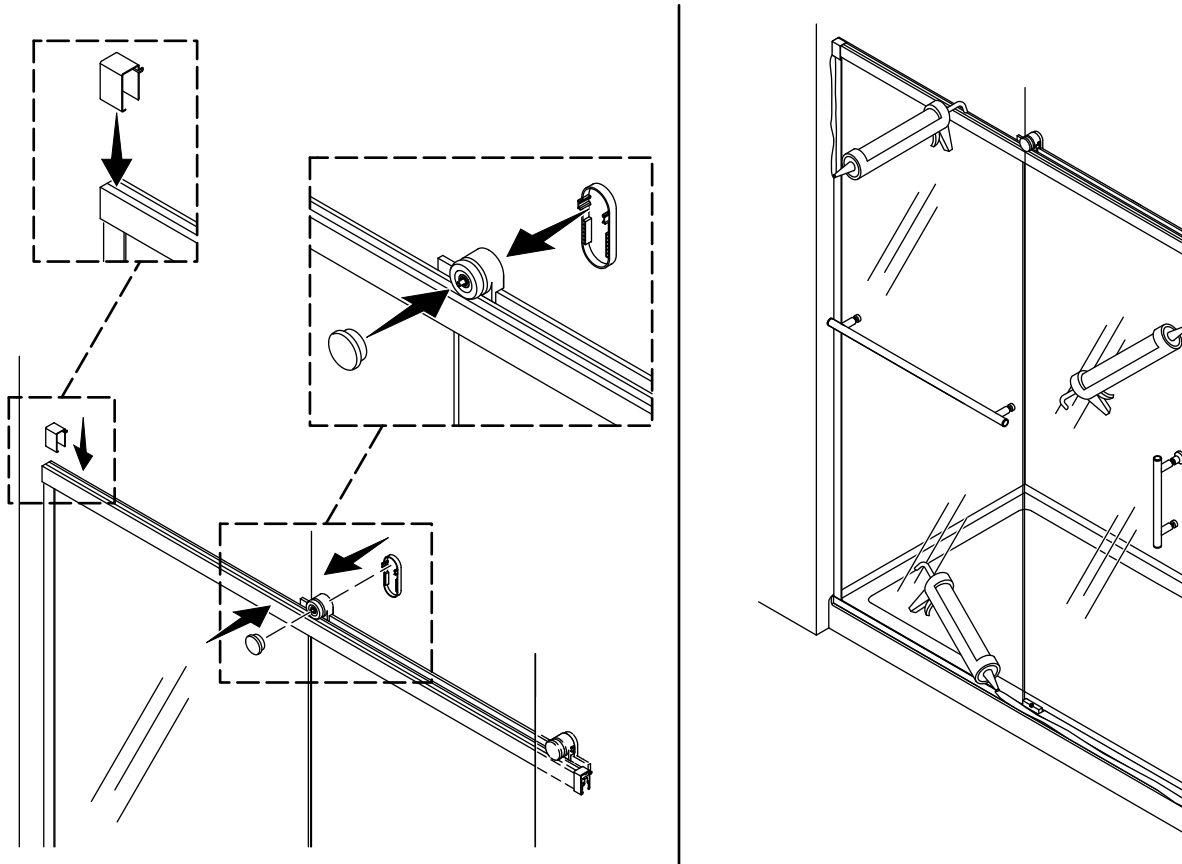
ES



- Instale un empaque a cada lado de los orificios en el vidrio.
- Alinee la manija y el toallero de barra con los orificios en el exterior de la ducha.
- Meta a presión un tornillo a través de cada uno de los orificios, y atornille cada uno de los tornillos en la manija y el toallero de barra para fijarlos.



## 28. Complete la instalación



**NOTA:** Al instalar, deje una separación entre la cubierta de la ruedita y la ruedita.

**NOTA:** La cubierta delgada del dintel se instala en el lado del panel corredizo.

- Aplique sellador 100 % de silicona a los bordes exteriores de las jambas murales y del umbral.
- Instale las cubiertas en el interior y en el exterior de los ensamblajes de las rueditas.
- Instale las cubiertas del dintel en los extremos del dintel. Aplique silicona para sostenerlas en su lugar, de ser necesario.

## Resolución de problemas

Esta guía de resolución de problemas está diseñada únicamente como ayuda general. Para obtener servicio bajo garantía, comuníquese con su concesionario o distribuidor, o llame al Centro de Atención al Cliente mediante la información que aparece al frente de este manual.

Síntomas	Causa probable	Acción recomendada
1. La puerta hace ruido al abrirla o al cerrarla.	<p><b>A.</b> Falta el sello en cuña entre el panel fijo y la jamba mural, o no está instalado por completo.</p> <p><b>B.</b> Los paneles de puerta están demasiado bajos, raspan contra la base de la guía central de la base de la ducha o del reborde de la bañera.</p> <p><b>C.</b> Las rueditas están sueltas.</p> <p><b>D.</b> Las rueditas se han desgastado y hacen ruido.</p> <p><b>E.</b> Hay desechos en el carril para rueditas.</p>	<p><b>A.</b> Instale el sello en cuña y oprímalo por completo en su lugar de acuerdo a la sección "Instale el sello en cuña".</p> <p><b>B.</b> Ajuste las rueditas para elevar el panel corredizo. Consulte la sección "Ajuste del panel corredizo".</p> <p><b>C.</b> Apriete los pernos de las rueditas con las herramientas necesarias.</p> <p><b>D.</b> Cambie las rueditas.</p> <p><b>E.</b> Retire el panel de la puerta, y limpie el carril para rueditas con aire comprimido o con un paño limpio. Verifique que no haya desechos en las rueditas.</p>
2. Es difícil mover la puerta o no abre.	<p><b>A.</b> El panel de la puerta está demasiado bajo y raspa contra la base de la guía central o contra la base de la ducha o del reborde de la bañera.</p> <p><b>B.</b> Las rueditas están sueltas.</p>	<p><b>A.</b> Ajuste las rueditas para elevar el panel corredizo. Consulte la sección "Ajuste del panel corredizo".</p> <p><b>B.</b> Apriete los pernos de las rueditas con las herramientas necesarias.</p>
3. El panel de la puerta está suelto y se columpia hacia dentro y hacia fuera de la ducha.	<p><b>A.</b> La guía central no está instalada.</p> <p><b>B.</b> La guía central no está instalada en el lugar correcto.</p> <p><b>C.</b> El panel de la puerta no está bien instalado en la guía central.</p> <p><b>D.</b> El panel de la puerta está demasiado alto.</p>	<p><b>A.</b> Instale la guía central de acuerdo con la sección "Instale la guía central".</p> <p><b>B.</b> Instale la guía central en el espacio abierto para entrar, y verifique que quede alineada con el borde del panel fijo.</p> <p><b>C.</b> El panel de vidrio deben colocarse en la canaleta de la guía central.</p> <p><b>D.</b> Ajuste las rueditas para bajar el panel corredizo. Consulte la sección "Ajuste del panel corredizo".</p>
4. La guía central está suelta.	<p><b>A.</b> El tornillo de la guía central no está apretado.</p>	<p><b>A.</b> Apriete a mano el tornillo con una llave hexagonal de apriete de 5/32 pulg., y luego apriete media vuelta adicional.</p>

Síntomas	Causa probable	Acción recomendada
5. Se fuga agua.	<p><b>A.</b> Se fuga agua por abajo del panel fijo.</p> <p><b>B.</b> Se fuga agua entre la pared y la jamba mural.</p> <p><b>C.</b> Se fuga agua entre el panel corredizo y la pared.</p> <p><b>D.</b> Se fuga agua entre el panel corredizo y el panel fijo.</p>	<p><b>A.</b> Aplique sellador 100 % de silicona al borde exterior inferior del panel fijo. Siga las instrucciones del fabricante del sellador de silicona antes de usar la ducha.</p> <p><b>B.</b> Aplique sellador 100 % de silicona donde la pared hace contacto con la jamba mural, tanto en el interior como en el exterior de la ducha. Siga las instrucciones del fabricante del sellador de silicona antes de usar la ducha.</p> <p><b>C.</b> Ajuste los rodamientos de forma que el sello en forma de bulbo en la puerta haga contacto parejo con la pared. Siga las instrucciones en la sección "Ajuste el panel corredizo".</p> <p><b>D.</b> Confirme que los sellos verticales estén bien instalados.</p>
6. El ensamblaje de cierre suave no tira de la puerta para cerrarla o para abrirla.	<p><b>A.</b> El pestillo no está en la posición correcta cuando la puerta está cerrada.</p> <p><b>B.</b> El pestillo no está en la posición correcta cuando la puerta está abierta.</p> <p><b>C.</b> El pestillo no permanece en la posición abierta después de abrir la puerta.</p>	<p><b>A.</b> Verifique que el pestillo en el ensamblaje de cierre suave más cercano a la pared contra la que se cierra esté en la posición abierta antes de cerrar la puerta. Consulte la sección "Ajuste el ensamblaje de cierre suave".</p> <p><b>B.</b> Antes de abrir la puerta, verifique que el pestillo en el ensamblaje de cierre suave más cercano al parachoques esté en la posición cerrada. Consulte la sección "Ajuste el ensamblaje de cierre suave".</p> <p><b>C.</b> Llame al Centro de Atención al Cliente.</p>

USA/Canada: 1-800-4KOHLER (1-800-456-4537)  
Mexico: 001-800-456-4537  
kohler.com

THE BOLD LOOK  
OF **KOHLER**®

©2022 Kohler Co.



1472437-2

1472437-2-A