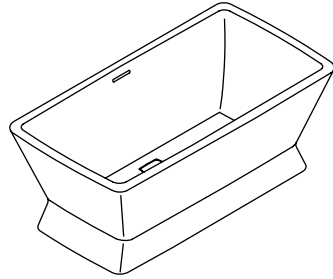


### INSTALLATION INSTRUCTIONS



**P50204**

## INSTALLATION INSTRUCTIONS

### BEFORE YOU BEGIN

**⚠ CAUTION: Risk of personal injury.** This bath is extremely heavy. Obtain sufficient help **and** use lifting straps to carefully lift or move the bath.

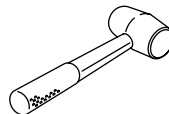
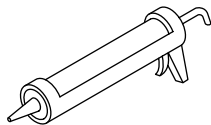
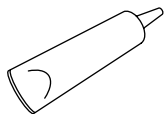
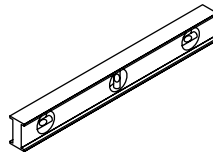
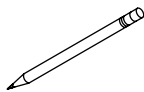
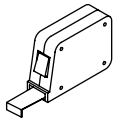
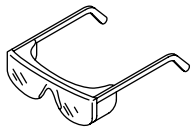
**IMPORTANT!** To ensure a successful installation, install the bath on a level finished floor.

**IMPORTANT!** The drain cover and gaskets are included in a small box within the carton. Make sure you locate and retain the small box before discarding the carton and packing material.

**NOTE:** Your product may appear different from the one illustrated. The installation procedure is the same.

- Follow all local plumbing and building codes.
- Unpack and inspect the bath for damage. Return the bath to the carton until installation.
- To simplify future maintenance, make sure all plumbing connections around the bath are easily accessible.
- This bath is heavy and will not easily fit through doorways. Carefully plan how to move the bath into the installation area.
- Install the bath to an adequately supported, level finished floor.
- This bath is designed for a freestanding installation only.
- This bath features a factory-installed drain and an integral, cast overflow.
- Install a floor- or ceiling-mount bath filler with this freestanding bath.
- This bath conforms to CSA B45.5/IAPMO Z124.

### TOOLS AND MATERIALS



Silicone Sealant

Construction Adhesive

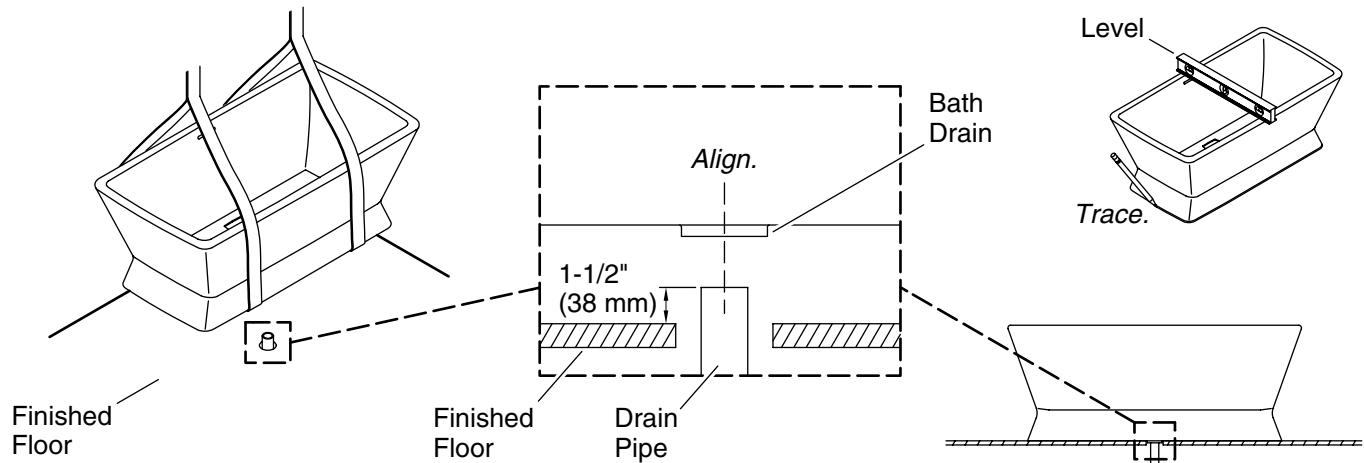
Rubber Mallet

**Plus:**

- Drop cloth
- Lifting straps
- Shims
- Short Ø 1-1/2" PVC pipe or coupling

## INSTALLATION INSTRUCTIONS

### 1. PREPARE THE SITE



**⚠ CAUTION: Risk of personal injury.** This bath is extremely heavy. Obtain sufficient help **and** use lifting straps to carefully lift or move the bath.

**NOTICE:** Provide adequate floor support.

**NOTICE:** Measure your product for site preparation. Visit the product page at [kallista.com](http://kallista.com) for more information.

- Determine the location of the bath.
- Position the bath so that it is oriented as desired, with the overflow side of the bath facing the preferred direction.
- Make sure the subfloor offers adequate support for your bath.
- Make sure the subfloor is level.

**IMPORTANT!** To ensure a successful installation, install the bath on a level finished floor.

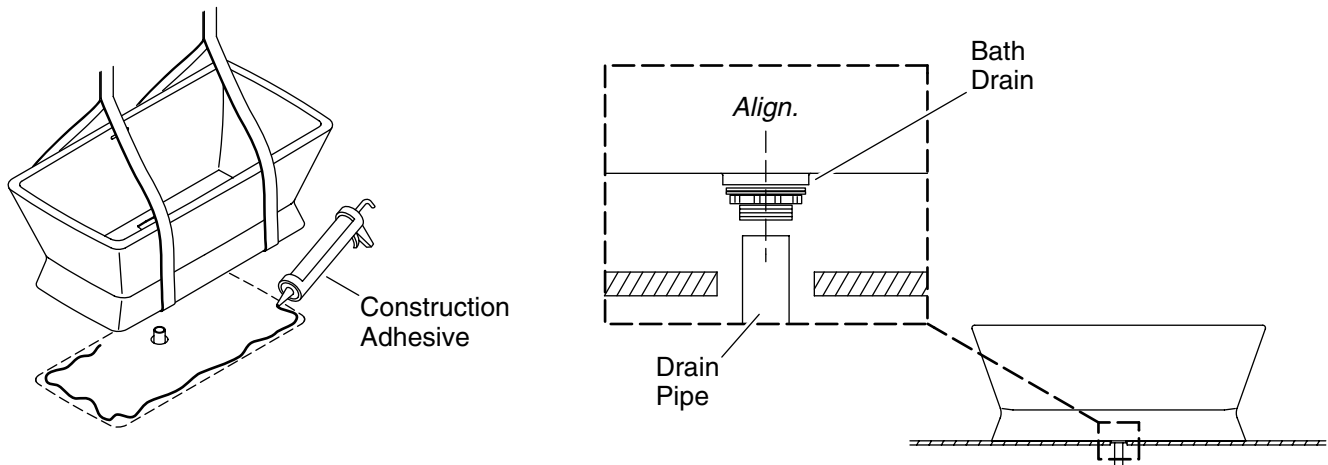
- Install the finished floor material.
- Make sure the finished floor is level before proceeding.
- Position and install a standard PVC or brass bath drain pipe. Install the drain pipe so it extends 1-1/2" (38 mm) above the finished floor.

#### Position the Bath

- With help, use lifting straps to carefully lift the bath into position over the drain pipe.
- Make sure the drain pipe is centered in the bath drain.
- Using a pencil, trace the footprint of the bath on the floor.

## INSTALLATION INSTRUCTIONS

## 2. INSTALL THE BATH



**⚠ CAUTION: Risk of personal injury.** This bath is extremely heavy. Obtain sufficient help **and** use lifting straps to carefully lift or move the bath.

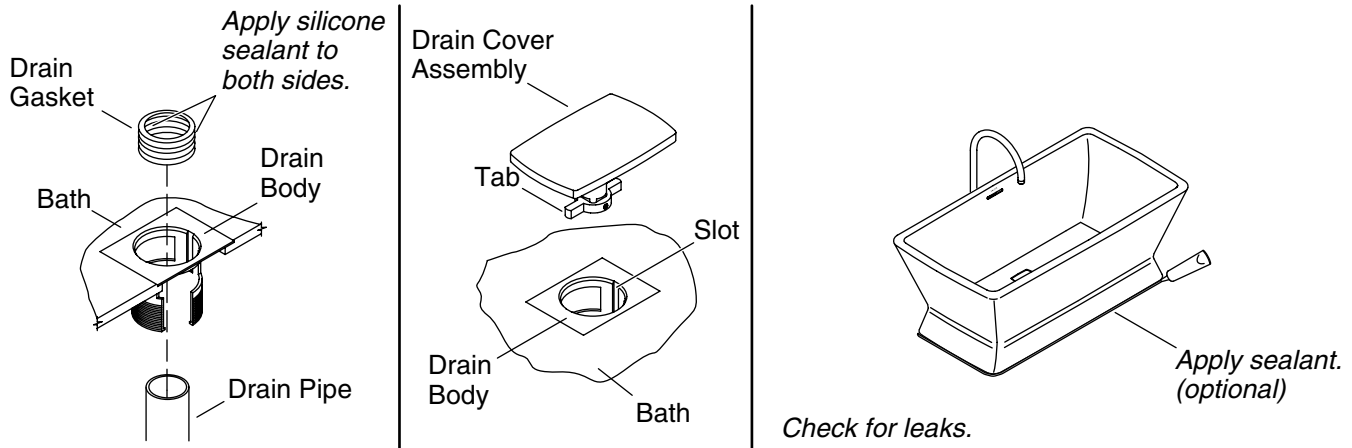
**⚠ CAUTION: Risk of property damage.** Make sure the factory-installed drain connections have not become loose during shipping. Tighten as needed to prevent leakage.

**NOTE:** Your bath may appear different from the one illustrated. The installation procedure is the same.

- With help, use lifting straps to carefully lift the bath off the floor.
- Apply construction adhesive inside the perimeter of the footprint on the floor, within about a 2" (51 mm) area inside the traced line.
- Carefully set the bath on the floor, aligned with the traced footprint. Adjust the bath position as needed to ensure that the drain pipe is in the center of the bath drain hole.
- Wipe away any excess adhesive.

## INSTALLATION INSTRUCTIONS

### 3. INSTALL THE PLUMBING



**⚠ CAUTION: Risk of property damage.** Make sure a watertight seal exists on all bath drain connections.

#### Make the Drain Connections

**NOTE:** The drain cover and gaskets are included in a small box located within the carton.

**NOTE:** Your bath may appear different from the one illustrated. The installation procedure is the same.

- Choose the thin drain cover for PVC drain pipes or the thick gasket for brass pipes.
- Apply silicone sealant to the inside and outside surfaces of the drain gasket to act as a lubricant.
- Use a rubber mallet and short section of 1-1/2" PVC tubing to install the drain gasket onto the drain pipe.
- Line up the tabs on the drain cover with the slots in the drain body, and insert the drain cover assembly into the flange.
- Press the drain cover several times to make sure the drain opens and closes properly.

#### Apply Sealant - Optional

- If desired, apply a thin, continuous bead of clear or color-matched silicone sealant to the seam between the bath and the finished floor.

#### Install the Bath Filler

- Install the bath filler according to the faucet manufacturer's instructions.
- Close the bath drain. Fill the bath to the overflow, and check for leaks.