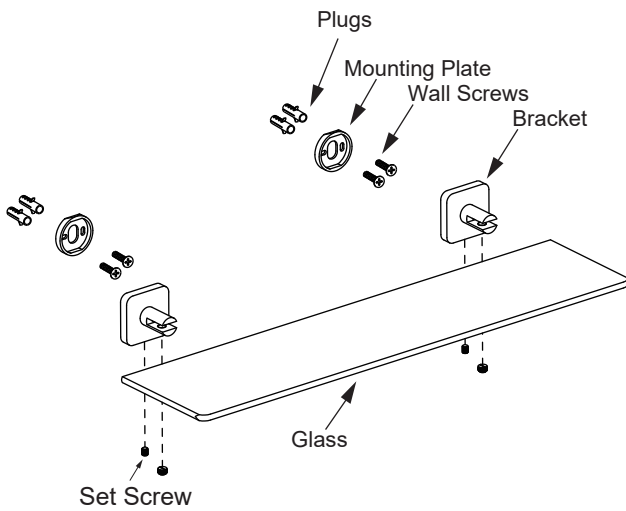


## MILAN COLLECTION

### GLASS SHELF

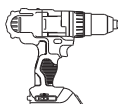
254671



#### Tools required for installation



Level



Drill



Pencil



Screwdriver



Hammer

#### Step 1

1. 2.5mm

Loosen the set screw on the accessory and remove the backing plate. Position the accessory against the wall and mark outline with pencil.

#### Step 2

Position the backing plate flat side down on the wall and mark holes with pencil.

#### Step 3

Predrill 3/16" holes on the wall to fit wall plugs. Insert wall plugs into the wall. Position backing plate flat side down over the plugs and install screws.

#### Step 4

2.5mm

Slide the brackets onto the backing plates and tighten the set screws using Allen key provided.

#### Step 5

Insert the glass into the brackets and tighten the glass with set screws.