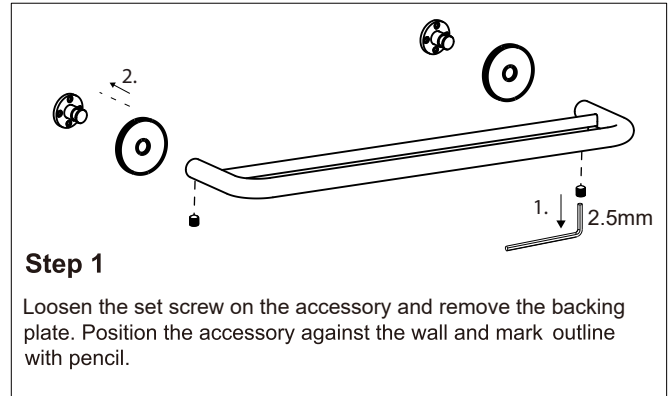
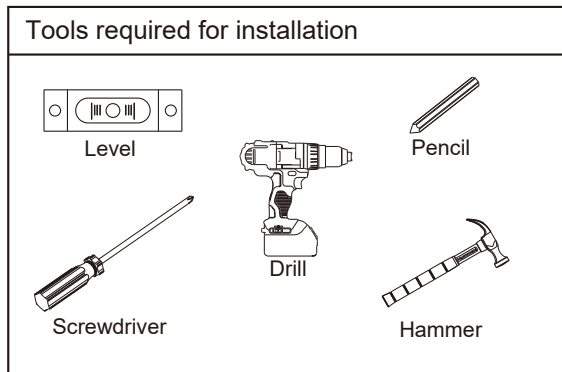
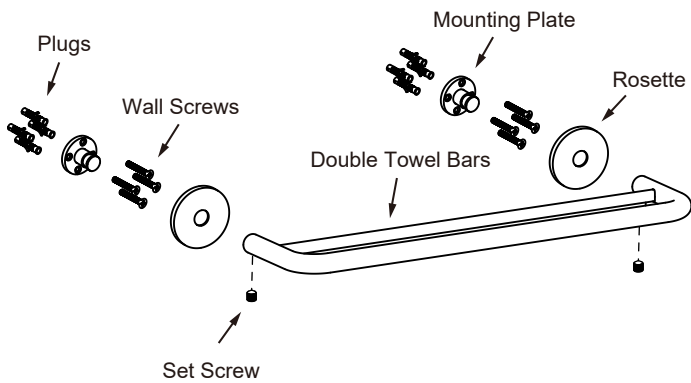


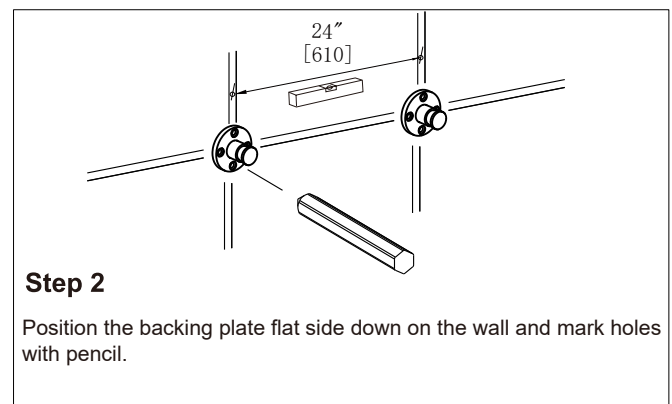
NICE COLLECTION

DOUBLE TOWEL BARS

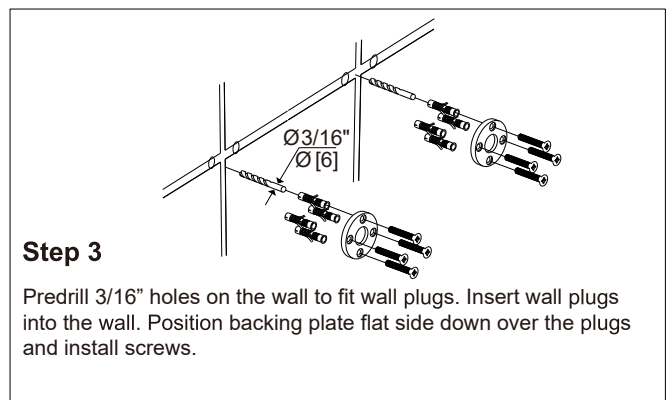
170242



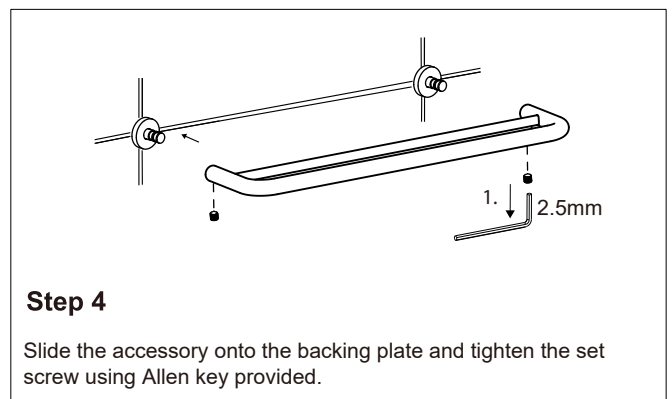
Loosen the set screw on the accessory and remove the backing plate. Position the accessory against the wall and mark outline with pencil.



Position the backing plate flat side down on the wall and mark holes with pencil.



Predrill 3/16" holes on the wall to fit wall plugs. Insert wall plugs into the wall. Position backing plate flat side down over the plugs and install screws.



Slide the accessory onto the backing plate and tighten the set screw using Allen key provided.