

SPECIFICATIONS

PRODUCT SPECIFICATIONS

Just Mfg Stainless Steel 24" x 20-3/4" x 27-3/4" Wall Hung Lavatory Sink Kit with Enclosure. Sink is manufactured from 18 gauge 304 Stainless Steel with a Buffed Satin finish, Center drain placement.

Material:	304 Stainless Steel
Finish:	Buffed Satin
Gauge:	18
Number of Bowls:	1
Sink Dimensions:	24" x 20-1/4" x 27-3/4"
Bowl 1 Dimensions:	17-7/8" x 12-7/8" x 4-1/2"
Drain Size:	1-1/2" (38mm)
Drain Location:	Center
Minimum Cabinet Size:	9999"

Included with Product: sensor faucet with AC plug-in / 4 AA batteries,
J-ADA-115-FS drain,
JTM-47 mixing valve

Quality Grade Plumbing Products. Since 1933 we have become the industry standard for designing and producing quality grade plumbing products and fixtures. Our role as an industry leader remains unsurpassed.



Product Compliance: ADA & ICC A117.1
ASME A112.19.3/CSA B45.4

Faucet: NSF 372 (lead free)
Accessory: ASSE 1069
ASSE 1070
ASSE 1017
NSF 372 (lead free)



Complies with ADA & ICC A117.1 accessibility requirements when installed according to the requirements outlined in these standards.

[Clean and Care Manual \(PDF\)](#)
[Warranty \(PDF\)](#)

PART: _____ QTY: _____

PROJECT: _____

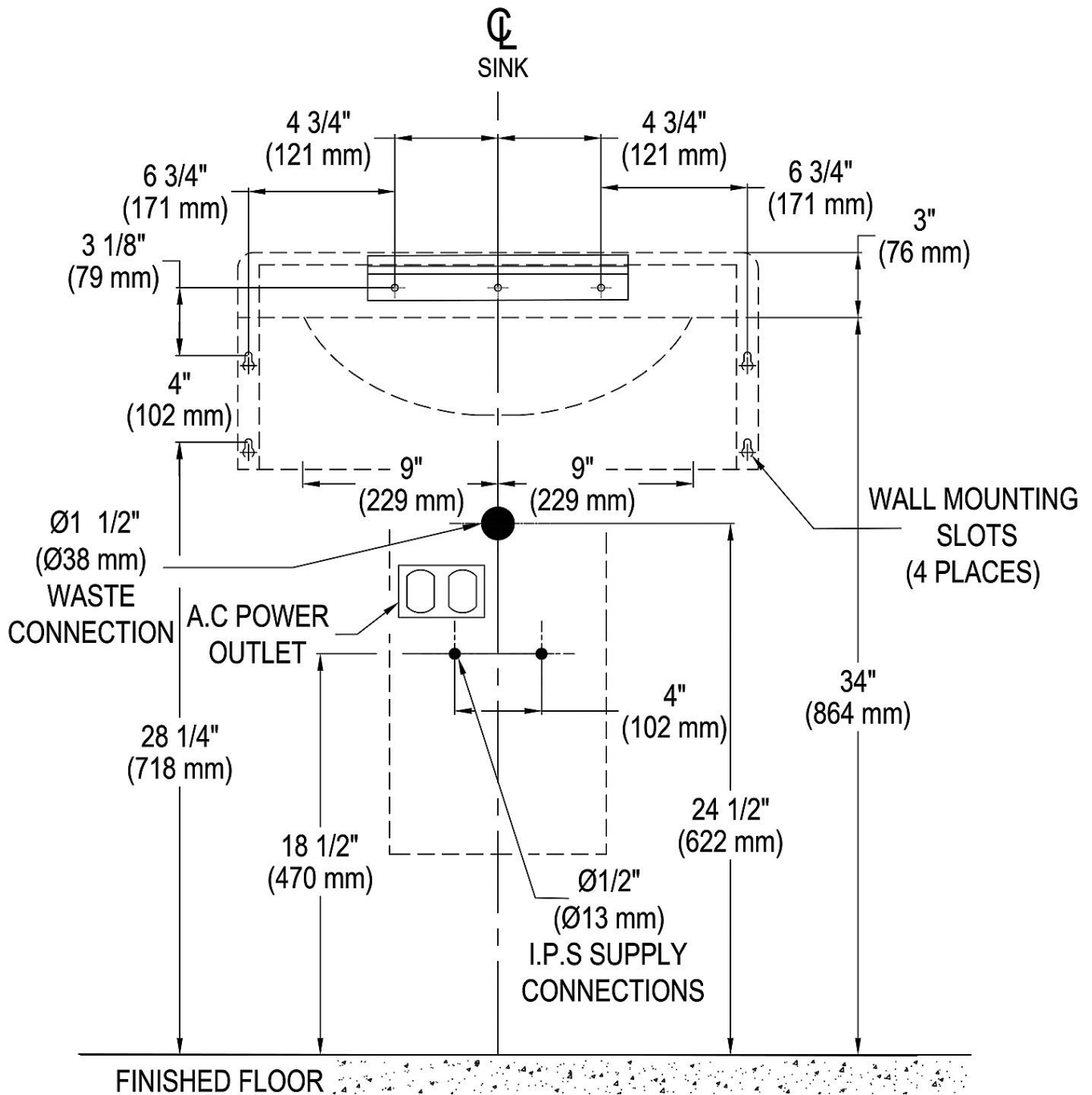
CONTACT: _____

DATE: _____

NOTES: _____

APPROVAL: _____

In keeping with our policy of continuing product improvement, Just Mfg reserves the right to change product specifications without notice. Please visit justmfg.com for the most current version of Just Mfg product specification sheets. This specification describes a product with design, quality, and functional benefits to the user. When making a comparison of other producers' offerings, be certain these features are not overlooked.



***NOTE:** ALTERING THIS DIMENSION COULD CAUSE SINK TO BECOME NON-ADA COMPLIANT

NOTES:

1. ALL FASTENERS SUPPLIED BY OTHERS.
2. WALL MOUNTING SLOTS CORRESPOND WITH Ø 5/16" (Ø8mm) SLOTS IN SINK TURNBACK.