

SPECIFICATIONS

PRODUCT SPECIFICATIONS

Just Mfg Stainless Steel 27" x 27-1/2" x 14" Floor Mount Single Compartment Scullery Sink. Sink is manufactured from 14 gauge 304 Stainless Steel with a Buffed Satin finish, Center drain placement.

Material:	304 Stainless Steel
Finish:	Buffed Satin
Gauge:	14
Weight Without Packaging:	78.5
Number of Bowls:	1
Sink Dimensions:	27" x 27-1/2" x 44"
Bowl 1 Dimensions:	24" x 24" x 14"
Backsplash Height:	8
Drain Size:	3-1/2" (89mm)
Drain Location:	Center



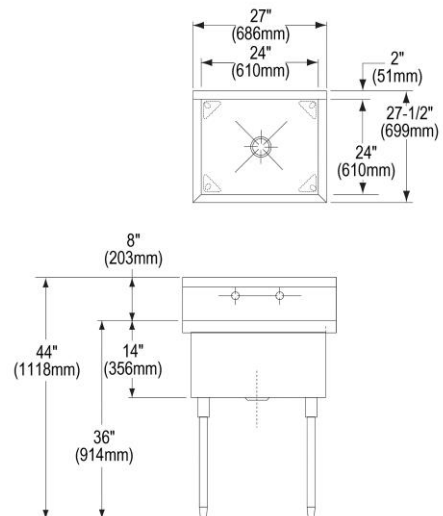
Quality Grade Plumbing Products. Since 1933 we have become the industry standard for designing and producing quality grade plumbing products and fixtures. Our role as an industry leader remains unsurpassed.



Product Compliance: ASME A112.19.3/CSA B45.4



[Clean and Care Manual \(PDF\)](#)
[Warranty \(PDF\)](#)



PART: _____ QTY: _____

PROJECT: _____

CONTACT: _____

DATE: _____

NOTES: _____

APPROVAL: _____

In keeping with our policy of continuing product improvement, Just Mfg reserves the right to change product specifications without notice. Please visit justmfg.com for the most current version of Just Mfg product specification sheets. This specification describes a product with design, quality, and functional benefits to the user. When making a comparison of other producers' offerings, be certain these features are not overlooked.



Just Mfg Stainless Steel 27" x 27-1/2" x 14" Floor Mount Single
Compartment Scullery Sink

Model(s) SB124-J

SPECIFICATIONS

In keeping with our policy of continuing product improvement, Just Mfg reserves the right to change product specifications without notice. Please visit justmfg.com for the most current version of Just Mfg product specification sheets. This specification describes a product with design, quality, and functional benefits to the user. When making a comparison of other producers' offerings, be certain these features are not overlooked.