



JETTA

JETTA SHOWER BASES

SULLIVAN 59" x 32" x 26"

[SBR-6032]

Sullivan integrates seamlessly into most bathroom design styles with its clean, smooth lines and molded tile flange. Maximize comfort with a low entry threshold and molded interior seat.

FEATURES

- High-gloss, high-impact, UV-resistant acrylic that does not dull or fade
- Molded tile flange
- Seat available in both left hand and right hand configurations
- Fits standard 60"x32" retrofit
- Low 3" threshold for easy entry
- 10-year limited factory warranty

DRAIN POSITIONS

- LEFT DRAIN SBR-6032L-WT-AS
- RIGHT DRAIN SBR-6032R-WT-AS

COLOR

- White



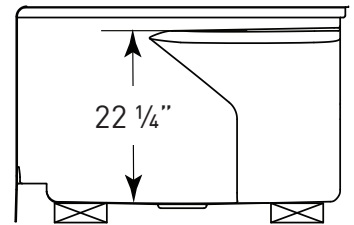
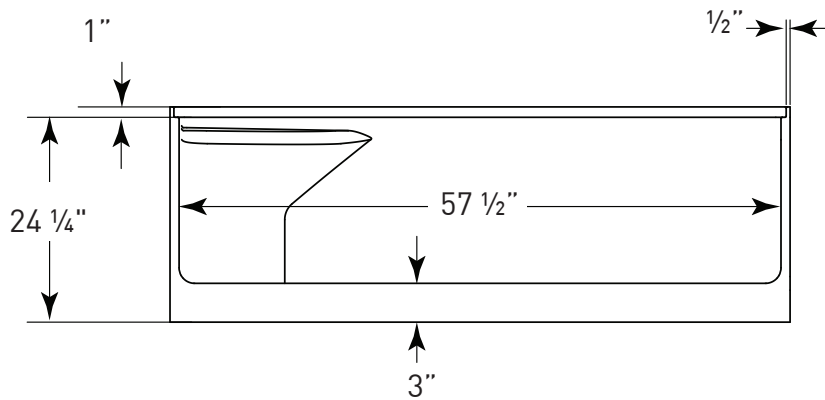
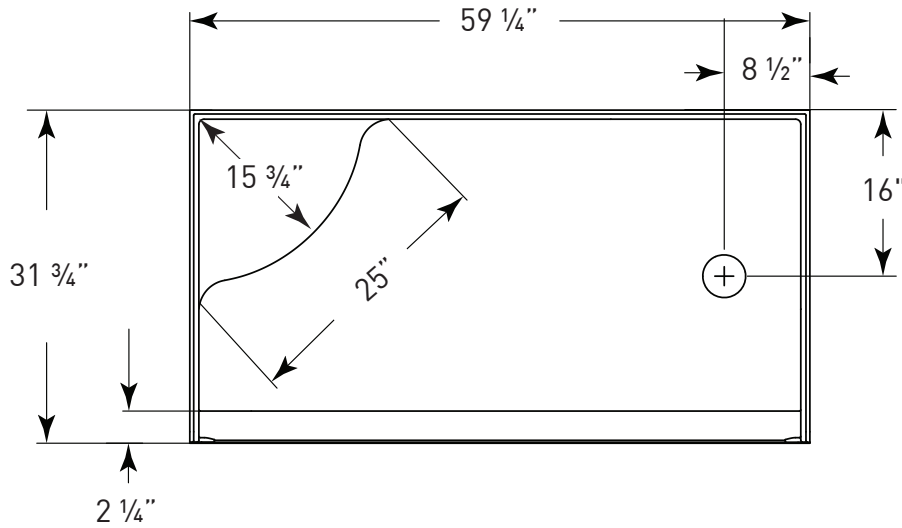
FOR INFORMATION
OR TO PLACE AN ORDER
CALL 1.800.288.7771



SULLIVAN

59" x 32" x 26"

SBR-6032



DROP-IN / CUT-OUT DIMENSIONS

N/A

SHIPPING WEIGHT 119 lbs.

Installation: Measure shower base prior to installation. For best results, Jetta Corporation recommends 1"-3" of mortar bedding under the tub base for maximum support. Dimensional variance on drawings may be +/- 1/2 inch and are subject to change without notice.

JETTACORP.COM



© 2018 Jetta Corporation. All rights reserved. Specifications are subject to change without notice.
REV 03/2018

TECHNICAL SPECIFICATIONS