

Affinity Collection

J55L

66" X 42" X 21"

CENTER DRAIN



JETTAWHIRL
HYDROTHERAPY

JETTA




KNOX

66" X 42" X 21" - RECTANGLE (2 PERSON)

FEATURES

- 12 seamless InvisiJets including:
 - 2 back jets on each end
 - 4 body jets on each side
- 2 B.P.H. pump – 9 Amps
- Suitable for drop-in or undermount applications
- High gloss/high impact acrylic
- Totally insulated with polyurethane foam
- Passive warm air induction system
- Gravity flow draining for sanitary bathing
- Anti-microbial flex piping
- Pre-leveled lip
- Slip resistant bottom
- Linear drain
- Sound absorption
- 10 year limited factory warranty

OPTIONS AVAILABLE

- Mood or LED light
- Spa pillows
- 6" acrylic grab bars
- JettaWARM Heated Backrest 

COLORS AVAILABLE

Standard Color: White
Decorator Colors*: Biscuit

*Requires additional lead time

RECOMMENDED OPERATING GALLONS

Minimum: 55
Maximum: 110

*Minimum operating gallon capacity required for system operation



JettaWarm is a surface heating system secured beneath the acrylic in a blanket of insulation to provides gentle warmth on the back rest of your tub before your bath begins.

JETTAWARM

Activates in minutes, bathers can relax from the moment they enter the tub. Soaker tubs have full backrest coverage, while a whirlpool or combo has a system designed to wrap around the hydrotherapy features and warm the acrylic where you need it.

JETTACORP.COM

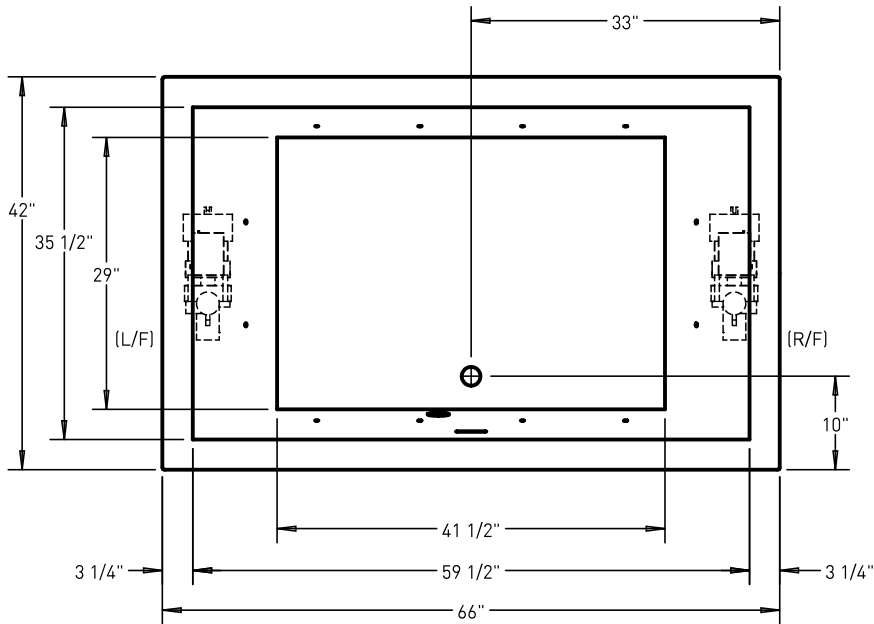


Jetta guarantees that the water temperature in our insulated whirlpool baths will stay within 2 degrees of its original fill temperature for 30 minutes of use without an inline heater.

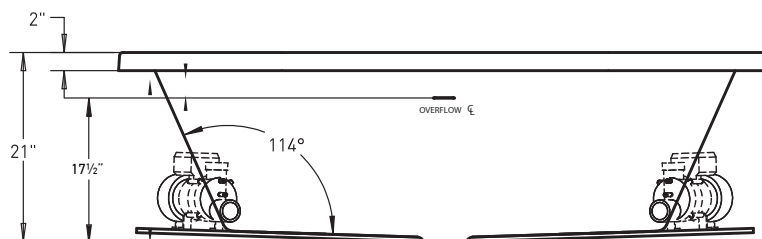
J55L

Affinity Collection **KNOX**

JETTA WHIRL HYDROTHERAPY | 66" X 42" X 21" | CENTER DRAIN



Note: optional pump/blower positions available.



ELECTRICAL SPECIFICATIONS

Required Electrical Service 110/115 Volts
Standard Whirlpool 20 amp GFI
Each pump must be protected by a dedicated GFI breaker (refer to local codes).

CODES/STANDARDS APPLICABLE

Specific model meets or exceeds the requirements for the following standards: ANSI, ASME.

SUGGESTED PUMP ACCESS PANEL

Suggested access size 20" x 12"
Actual size may vary depending on distance of access to pump location.

DROP-IN CUT OUT DIMENSIONS

Subtract 1" from length and width dimensions
Actual cut out dimension 65" x 41"

SHIPPING WEIGHT 175 lbs

*L/F, R/F pump positions are standard.
Custom pump locations available upon request.



INSTALLATION: MEASURE TUB BEFORE BUILDING TUB DECK.

For best results, Jetta Corporation recommends 1"-3" of mortar bedding under the tub base for maximum support. Drawing shows manufacturer's standard pump location(s). Contact Jetta for details. Dimensional variance on drawings may be +/- 1/2 inch and are subject to change without notice.

JETTACORP.COM



© 2020 Jetta Corporation. All rights reserved. Specifications are subject to change without notice.
REV 09/2020

TECHNICAL SPECIFICATIONS