

Affinity Collection

J530L

66" X 36" X 21"

CENTER DRAIN



JETTA
HYDROTHERAPY



JETTA

ETTA



66" X 36" X 21" - RECTANGLE (2 PERSON)

FEATURES

- 37 seamless air injectors
- 600 watt air heater
- Suitable for drop-in or undermount applications
- High gloss/high impact acrylic
- Totally insulated with polyurethane foam
- Pre-leveled lip
- Slip resistant bottom
- Linear drain
- LED light standard
- Electronic keypad control
- Sound absorption
- 10 year limited factory warranty




JETTA WARM

JettaWarm is a surface heating system secured beneath the acrylic in a blanket of insulation to provides gentle warmth on the back rest of your tub before your bath begins.

Activates in minutes, bathers can relax from the moment they enter the tub. Soaker tubs have full backrest coverage, while a whirlpool or combo has a system designed to wrap around the hydrotherapy features and warm the acrylic where you need it.

OPTIONS AVAILABLE

- Spa Pillows
- 6" acrylic grab bars
- JettaWARM Heated Backrest 

COLORS AVAILABLE

Standard Color: White

Decorator Colors*: Biscuit

*Require additional lead time

RECOMMENDED OPERATING GALLONS

Minimum: 45

Maximum: 89

JETTACORP.COM

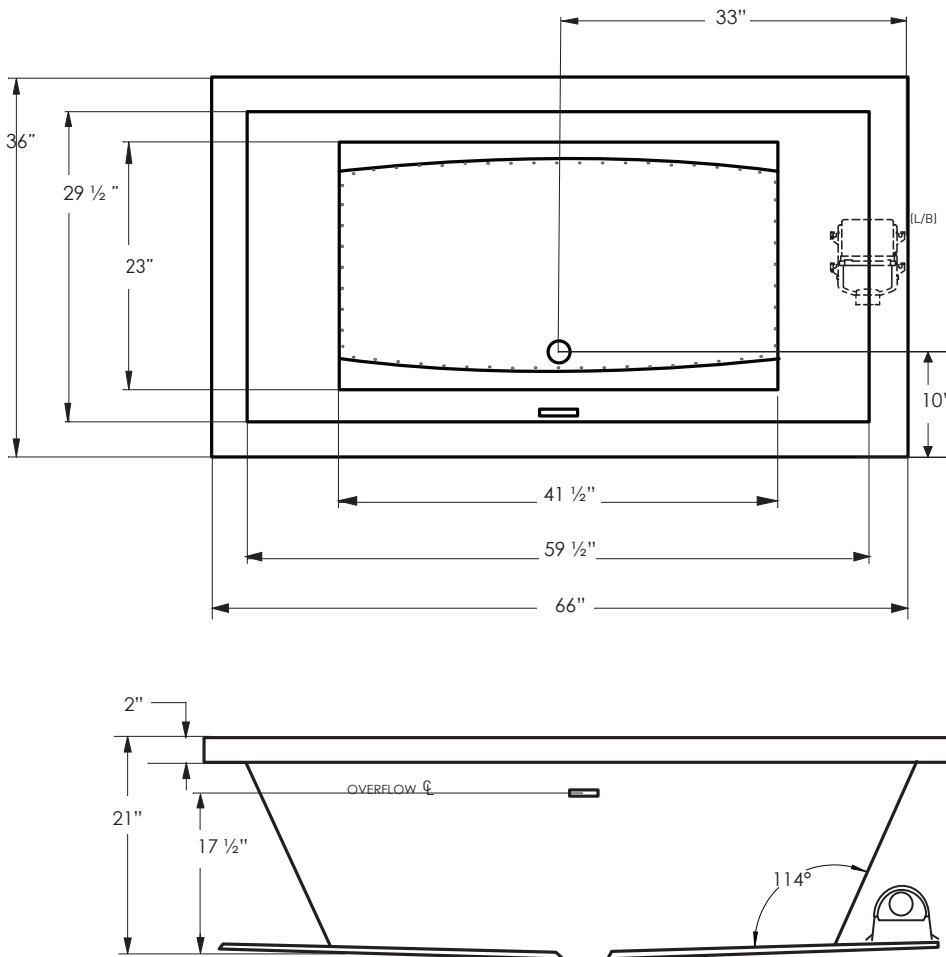


J530L

Affinity Collection

ETTA

JETTA AIR HYDROTHERAPY | 66" X 36" X 21" | CENTER DRAIN



ELECTRICAL SPECIFICATIONS

Required Electrical Service 110/115 Volts
Standard Air 20 amp GFI
Each blower must be protected by a dedicated GFI breaker (refer to local codes).

CODES/STANDARDS APPLICABLE

Specific model meets or exceeds the requirements for the following standards: ANSI, ASME.

SUGGESTED BLOWER ACCESS PANEL

Suggested access size 20" x 12"
Actual size may vary depending on distance of access to blower location.

DROP-IN CUT OUT DIMENSIONS

Subtract 1" from length and width dimensions
Actual cut out dimension 65" x 35"

SHIPPING WEIGHT 155 lbs

*L/F, R/F blower positions are standard.
Custom blower locations available upon request.



INSTALLATION: MEASURE TUB BEFORE BUILDING TUB DECK.

For best results, Jetta Corporation recommends 1"-3" of mortar bedding under the tub base for maximum support. Contact Jetta for details.
Dimensional variance on drawings may be +/- 1/2 inch and are subject to change without notice.

JETTACORP.COM



© 2020 Jetta Corporation. All rights reserved. Specifications are subject to change without notice. REV 01/2022

TECHNICAL SPECIFICATIONS