

Multi Turn Angle Pattern 5/8" O.D. Compression (Fits 1/2" Copper) x 3/8" O.D. Faucet Supply Kit with Oval Handle, 20" Supply Tubes, Cover Tubes, Escutcheons



Model #: 5812-62CT-

FEATURES:

- Complete Faucet Supply Kit
- Kit contains:
 - (2) Multi Turn Angle Pattern 5/8" O.D. Compression (Fits 1/2" Copper) x 3/8" O.D. Supply Valve with Oval Handle P/N 5812
 - (2) 20" Copper Supply Tubes P/N 662
 - (2) Cover Tubes P/N 579
 - (2) Escutcheons P/N 7116

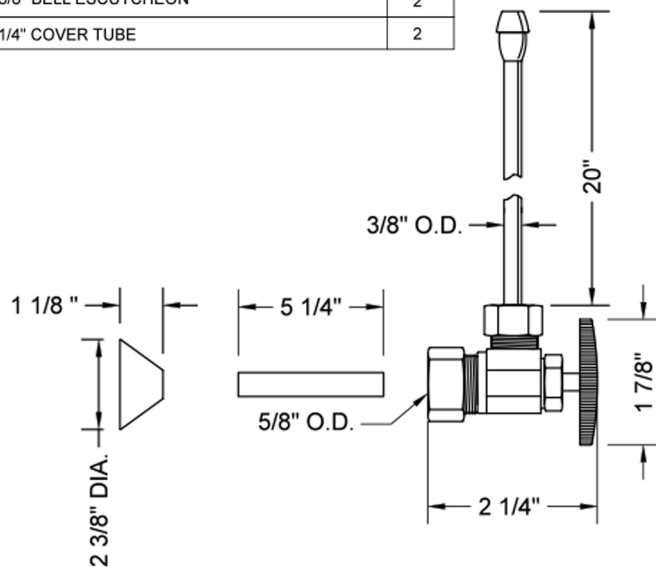


AVAILABLE FINISHES:

- | | | |
|-----------------------|---------------------|-------------------------|
| Polished Chrome (PCH) | Satin Chrome (SC) | Satin Nickel (SN) |
| Polished Nickel (PN) | Antique Brass (AB) | Oil-Rubbed Bronze (ORB) |
| Polished Brass (PB) | Vintage Bronze (VB) | |

SPECIFICATION DRAWING:

COMPONENTS	
DESCRIPTION	QTY:
ANGLE VALVE - OVAL HANDLE	2
20" X 3/8" O.D. SUPPLY TUBE	2
2 3/8" BELL ESCUTCHEON	2
5 1/4" COVER TUBE	2



AVAILABLE HANDLES:

