

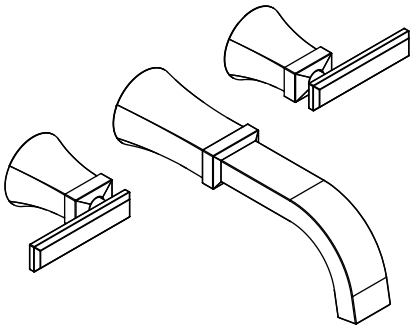
### 230.2450 | Three Hole Wall Mount Tub Filler

#### SPECIFICATIONS:

- Solid Brass construction - includes valve (WLM.1900)
- Three Hole Installation
- 8.0 GPM Flow Rate @ 60 PSI
- Extension Available - 230.1950E\*\*

#### STANDARDS:

- ASME A112.18.1 / CSA B125.1, NSF-61



LowFlow Capable



Legislation Compliance



Low Lead Compliant



ZeroDrip Technology



#### Technical Diagram

