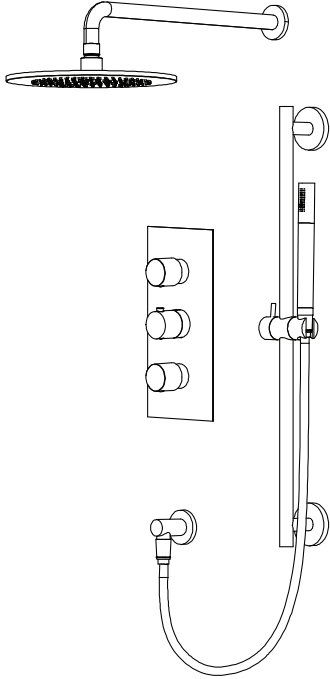


## 100.7200 | Two Output Shower W/ Rain Head, Hand Held, & Slide Bar



### COMPONENTS

- HS1012SA - 16" Shower Arm
- HSB.10R - 10" Shower Head
- 100.4401T - Shower Trim
- TVH.4401 - Shower Valve
- HS1004H - Hand Held
- 100.5502 - Wall Elbow
- SP.150EM - 1.5m Hose
- 100.601001A - Slide Bar

### SHOWER VALVE:

- Thermostatic shower valve w/ stops
- Bottom handle controls handheld.
- Top handle controls shower head
- Middle handle controls temperature
- Shared port operation

### SHOWER HEAD:

- Solid brass construction
- 1.8 GPM flow rate

### HAND HELD W/ SLIDE BAR & ELBOW:

- Solid Brass construction
- Hand held flow rate = 1.8 GPM
- 1/2" female NPT elbow connection
- With back flow prevention check valve

### STANDARDS:

- ASME A112.18.1 / CSA B125.1

See individual component specification sheets on following pages for further details.



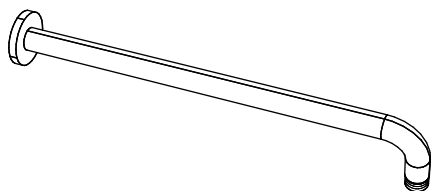
HS1012SA | Round Shower Arm - 400mm - 16"

SPECIFICATIONS:

- Solid Brass Shower Arm
- With Sliding Flange

FAST SHIP FINISHES :

- Chrome - HS1012SACP / Brushed Nickel - HS1012SABN



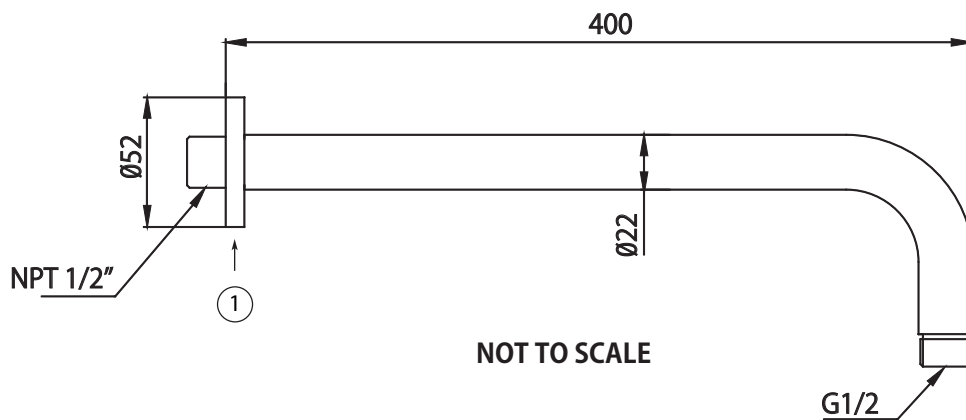
Legislation Compliance



ZeroDrip Technology



Technical Diagram



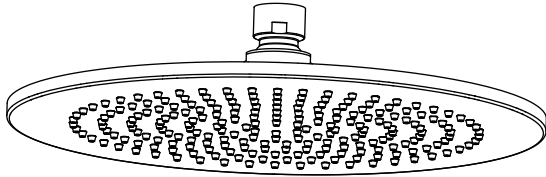
Part Number Guide:

- ① Flange - HS1002SA-1253CP - Chrome  
HS1002SA-1253BN - Brushed Nickel

**HSB.10R | 10" Brass Shower Head**

**SPECIFICATIONS:**

- Solid Brass Shower Head
- Scrub rubber nozzles to easily clean water sediment
- 1.8 GPM Flow Rate
- 212 Nozzles



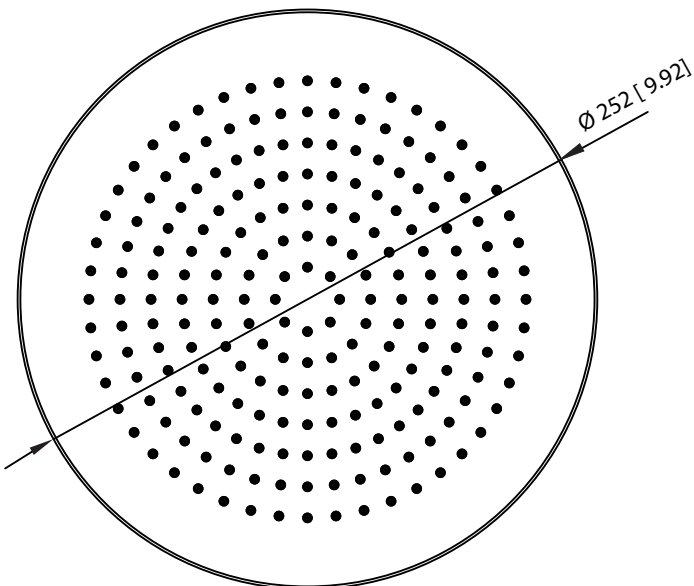
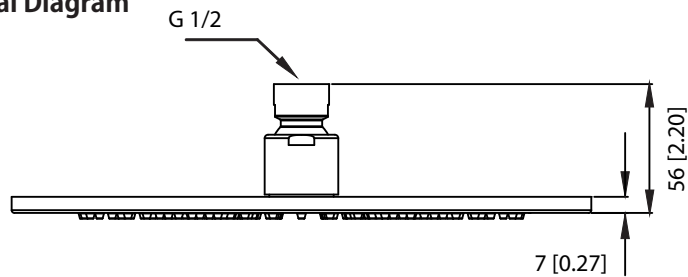
Legislation Compliance



ZeroDrip Technology

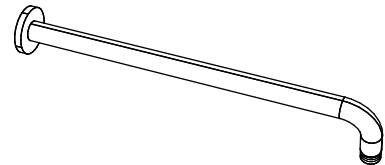


**Technical Diagram**



**MATCHING SHOWER ARMS:**

- 1) HS1012SA (16" Wall Mount Shower Arm)



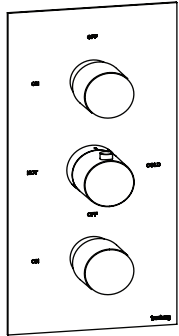
- 2) 100.6CSA (6" Ceiling Mount Shower Arm)





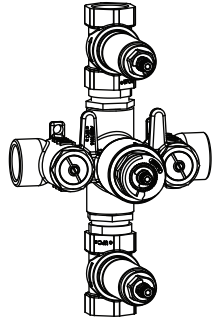
### 100.4401 | 3/4" Thermostatic Valve With 2 Independent Volume Controls

**SPECIFICATIONS:**



Trim  
[ 100.4401T\*\* ]

+



Valve  
[ TVH.4401 ]

- Turn middle knob to control temperature.
- Turn top knob to control water flow from top output.
- Turn bottom knob to control water flow from bottom output.
- Thermostatic Valve Flow Rate - 13.0 GPM @ 60 PSI
- Both outputs can be activated at once.
- Extension Available - TVH.4401E\*\*

Belgian Mirror Finish



Legislation Compliance

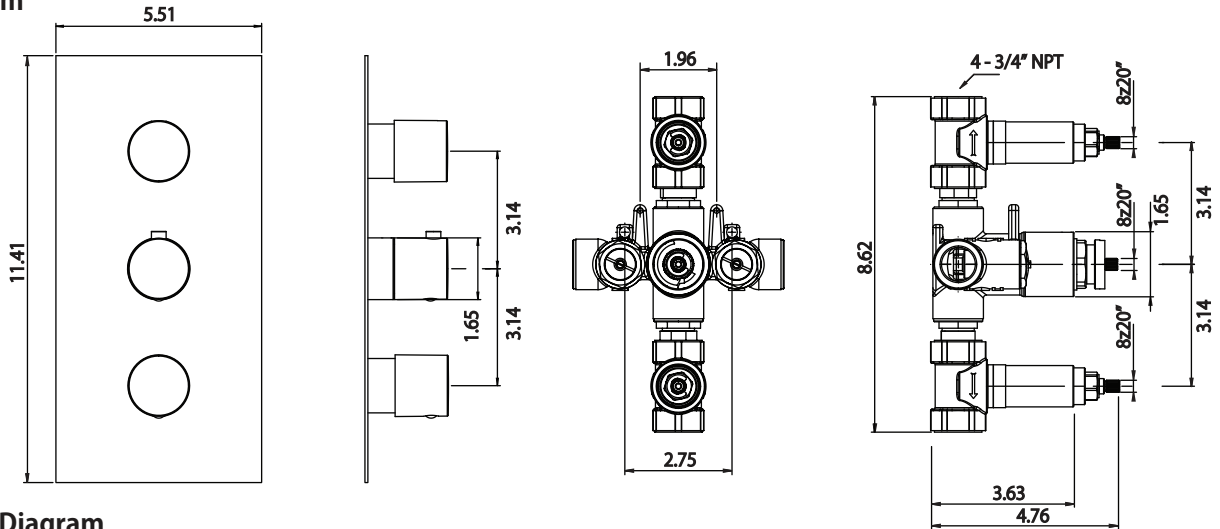


ZeroDrip Technology

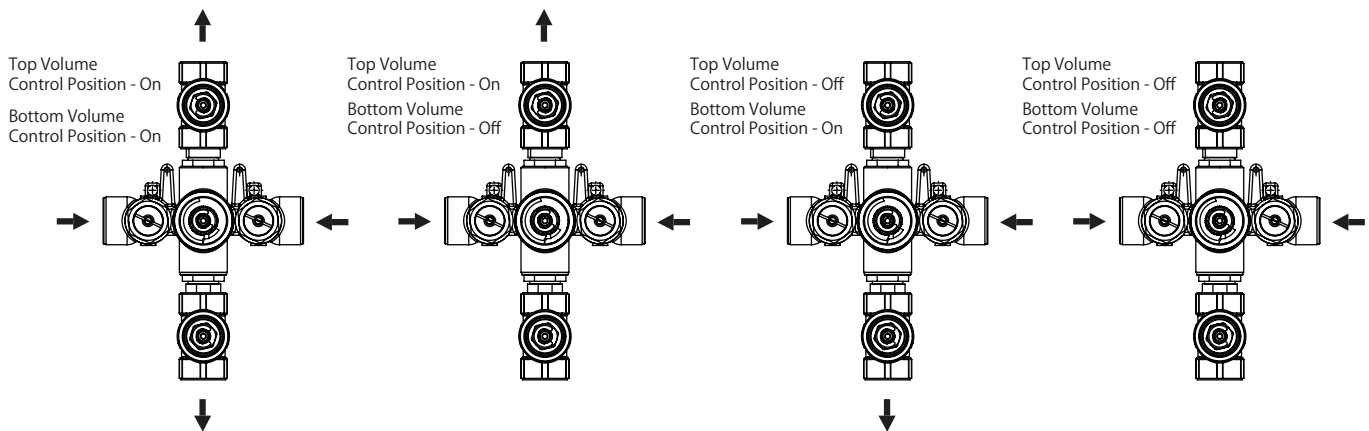


See Spec Sheet For  
TVH.4401 For Detailed  
Information On Valve.

**Technical Diagram**



**Water Diversion Diagram**



TVH.4401 | 3/4" Thermostatic Valve With 2 Independent Volume Controls Page 1 of 2



**SPECIFICATIONS:**

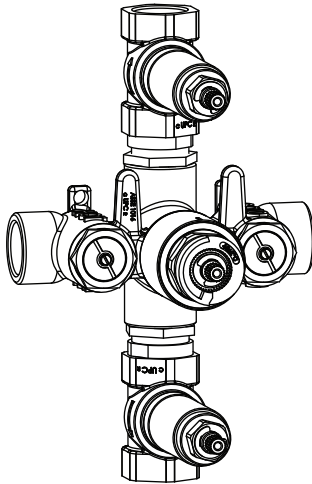
- Turn middle knob to control temperature.
- Turn top knob to control water flow from top output.
- Turn bottom to control water flow from bottom output.
- Thermostatic Valve Flow Rate - 13.0 GPM @ 60 PSI

**STANDARDS:**

- ASME A112.18.1 / CSA B125.1

**WARRANTY:**

- Limited lifetime warranty to the original consumer purchaser against finish and workmanship



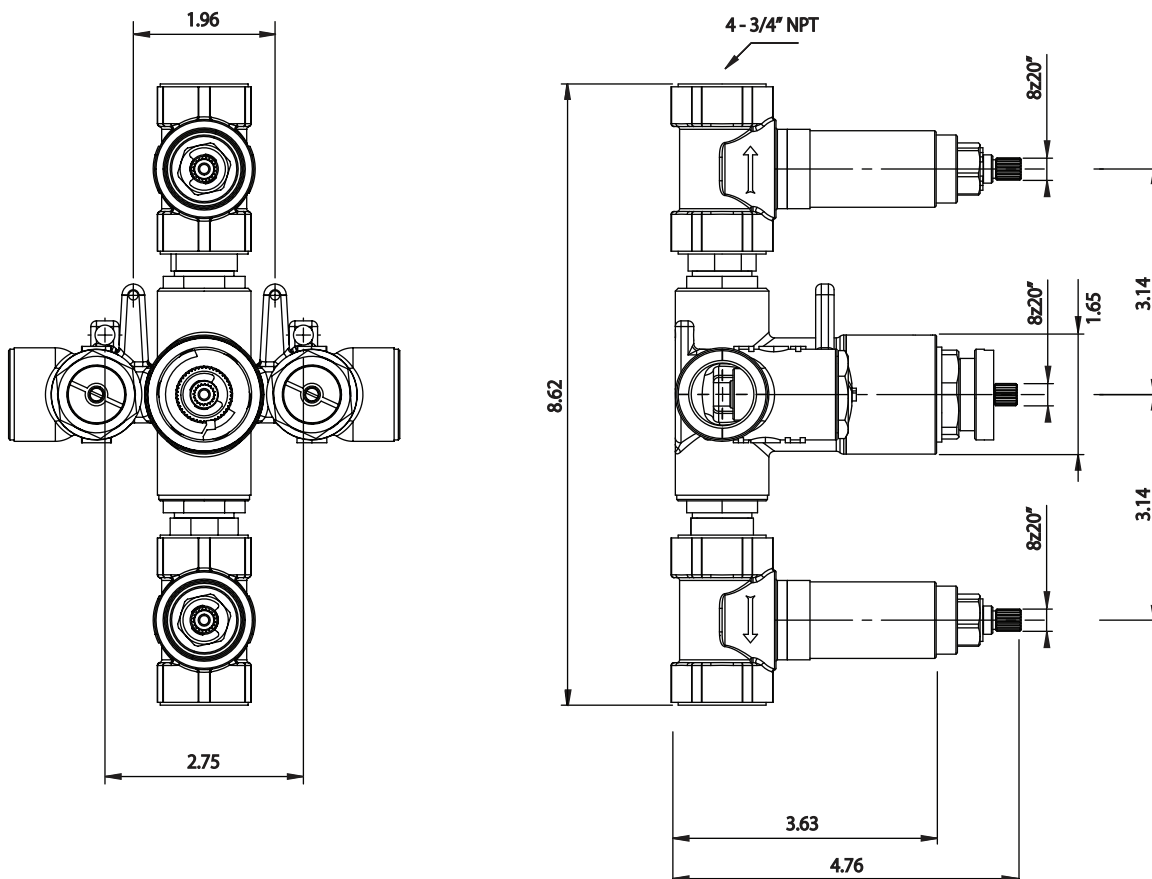
Legislation Compliance



ZeroDrip Technology



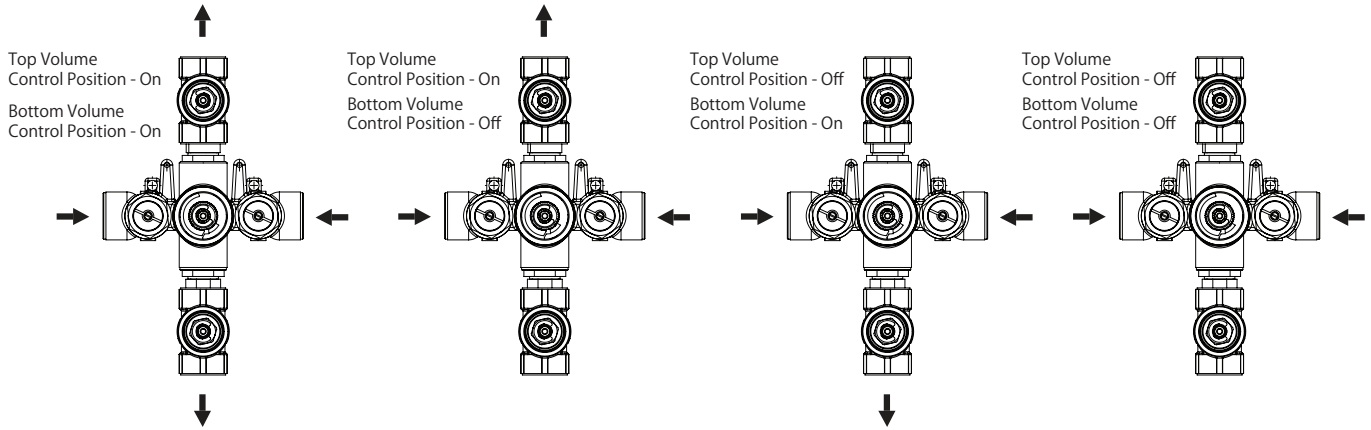
**Technical Diagram**



TVH.4401 | 3/4" Thermostatic Valve With 2 Independent Volume Controls Page 2 of 2



Water Flow Diagram



## HS1004H | Solid Brass Hand Shower

### SPECIFICATIONS:

- Solid Brass Construction
- 1.8 GPM Flow Rate
- With back flow prevention check valve



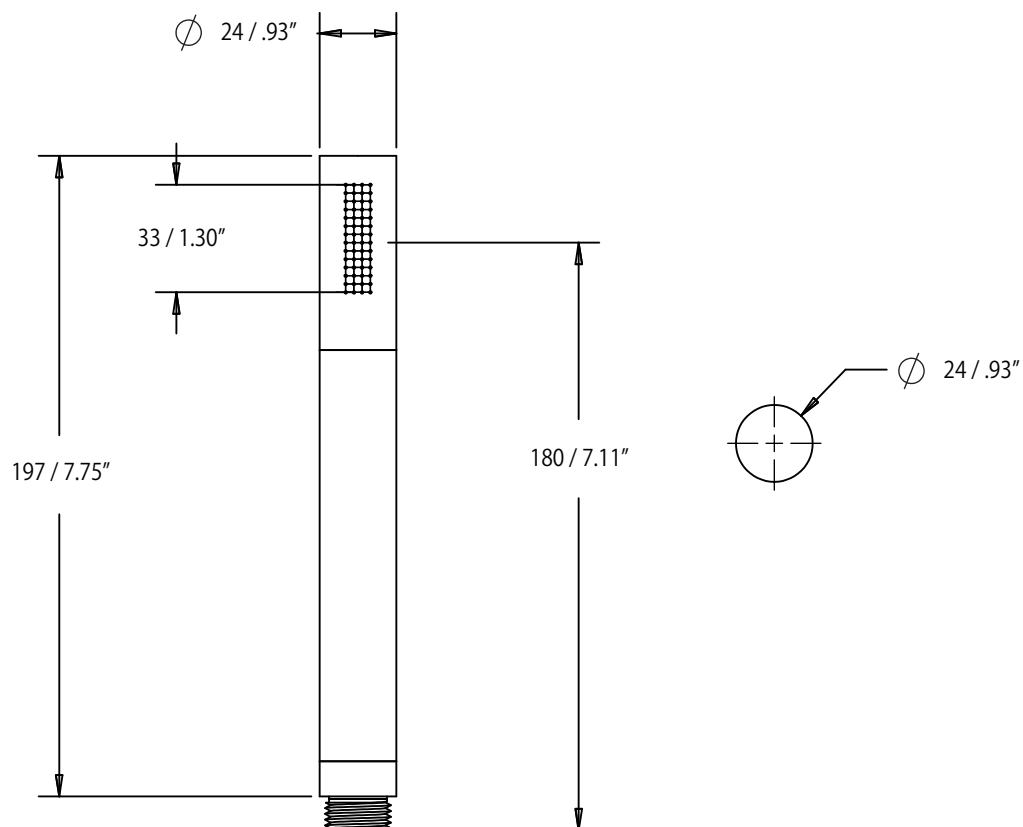
Legislation Compliance



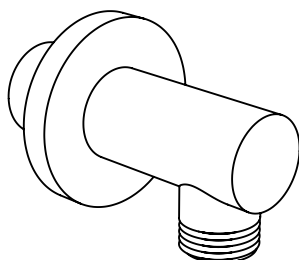
ZeroDrip Technology



### Technical Diagram



100.5502 | Wall Elbow



**SPECIFICATIONS:**

- Solid Brass construction
- 1/2" female connection with adjustment
- Includes check valve with back-flow prevention

**FAST SHIP FINISHES :**

- Chrome - 100.5505CP / Brushed Nickel - 100.5505BN

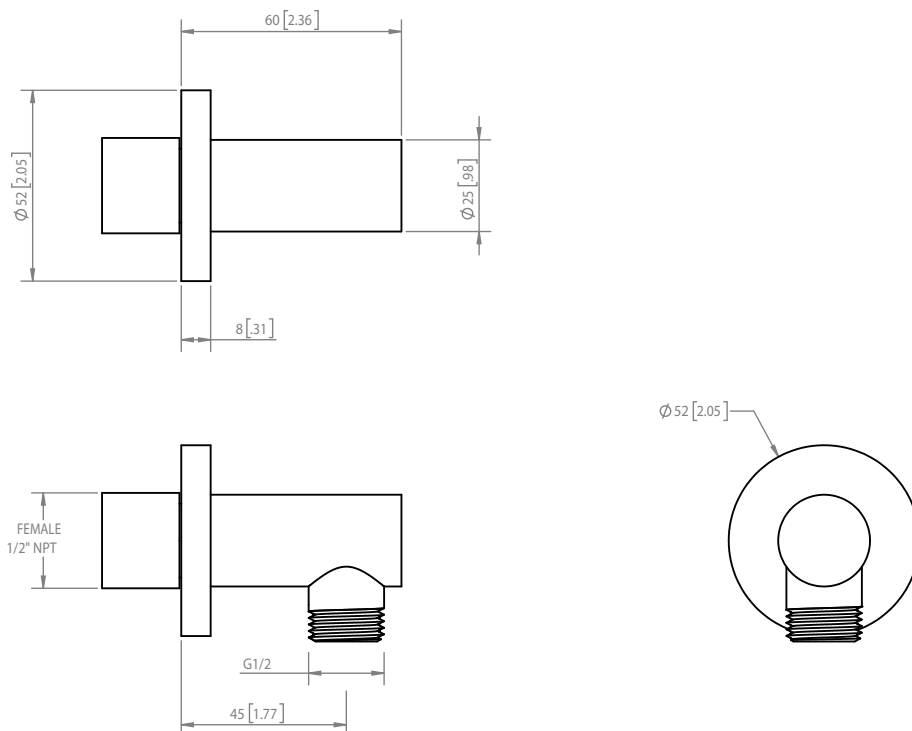
Legislation Compliance



ZeroDrip Technology



**Technical Diagram**





SP.150EM | Easy Maneuver Hose

SPECIFICATIONS:

- Stainless steel construction
- G-1/2" connection
- 1.5m length



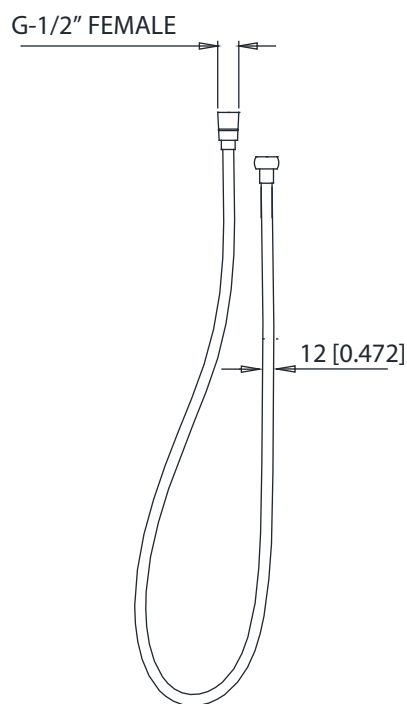
Legislation Compliance



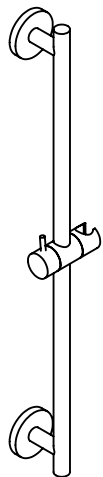
ZeroDrip Technology



Technical Diagram



100.601001A | Slide Bar



SPECIFICATIONS:

- Easy front of wall installation

FAST SHIP FINISHES :

- Chrome - 100.601003ACP / Brushed Nickel - 100.601003ABN

Legislation Compliance



ZeroDrip Technology



Technical Diagram

