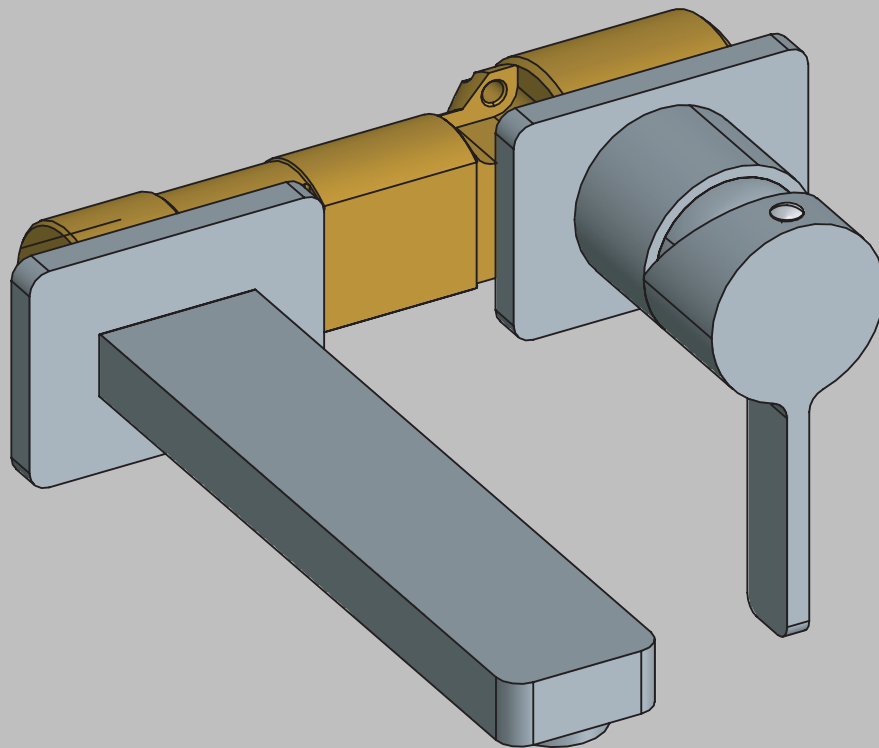




# Installation Manual

## 260.1800

### Wall Mount Lavatory Faucet - Single Lever



#### **BEFORE YOU BEGIN**

- You must observe all local plumbing laws and codes.
- Do not install this valve if it does not meet local plumbing codes.
- Shut off the main water supply.

## TABLE OF CONTENTS

• Operating Specifications . . . . .	1
• Valve Installation And Tolerance	
• Cut-Out Dimensions . . . . .	1
• <b>Rough In Specification.</b> . . . . .	2
• Connecting The Supply & Output Lines. . . . .	3
• Replacing Cartridge . . . . .	4
• Flushing The Valve . . . . .	4
• Installing The Trim . . . . .	5
• Cartridge Maintenance . . . . .	7

## NOTICE TO HOMEOWNER

- We recommend that this product is installed by a qualified professional plumber.
- Please check this product immediately to ensure that it has not been damaged and is complete. Before installation, please make sure this product is the correct model and you have all the parts required for installation and use.
- Please flush the water system to ensure that no metal swarf, solder, and other impurities can enter the product.
- Turn off water supply before commencing work.
- Please read these instructions carefully and retain for future reference.

## OPERATING SPECIFICATIONS

### WATER TEMPERATURE



This product is to be used with water at a temperature range of 40°F - 120°F ONLY!

### WATER PRESSURE



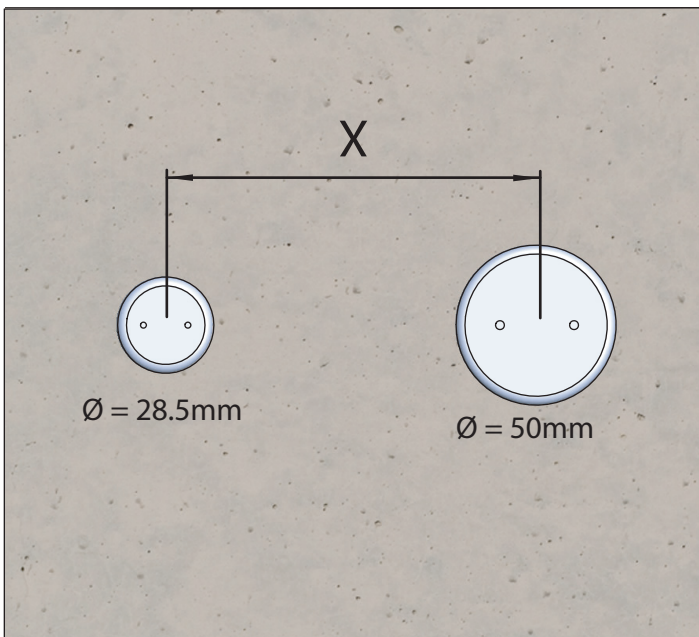
This product is to be used with a water pressure range of 15 PSI to 80 PSI ONLY

If water pressure is greater than 80 PSI install a pressure reducing valve (PRV)

This valve meets or exceeds ANSI A112.18.1 and ASSE 1016

This valve is certified by IAPMO

## CUT OUT DIMENSIONS



### Wall Cut Out Dimensions:

Left Hole  $\text{Ø} = 1.12'' [28.5 \text{ mm}]$

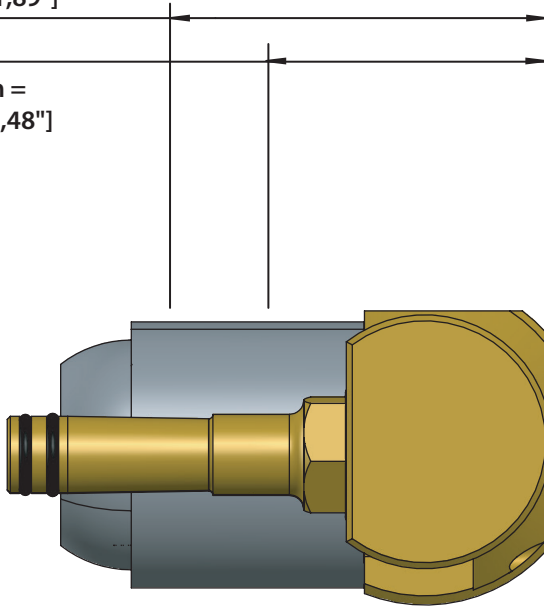
Right Hole  $\text{Ø} = 1.96'' [50.0 \text{ mm}]$

Distance Between Holes X -  $4.92'' [125\text{mm}]$

**ROUGH IN SPECIFICATION**

Maximum =  
48 mm [1,89"]

Minimum =  
63 mm [2,48"]

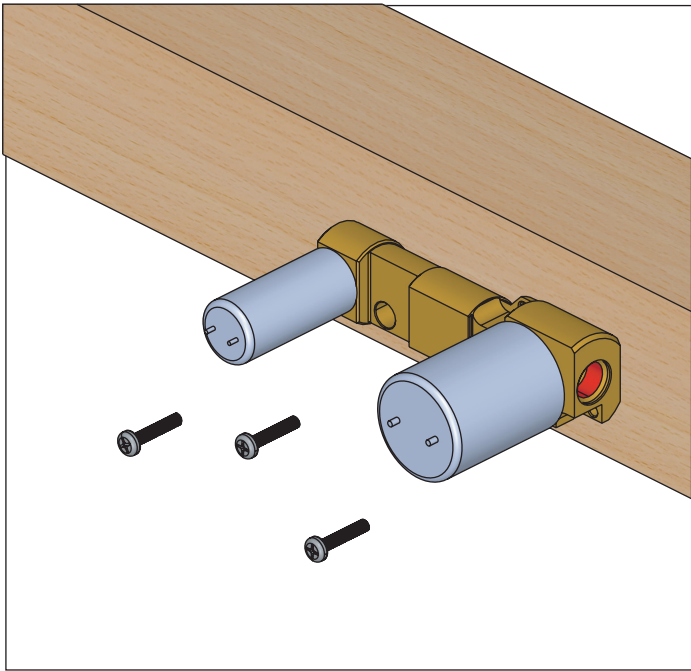


The distance between back of the valve to the finished tile surface should be between 1.51" and 2.42" inches.

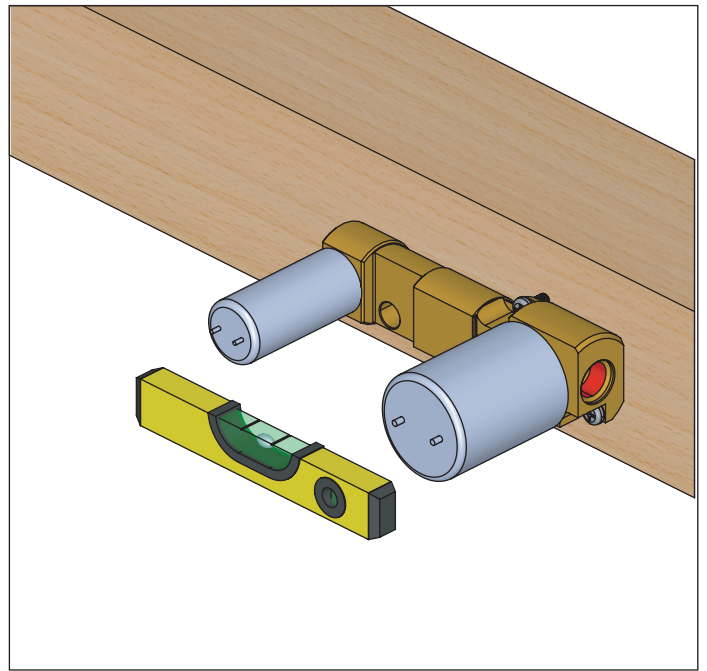
Finished tile should fall between Min & Max.

If valve is installed too deep into the wall, extensions are available.

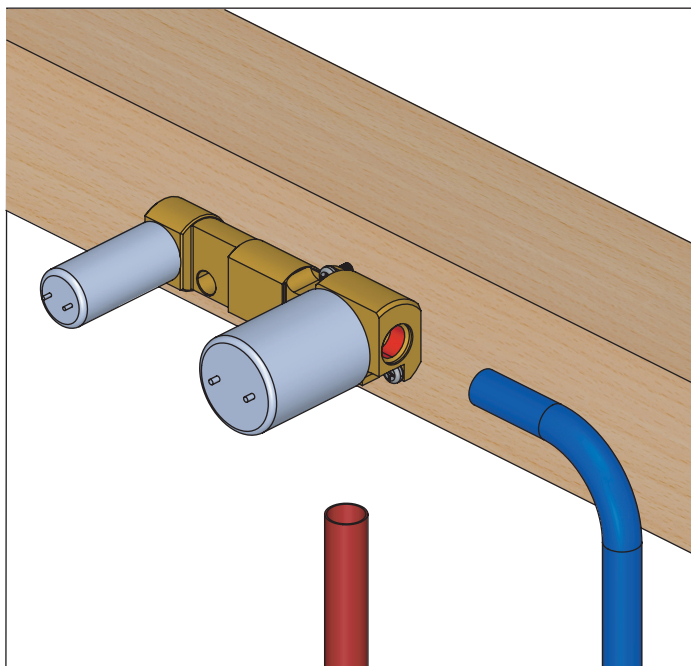
**CONNECTING THE SUPPLY & OUTPUT LINES**



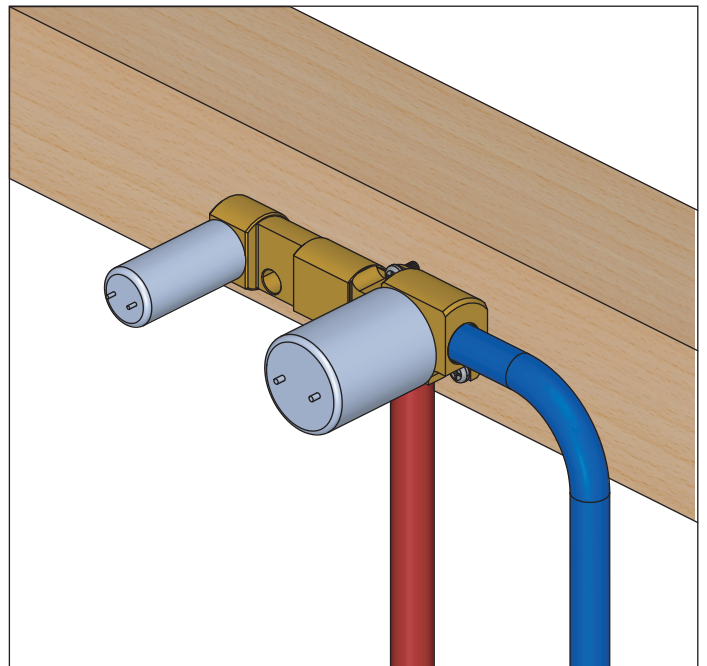
Fix Valve on wooden plank



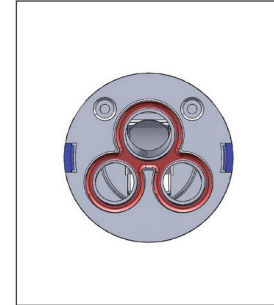
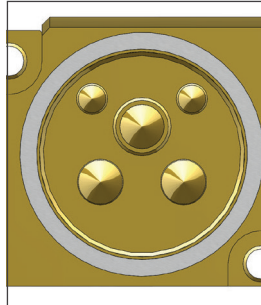
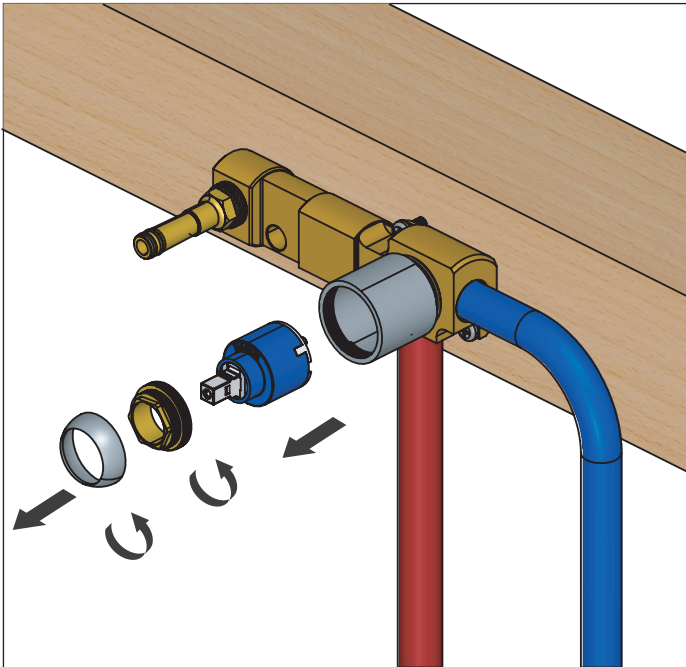
Level Valve



Attach Hot/Cold Lines



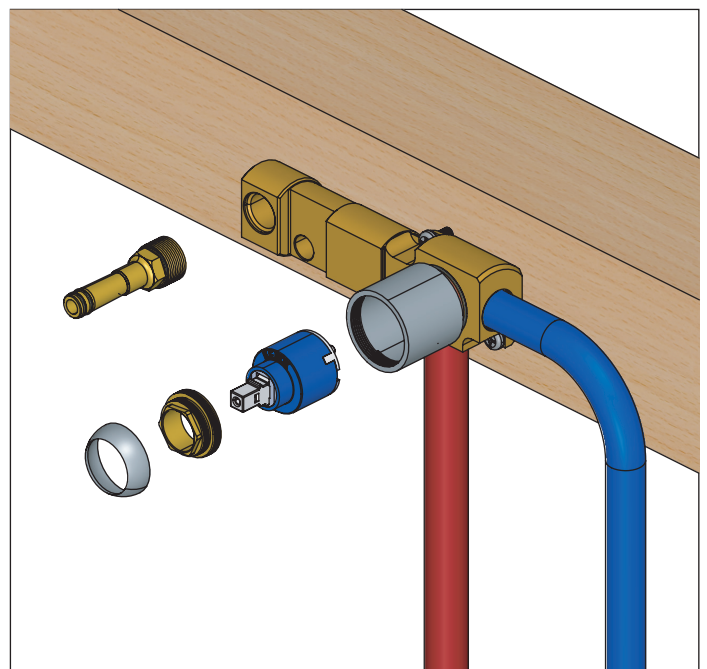
## REPLACING THE CARTRIDGE



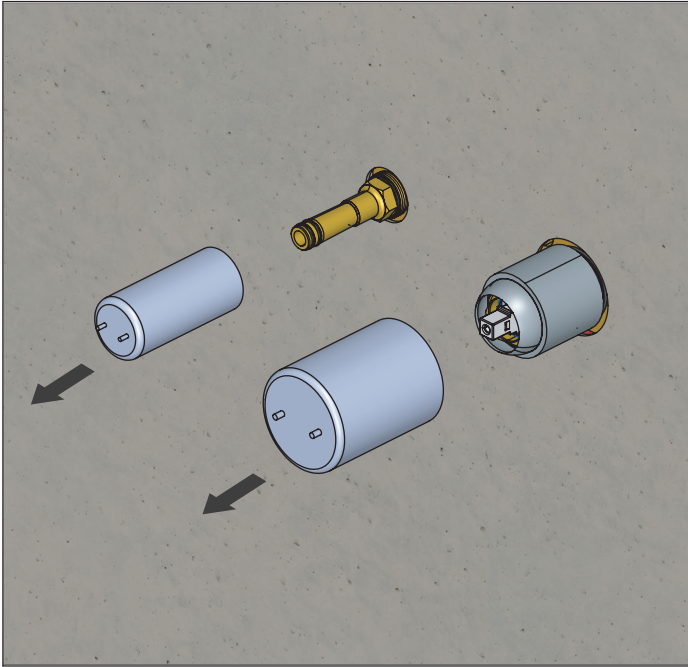
## FLUSHING THE VALVE

In order to clear dirt in the lines - you must flush the valve before the wall is closed and water is turned on for the first time.

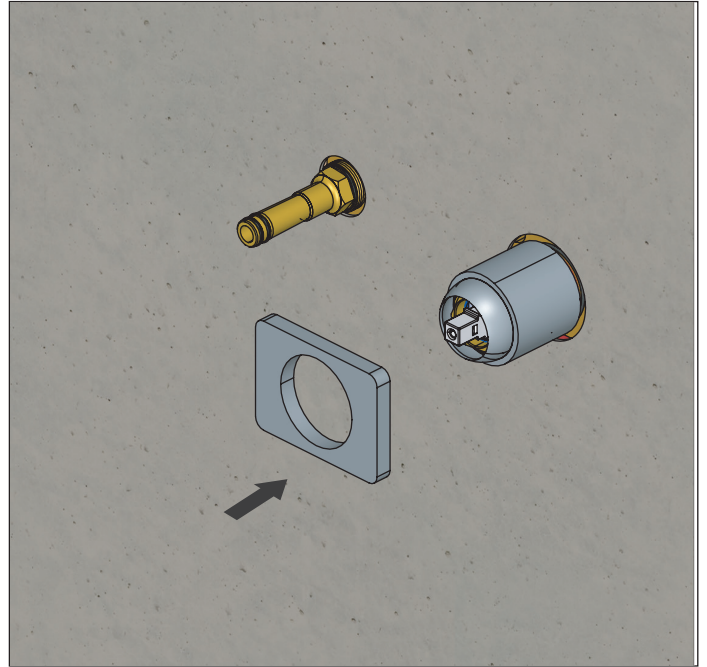
- 1) Remove the cartridge
- 2) Remove the output connector
- 3) Turn on water supply and let water flow removing any dirt in the lines.



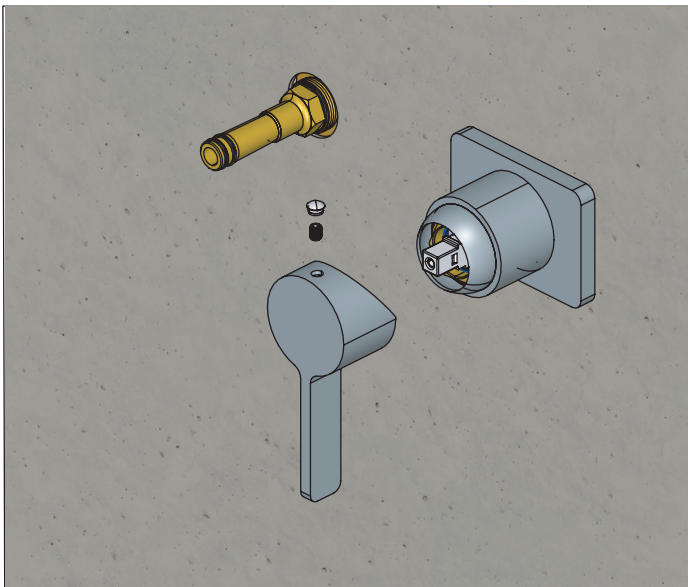
**INSTALLING THE TRIM - SIZE AND SHAPE MAY VARY - ILLUSTRATION ONLY**



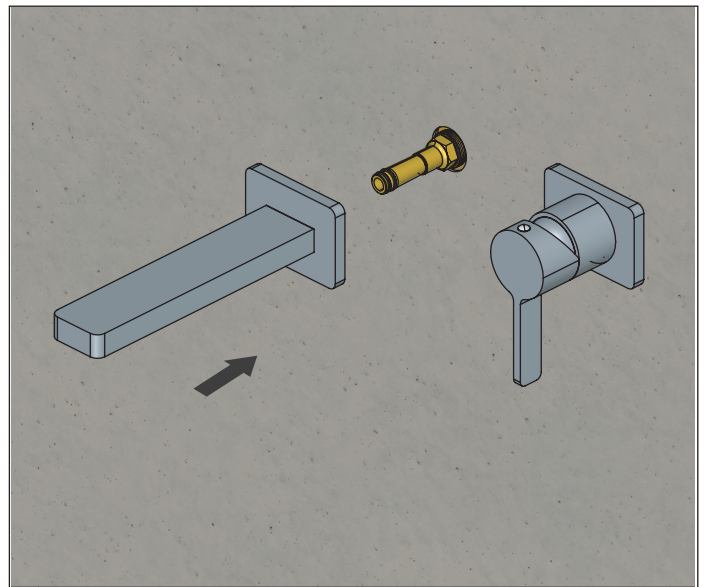
Remove mud guards



Insert Cartridge Flange

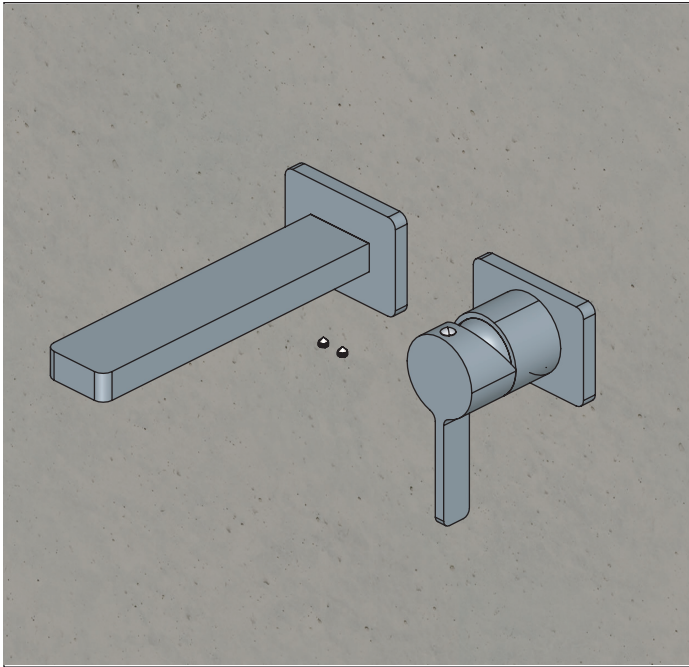


Insert handle and tighten hex screw. Insert cover button

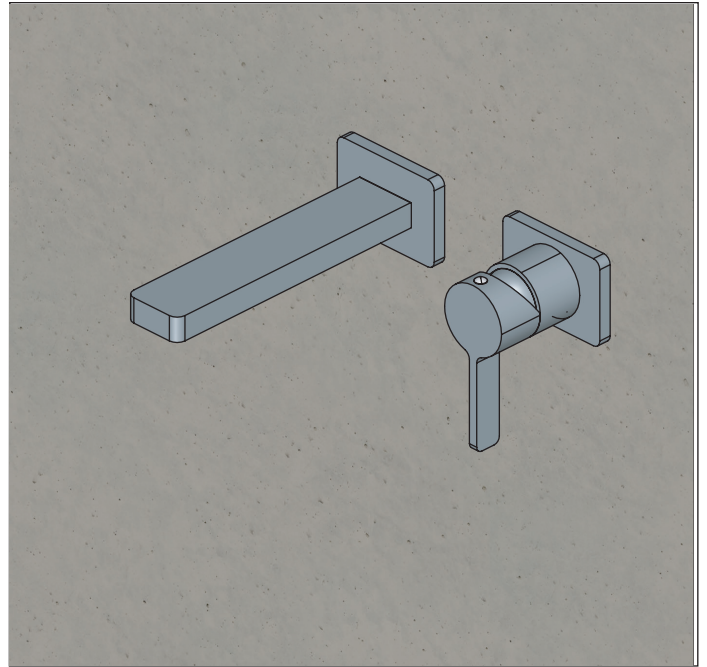


Insert Spout

**INSTALLING THE TRIM - SIZE AND SHAPE MAY VARY - ILLUSTRATION ONLY**



Tighten hex screws under spout



Fully installed trim



**CARTRIDGE CLEANING & MAINTENANCE**

