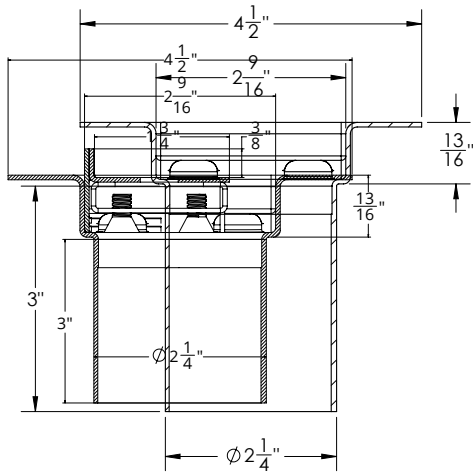


CST 65 Specifications

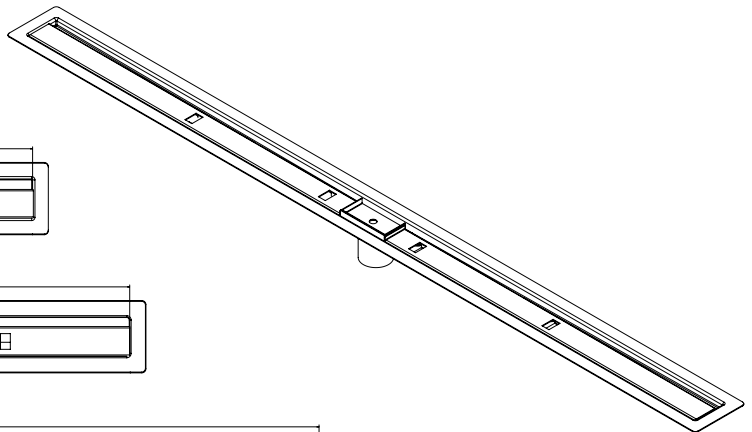
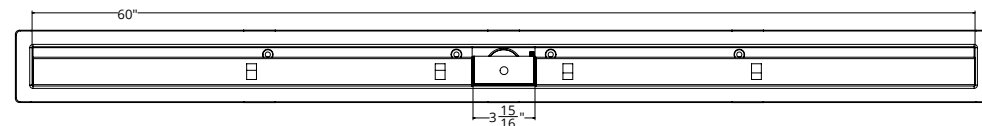
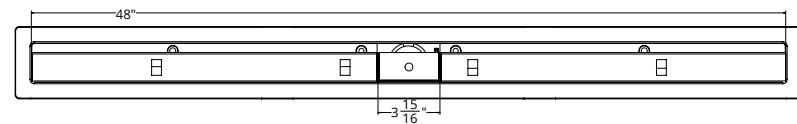
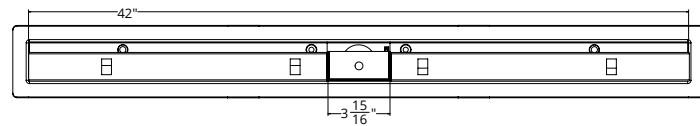
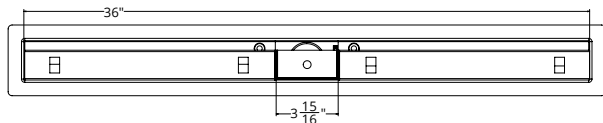
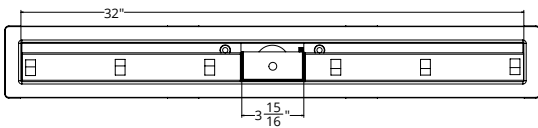
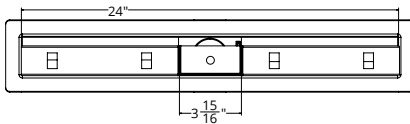


CST 65:

- Slot drain channel for FF series
- Fixed Length NOT Site Sizable™
- Includes removable Tile Clean out Box
- Compatible with liquid / fabric waterproofing membranes
- 2" No-hub outlet connection via rubber coupling (not included with channel)

Models (overall dimensions):

- CST 6524: 26 1/8" L x 4 1/2" W x 4" H
- CST 6532: 34 1/8" L x 4 1/2" W x 4" H
- CST 6536: 38 1/8" L x 4 1/2" W x 4" H
- CST 6542: 44 1/8" L x 4 1/2" W x 4" H
- CST 6548: 50 1/8" L x 4 1/2" W x 4" H



Infinity Drain
 145 Dixon Avenue
 Amityville, NY 11701
 Phone: 516.767.6786
 Fax: 516.740.3066
 www.infinitydrain.com



NOTE: Installer must verify all rough-in dimensions prior to installation and consult local and national codes. Conformity and compliance to local and national codes are the responsibility of the installer.