

# KIRA 7232

DESIGNER COLLECTION

# H | S

**PVC SYSTEMS INCLUDE:**

- 6 Fully directional adjustable PVC jets
- Anti-vortex safety suction
- Color matched system trim
- HydroOzone ozone sanitation system
- Rigid PVC piping
- Self draining pump and system
- Soft Touch electronic on/off control with 30-minute integral times
- 2.25 HP single speed pump
- Cable waste and overflow
- Whirlpool system requires 20 Amp - 115V Dedicated GFCI



**OPTIONS**

- \*Colonial Grab Bars
- \*Linear Integral Waste and Overflow
- \*Chromatherapy-LED Lighting System
- Universal Grab Bars
- Microban Antibacterial Protection
- Extra high density fiberglass
- Custom jet and pump locations
- Waterfall Fill Spout (recirculating option available)
- Plated Metallic finish
- Additional directional Jets / Swirling
- Jumbo Jets rotating and directional
- Micro Therapy Jet
- Integral Waste and Overflow (round)
- Electronic low water protection
- In-line heater
- Back Masseur
- Neck Masseur Pillow
- Hydro Fusion
- Hydro Coat
- Indulge
- Hydro Express quick ship
- Digital LCD temperature display
- Hydro Blanket

| OPTION             | ELECTRICAL REQUIREMENTS                        |
|--------------------|--|
| Whirlpool          | 1 20amp - 115V dedicated GFCI                  |
| Thermal Air        | 1 15amp - 115V dedicated GFCI                  |
| Combo              | 1 20amp - 115V & 1 15amp - 115V dedicated GFCI |
| Hydro Indulge      | 1 15amp - 115V dedicated GFCI                  |
| Inline Heater 1500 | 1 15amp - 115V dedicated GFCI                  |
| Inline Heater 600W | Shares circuit with Whirlpool pump             |
| Fusion 1500W       | 1 15amp - 115V dedicated GFCI                  |
| Fusion 600W        | 1 15amp - 115V dedicated GFCI                  |

**HYDRO SYSTEMS**  
Family Owned And Operated Since 1978

29132 Avenue Paine. Valencia, CA, 91355  
661.775.0686 | hydrosystem.com

\* Indicates options that are shown (listed in order from top to bottom/ left to right)

# KIRA 7232

DESIGNER COLLECTION

# H | S

## As SHOWN:

Whirlpool option with standard jet location

## FEATURES SHOWN:

- Jets
- Overflow location

## AVAILABLE SYSTEMS:

- Soaking tub only
- Whirlpool
- Thermal Air
  - Approx 45 injectors
- Combo



## SIZE:

72.32.20

## WATER CAPACITY:

75 Gallons

## WEIGHT:

70 - 110 Pounds

## CUT OUT DIMENSIONS:

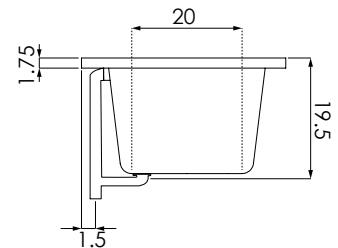
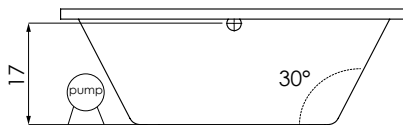
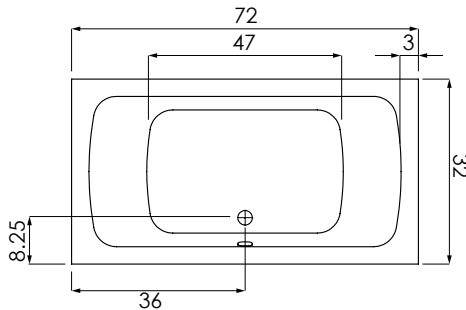
- (L)ength- 70"
- (W)idth- 30"
- (H)eight Finish- 18.75"

## ALCOVE 3-WALL DIMENSIONS:

- (L)ength- 72"
- (W)idth- 32"
- Ledger- 19.25"

## ACRYLIC TUB

- Acrylic models finished in 1/8" thick layer of deep lustrous acrylic
- Extra thick reinforced fiberglass
- Pre-wired pump on pump platform (standard pump location only)
- Integral E-Z level platform facilitates installation
- Tub must be set in a mortar base
- When adding linear option, p-trap is located below waste



## CODES AND COMPLIANCES

Massachusetts code File no: P1-0614-491



**HYDRO SYSTEMS**  
Family Owned And Operated Since 1978

29132 Avenue Paine. Valencia, CA, 91355  
661.775.0686 | hydrosystem.com