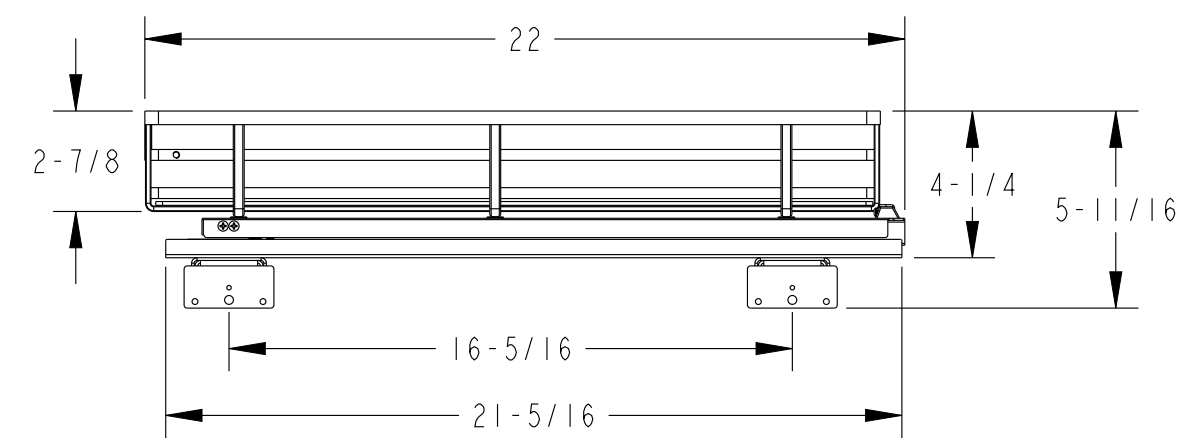
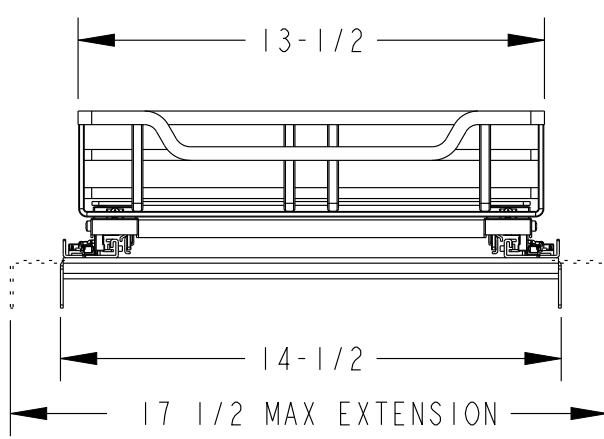
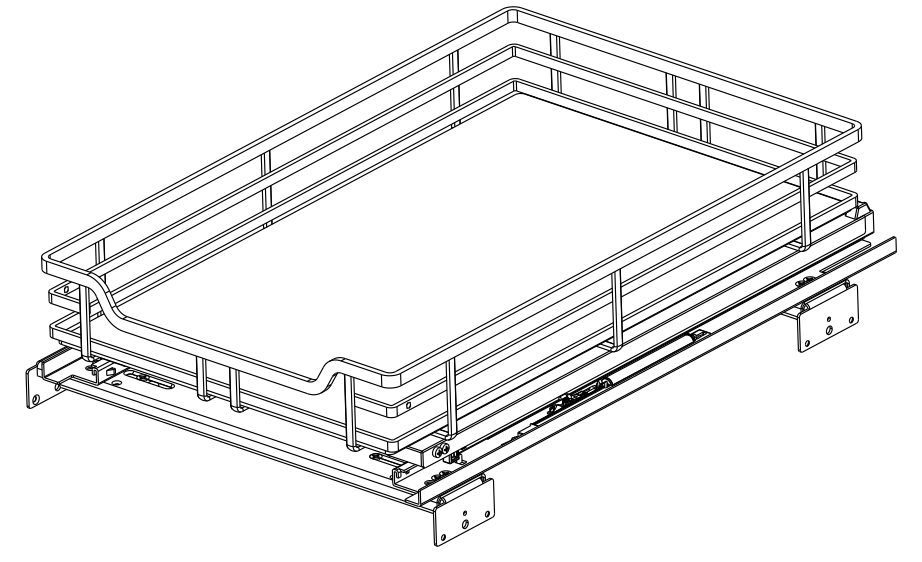


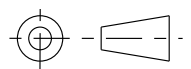
8 7 6 5 4 3 2 1

F  
E  
D  
C  
B  
A



FINISHED GOODS TABLE	
HR ITEM NUMBER	PRODUCT DESCRIPTION
SWS-WB153PC	STORAGE WITH STYLE BASKET PULLOUT, 15" POLISHED CHROME
SWS-WB153BN	STORAGE WITH STYLE BASKET PULLOUT, 15" BLACK NICKEL

**\*\* DRAFT \*\***

THIRD ANGLE PROJECTION		 <b>hardware resources</b>		
MATERIAL	FINISH			
N/A	SEE TABLE	DESCRIPTION		
DRAWN BY JOEL GOMEZ		DATE 07OCT2019		STORAGE WITH STYLE BASKET PULLOUT 15"
DESIGNED BY JOEL GOMEZ		DATE 04APR2018		DRAWING NUMBER SWS-WB153
APPROVED BY ALAN CHEN		DATE 15OCT2019		REV <b>A</b>
SIZE A3	SCALE 0.125	SHEET 1 / 1		

DOCUMENT STATUS Released

HARDWARE RESOURCES RESERVES THE RIGHT TO CHANGE SPECIFICATIONS WITHOUT NOTICE. IN CASE OF A DISCREPENCY, ACTUAL PART GEOMETRY SUPERSEDES THIS DOCUMENT.

THE INFORMATION CONTAINED WITHIN THIS DRAWING IS THE SOLE PROPERTY OF HARDWARE RESOURCES INC. ANY REPRODUCTION IN PART OR WHOLE WITHOUT WRITTEN PERMISSION OF HARDWARE RESOURCES INC. IS PROHIBITED.

8 7 6 5 4 3 2 1