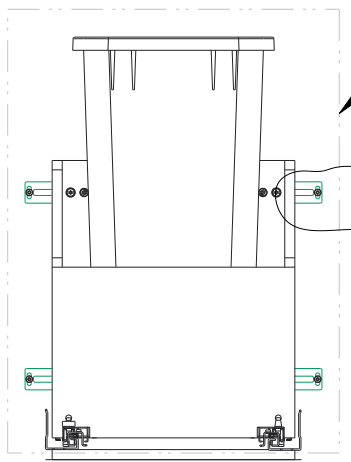


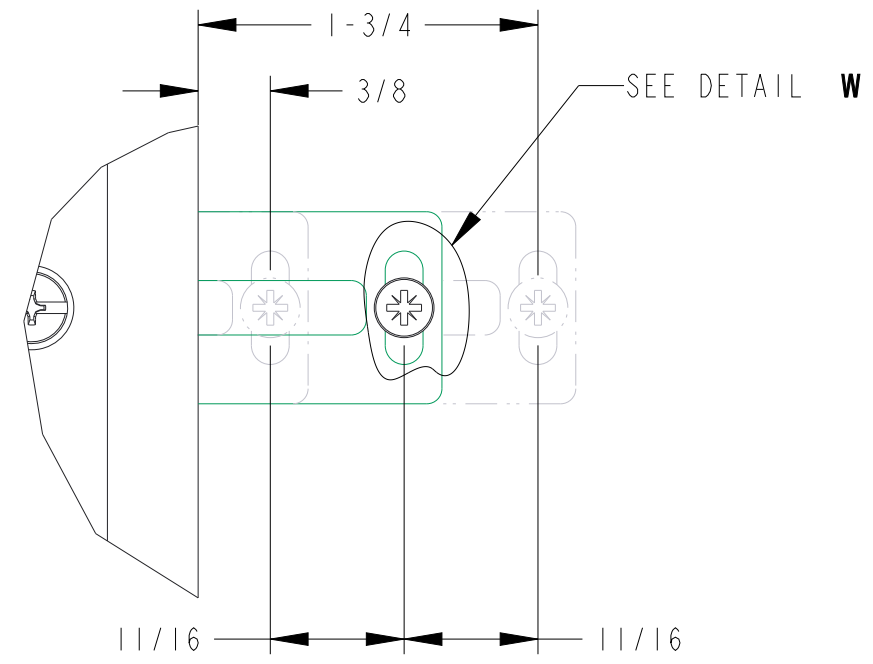
8 7 6 5 4 3 2 1

F
E
D
C
B
A

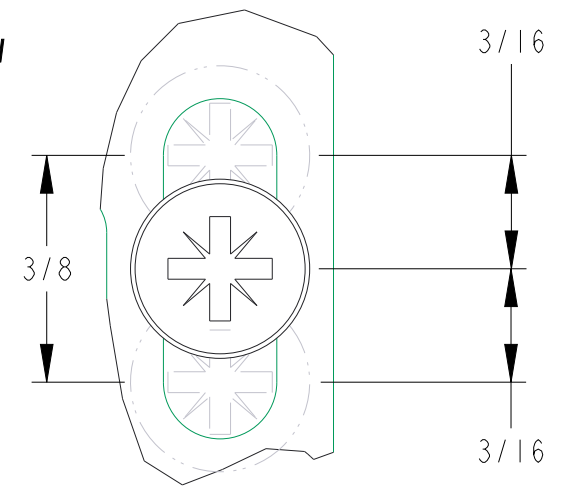


DOOR FRONT (NOT INCLUDED)
 $\pm 11/16$ HORIZONTAL ADJUSTMENT
 $\pm 3/16$ VERTICAL ADJUSTMENT
 WHEN INSTALLED PER INSTRUCTIONS

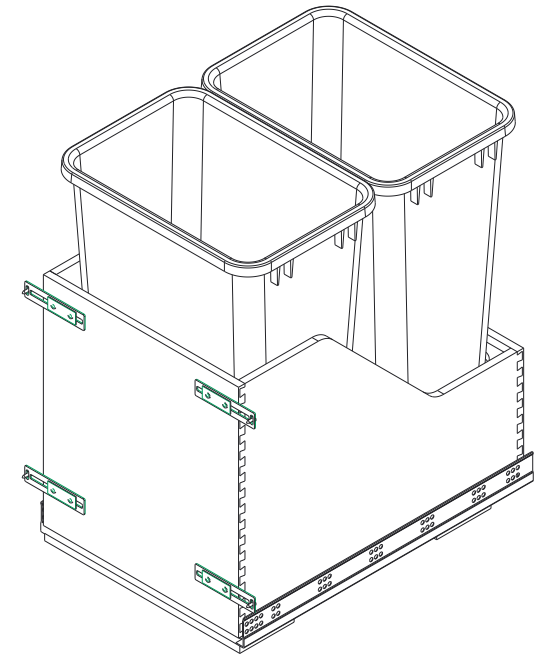
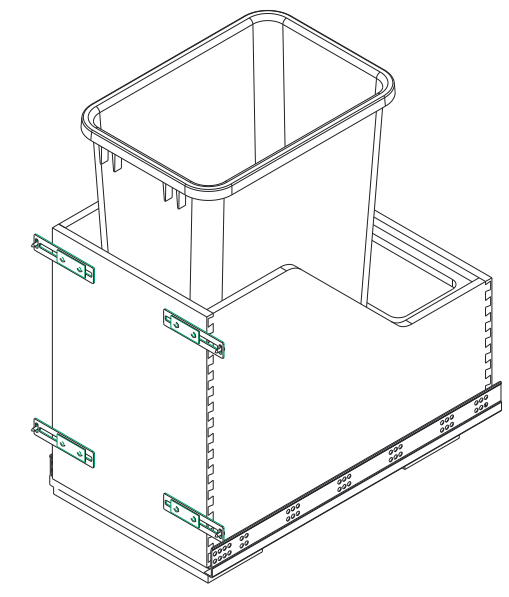
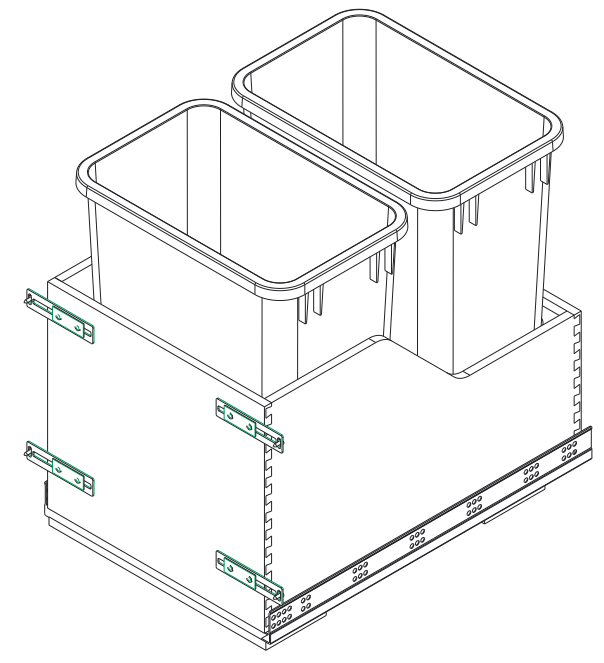
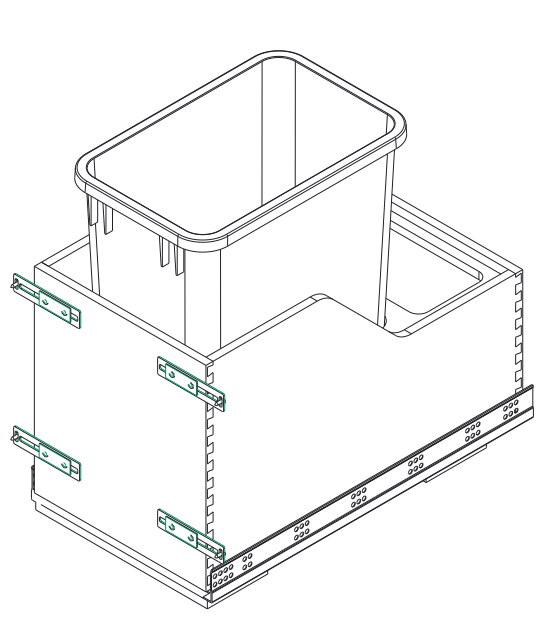
SEE DETAIL Y



DETAIL Y
 SCALE 1:1



DETAIL W
 SCALE 3:1



DOCUMENT STATUS	In Work
DIMENSIONS OR FEATURES WITH * ARE CRITICAL	
HARDWARE RESOURCES RESERVES THE RIGHT TO CHANGE SPECIFICATIONS WITHOUT NOTICE. IN CASE OF A DISCREPANCY, ACTUAL PART GEOMETRY SUPERSEDES THIS DOCUMENT.	
THE INFORMATION CONTAINED WITHIN THIS DRAWING IS THE SOLE PROPERTY OF HARDWARE RESOURCES INC. ANY REPRODUCTION IN PART OR WHOLE WITHOUT WRITTEN PERMISSION OF HARDWARE RESOURCES INC. IS PROHIBITED.	

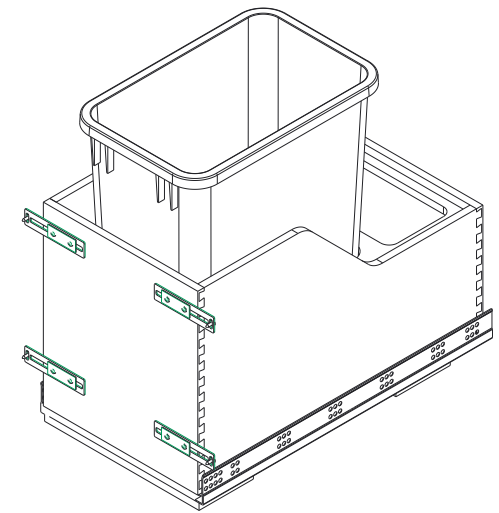
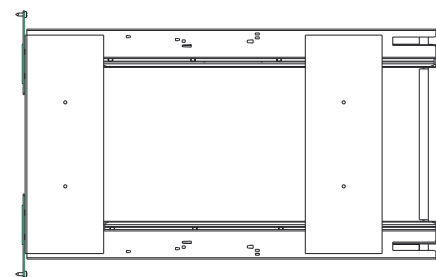
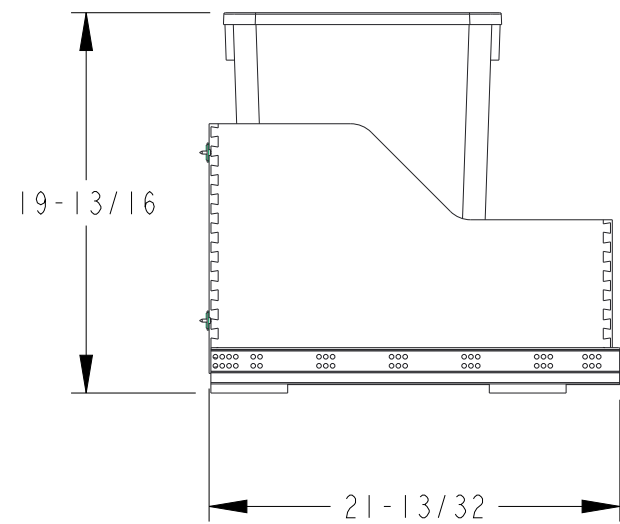
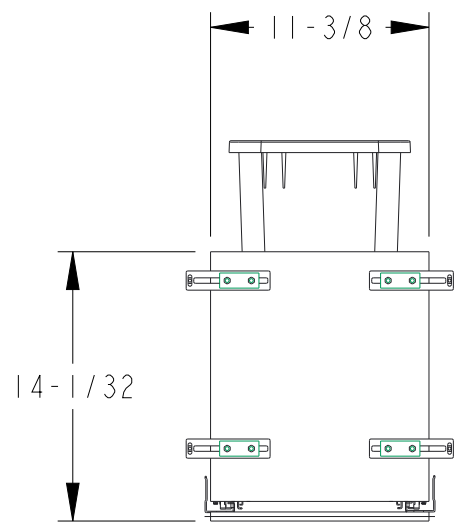
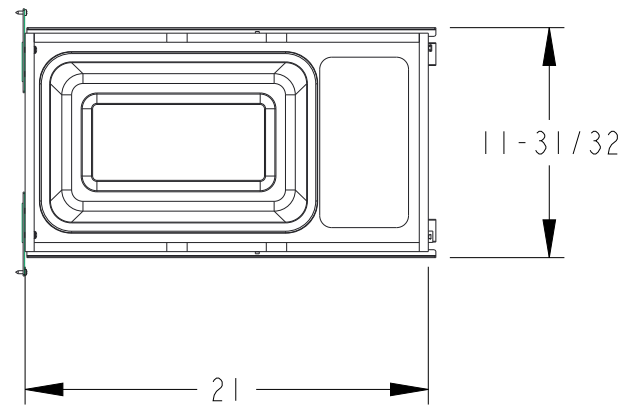
THIRD ANGLE PROJECTION 	
MATERIAL N/A	FINISH N/A
DRAWN BY J. CORLESS	DATE 18AUG16
DESIGNED BY SOURCED	DATE N/A
APPROVED BY D. MCGREGOR	DATE 16AUG16

hardware resources		
DESCRIPTION PREASSEMBLED PULLOUT WASTE CONTAINER WITH DOOR MOUNT BRACKET		
DRAWING NUMBER CDM-WBM		REV B
SIZE A3	SCALE 1:9	SHEET 1 / 5

8 7 6 5 4 3 2 1

8 7 6 5 4 3 2 1

F
E
D
C
B
A



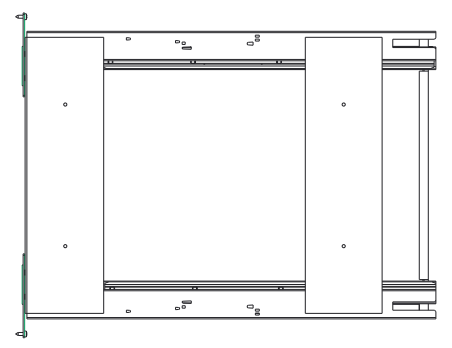
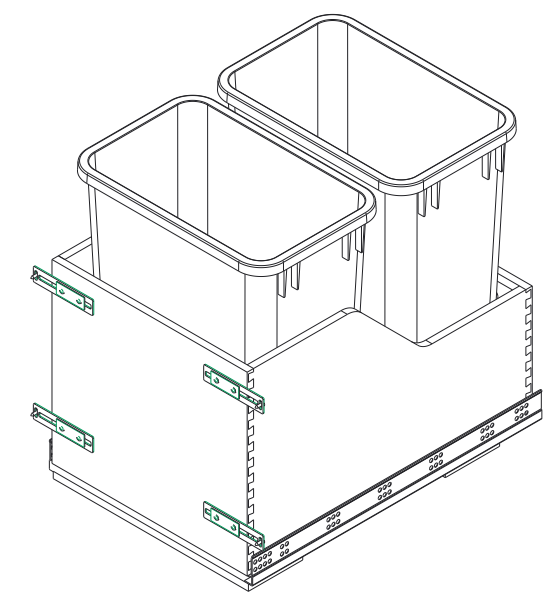
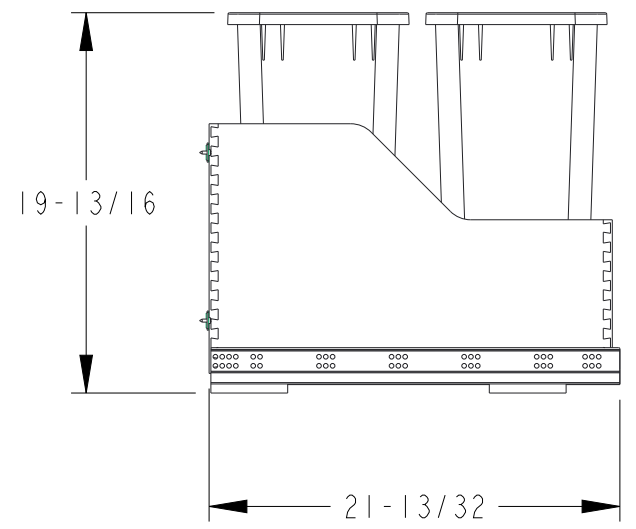
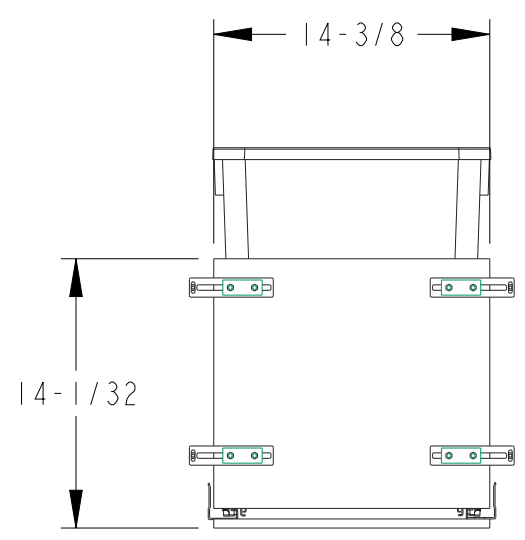
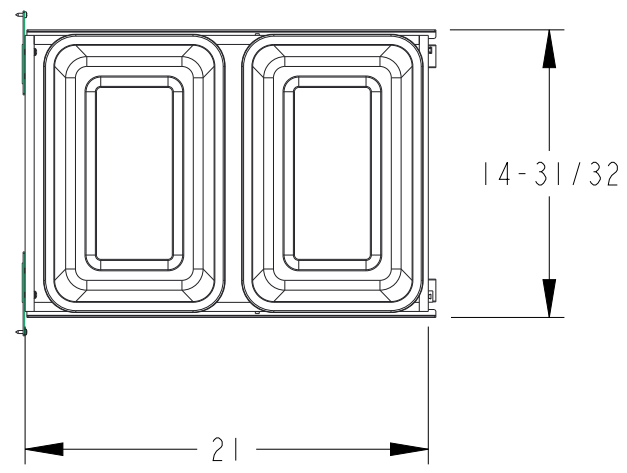
ITEM NUMBER	DESCRIPTION
CDM-WBMS35B	BLACK SINGLE 35QT
CDM-WBMS35WH	WHITE SINGLE 35QT
CDM-WBMS35G	GREY SINGLE 35QT

DRAWING NUMBER		REV
CDM-WBM		B
SIZE	SCALE	SHEET
A3	1:10	2 / 5
DOCUMENT STATUS		In Work

8 7 6 5 4 3 2 1

8 7 6 5 4 3 2 1

F E D C B A



ITEM NUMBER	DESCRIPTION
CDM-WBMD35B	BLACK DOUBLE 35QT
CDM-WBMD35WH	WHITE DOUBLE 35QT
CDM-WBMD35G	GREY DOUBLE 35QT

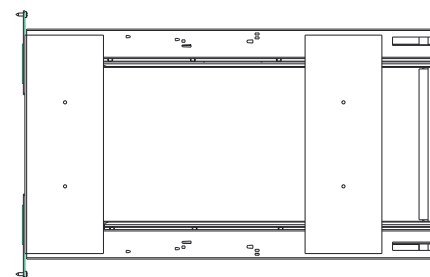
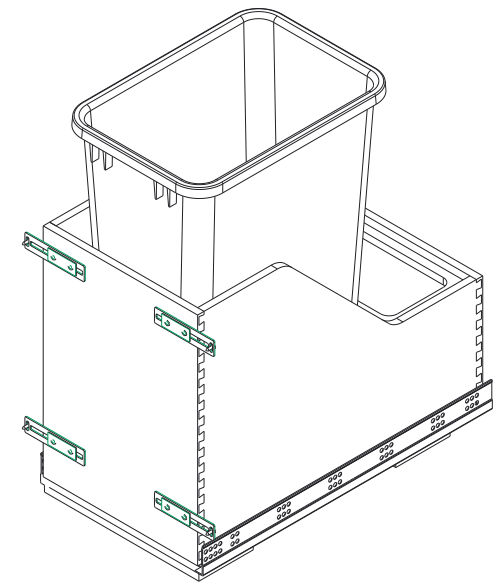
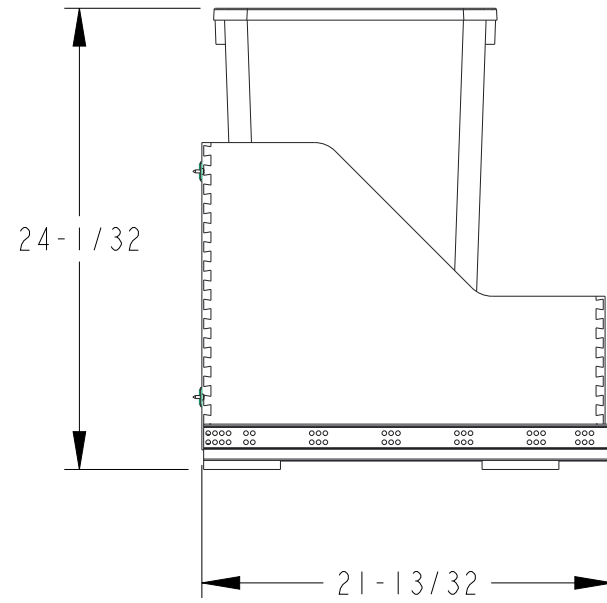
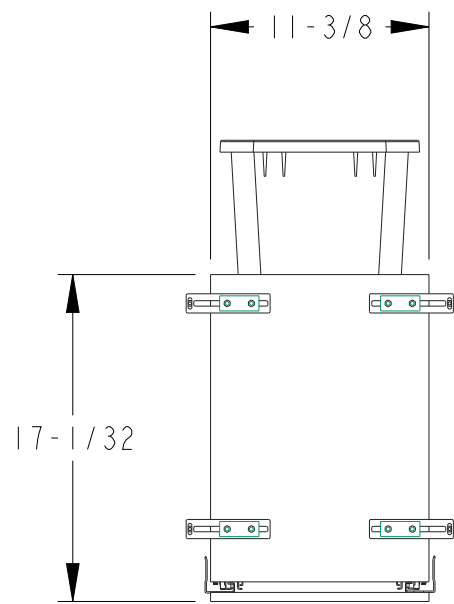
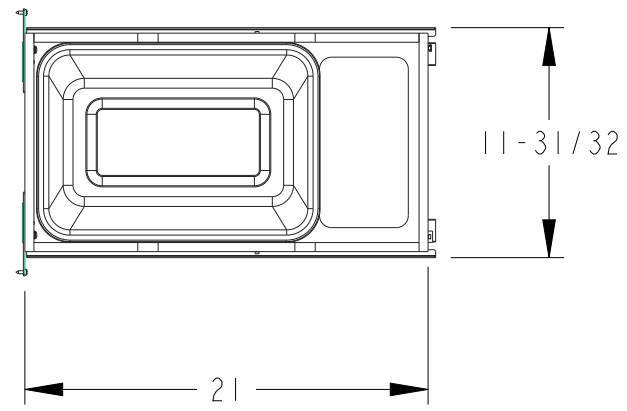
DRAWING NUMBER		REV
CDM-WBM		B
SIZE	SCALE	SHEET
A3	1:10	3 / 5
DOCUMENT STATUS		In Work

8 7 6 5 4 3 2 1

F E D C B A

8 7 6 5 4 3 2 1

F
E
D
C
B
A



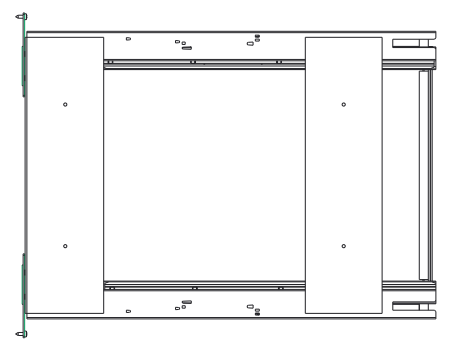
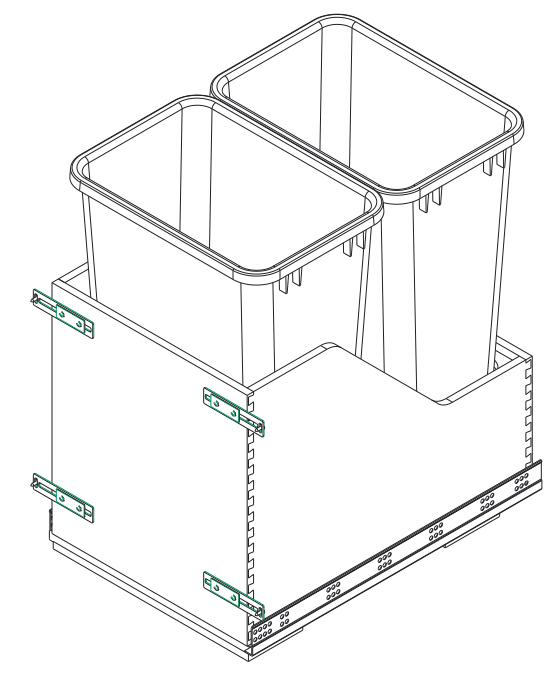
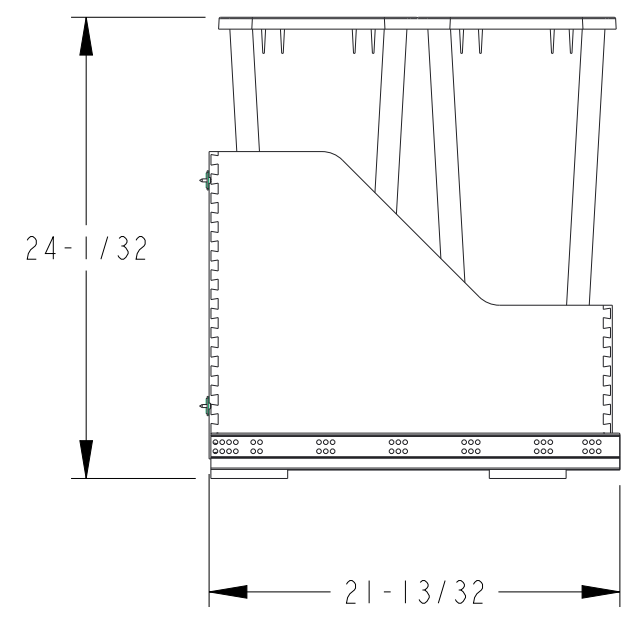
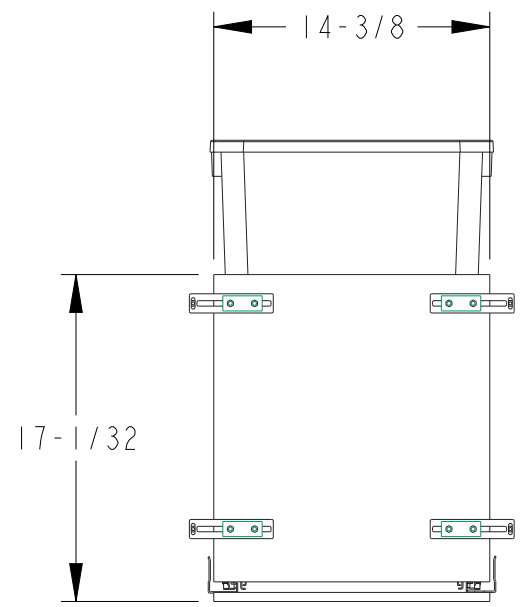
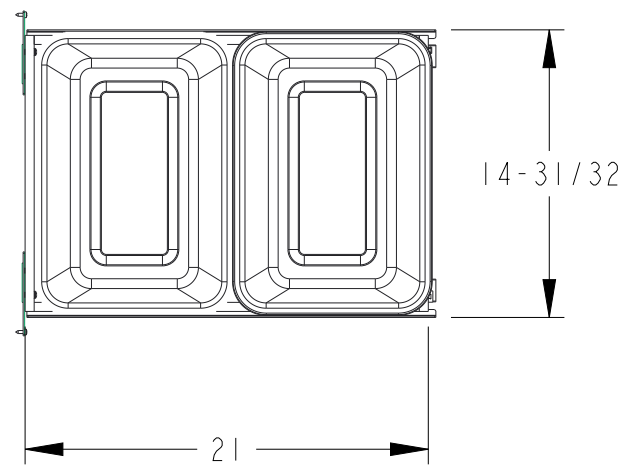
ITEM NUMBER	DESCRIPTION
CDM-WBMS50B	BLACK SINGLE 50QT
CDM-WBMS50WH	WHITE SINGLE 50QT
CDM-WBMS50G	GREY SINGLE 50QT

DRAWING NUMBER		REV
CDM-WBM		B
SIZE	SCALE	SHEET
A3	1:10	4 / 5
DOCUMENT STATUS		In Work

8 7 6 5 4 3 2 1

8 7 6 5 4 3 2 1

F
E
D
C
B
A



ITEM NUMBER	DESCRIPTION
CDM-WBMD50B	BLACK DOUBLE 50QT
CDM-WBMD50WH	WHITE DOUBLE 50QT
CDM-WBMD50G	GREY DOUBLE 50QT

DRAWING NUMBER		REV
CDM-WBM		B
SIZE	SCALE	SHEET
A3	1:10	5 / 5
DOCUMENT STATUS		In Work

8 7 6 5 4 3 2 1