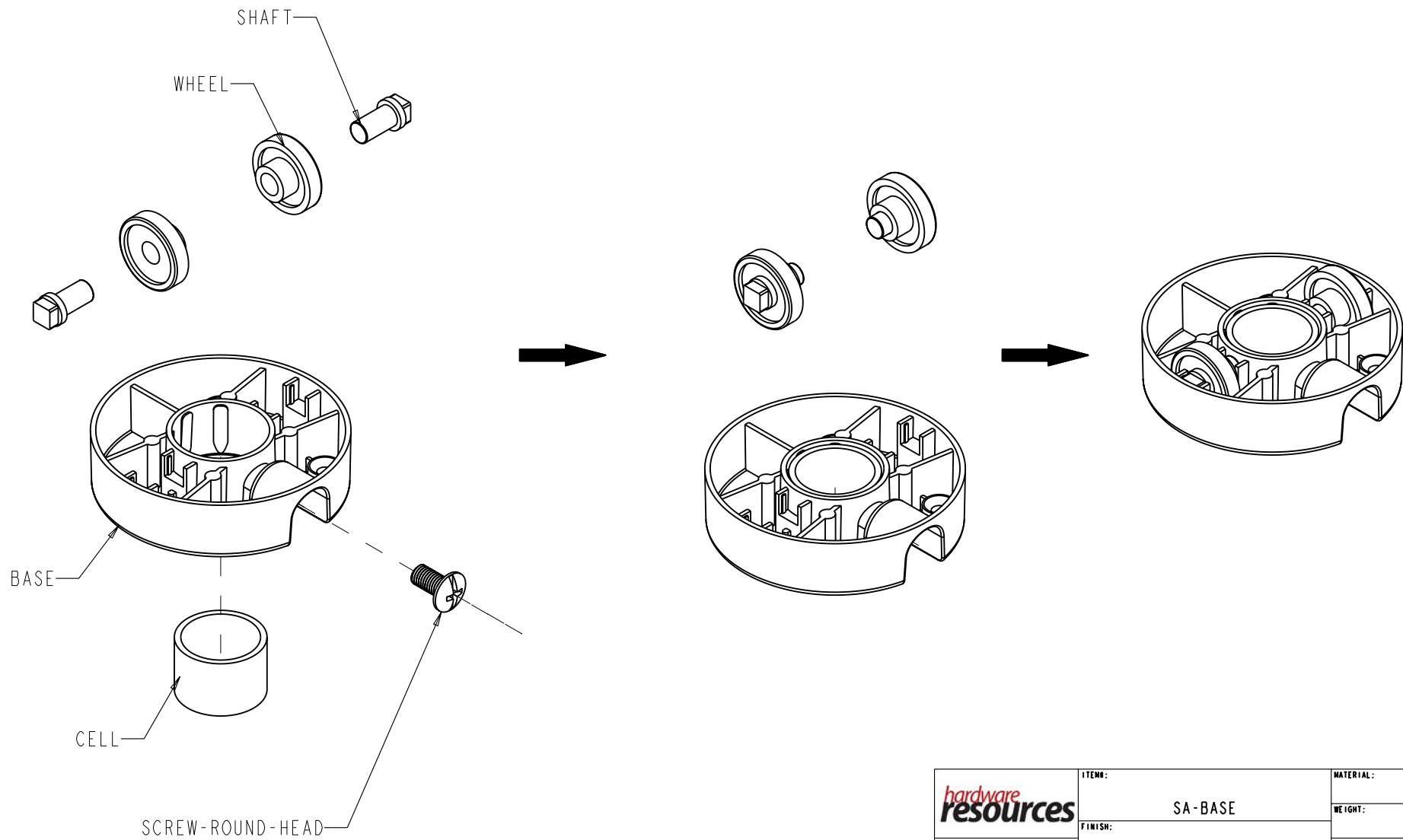


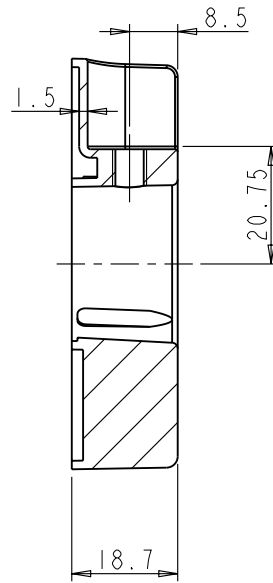
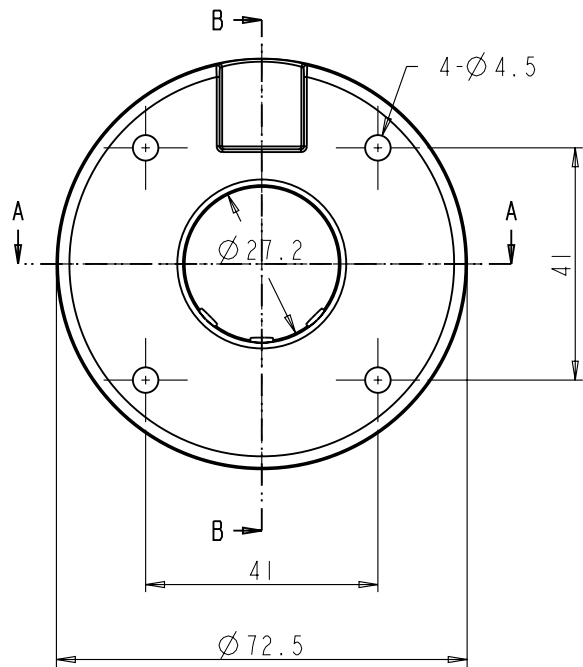
BILLS OF MATERIAL:

NO.	ITEM#	MATERIAL	QTY	UNIT WEIGHT	TOTLE	TYPE	ASSY LEVEL
9	SA-INNER-PIPE	ASSEMBLY	1	238.81	238.81	ASSEMBLY	1
8	SA-LOCKER	ASSEMBLY	1	83.83	83.83	ASSEMBLY	1
7	SCREW-FLAT-HEAD-LONG	STEEL	6	1.33	7.95	PART	1
6	SA-COVER	ASSEMBLY	2	140.58	281.16	ASSEMBLY	1
5	LSR	WOOD	2			PART	1
4	SA-CONNECTOR	ASSEMBLY	2	225.90	451.81	ASSEMBLY	1
3	SCREW-WOODEN	STEEL	4	0.71	2.82	PART	1
2	SA-BASE	ASSEMBLY	2	159.39	318.78	ASSEMBLY	1
1	PIPE-OUTER	STEEL	1	326.59	326.59	PART	1

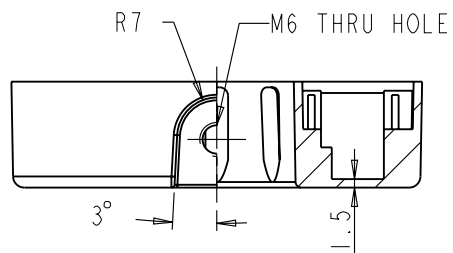
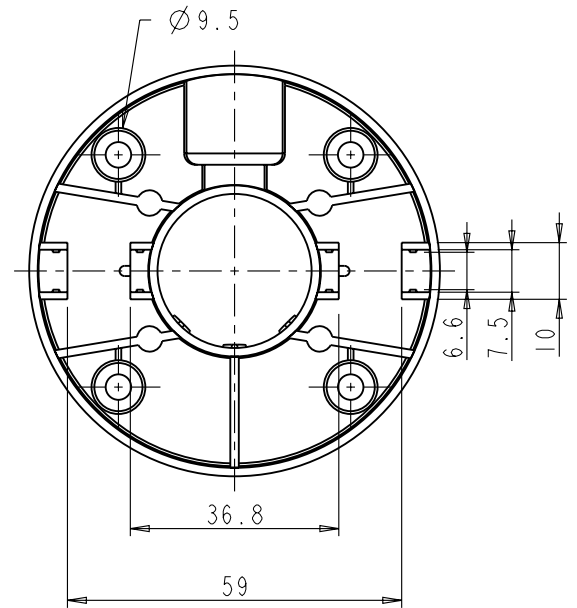
<p>PROPRIETARY AND CONFIDENTIAL</p> <p>THE INFORMATION CONTAINED IN THIS DRAWING IS THE SOLE PROPERTY OF HARDWARE RESOURCES INC. ANY REPRODUCTION IN PART OR AS A WHOLE WITHOUT THE WRITTEN PERMISSION OF HARDWARE RESOURCES INC. IS PROHIBITED.</p> <p>DO NOT SCALE DRAWING</p>	ITEM#:	LSR-SET		MATERIAL:	
	FINISH:			WEIGHT:	
	<p>PROJECTION</p>				9
	TOLERANCE UNLESS OTHERWISE SPECIFIED:	UNITS:	DRAWN BY:	DATE:	
X ±0.20		<i>Alan Liu</i>		APPROVED BY:	DATE:
X.X ±0.10	SIZE:	A4		RELEASE LEVEL:	REVISION:
X.XX ±0.05	SHEET:				
ANGULAR: ±0.5°					



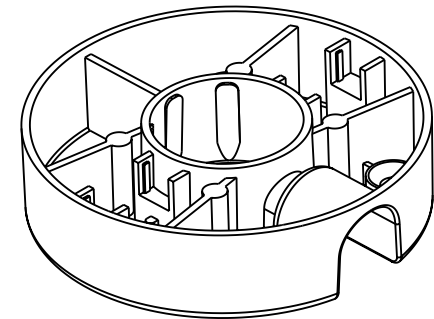
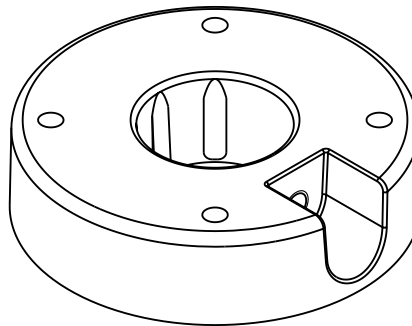
<p>PROPRIETARY AND CONFIDENTIAL</p> <p>THE INFORMATION CONTAINED IN THIS DRAWING IS THE SOLE PROPERTY OF HARDWARE RESOURCES INC. ANY REPRODUCTION IN PART OR AS A WHOLE WITHOUT THE WRITTEN PERMISSION OF HARDWARE RESOURCES INC. IS PROHIBITED.</p> <p>DO NOT SCALE DRAWING</p>	ITEM:	SA-BASE		MATERIAL:
	FINISH:			WEIGHT:
	TOLERANCE UNLESS OTHERWISE SPECIFIED:	UNITS:	DRAWN BY:	DATE:
	SIZE:	A4	APPROVED BY:	DATE:
ANGULAR: $\pm 0.5^\circ$	SHEET:	RELEASE LEVEL:	REVISION:	



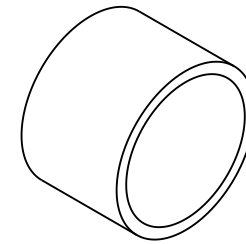
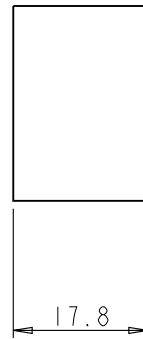
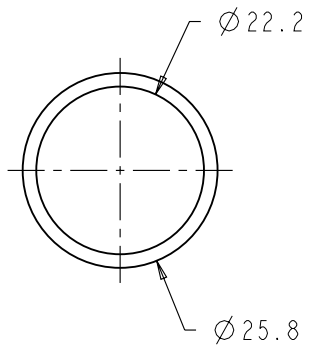
SECTION B-B


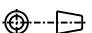


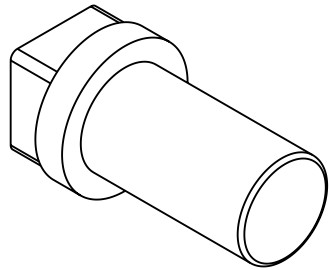
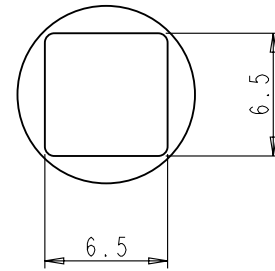
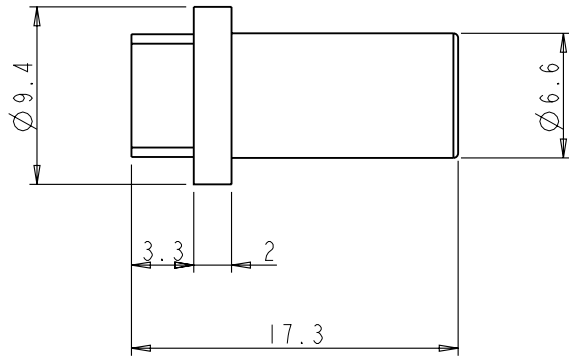
SECTION A-A




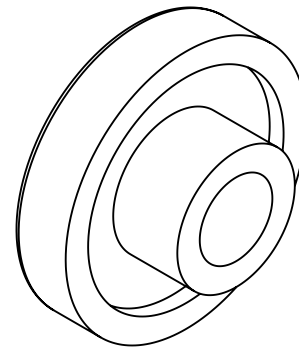
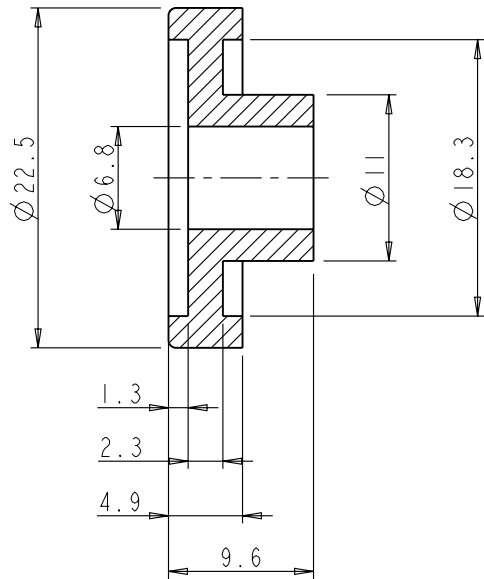
	ITEM:	BASE		MATERIAL:	ZINC
	FINISH:			WEIGHT:	133.30 g
PROPRIETARY AND CONFIDENTIAL THE INFORMATION CONTAINED IN THIS DRAWING IS THE SOLE PROPERTY OF HARDWARE RESOURCES INC. ANY REPRODUCTION IN PART OR AS A WHOLE WITHOUT THE WRITTEN PERMISSION OF HARDWARE RESOURCES INC. IS PROHIBITED.	TOLERANCE UNLESS OTHERWISE SPECIFIED:	UNITS:	DRAWN BY:	DATE:	
	SIZE:	MM	<i>Alan Liu</i>	APPROVED BY:	DATE:
	ANGULAR: ±0.5°	A4	RELEASE LEVEL:	REVISION:	
	DO NOT SCALE DRAWING	SHEET:			



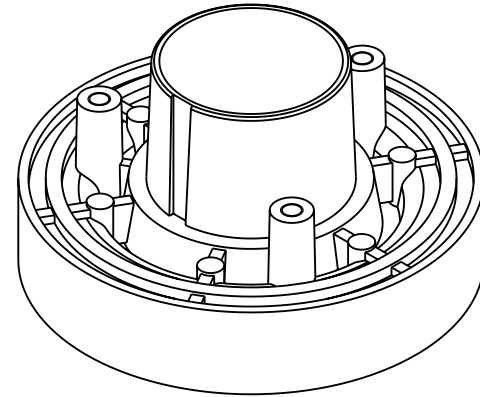
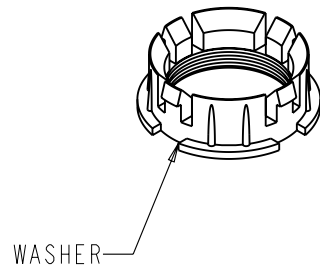
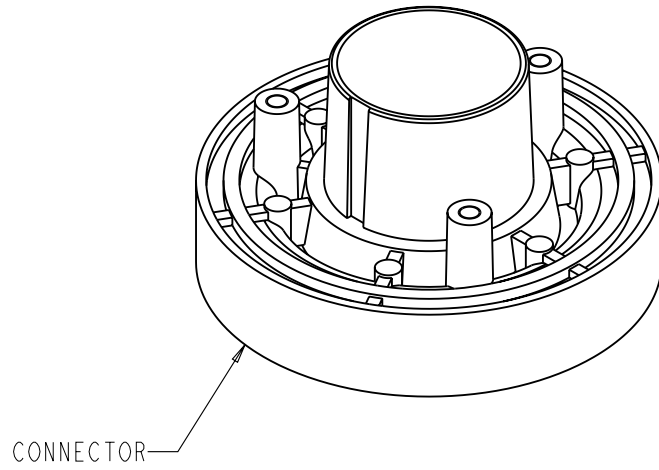
 PROPRIETARY AND CONFIDENTIAL THE INFORMATION CONTAINED IN THIS DRAWING IS THE SOLE PROPERTY OF HARDWARE RESOURCES INC. ANY REPRODUCTION IN PART OR AS A WHOLE WITHOUT THE WRITTEN PERMISSION OF HARDWARE RESOURCES INC. IS PROHIBITED. DO NOT SCALE DRAWING	ITEM#: CELL FINISH:	MATERIAL: PA WEIGHT: 2.80 g PROJECTION: 
	TOLERANCE UNLESS OTHERWISE SPECIFIED: X ±0.20 X.X ±0.10 X.XX ±0.05 ANGULAR: ±0.5°	UNITS: MM SIZE: A4 SHEET:


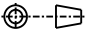


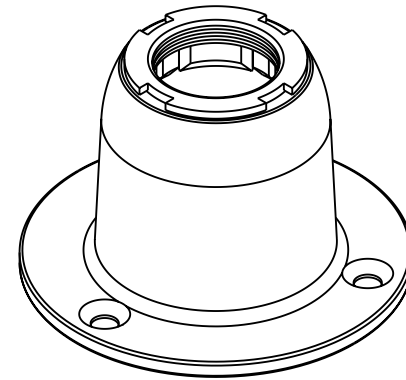
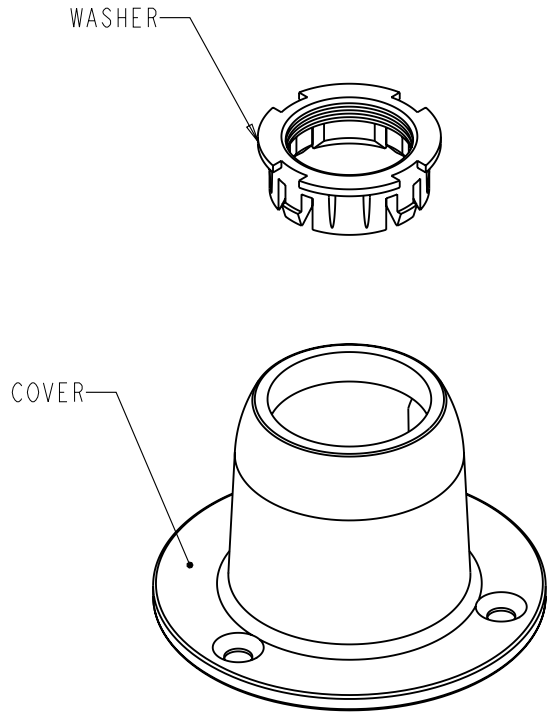
 PROPRIETARY AND CONFIDENTIAL THE INFORMATION CONTAINED IN THIS DRAWING IS THE SOLE PROPERTY OF HARDWARE RESOURCES INC. ANY REPRODUCTION IN PART OR AS A WHOLE WITHOUT THE WRITTEN PERMISSION OF HARDWARE RESOURCES INC. IS PROHIBITED.	ITEM#: SHAFT		MATERIAL: ABS		
	FINISH:		WEIGHT: 0.50 g		
	TOLERANCE UNLESS OTHERWISE SPECIFIED: X ± 0.20 X.X ± 0.10 X.XX ± 0.05 ANGULAR: $\pm 0.5^\circ$		UNITS: MM	DRAWN BY: <i>Alan Liu</i>	DATE:
	DO NOT SCALE DRAWING		SIZE: A4	APPROVED BY:	DATE:
		SHEET:	RELEASE LEVEL:	REVISION:	


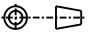


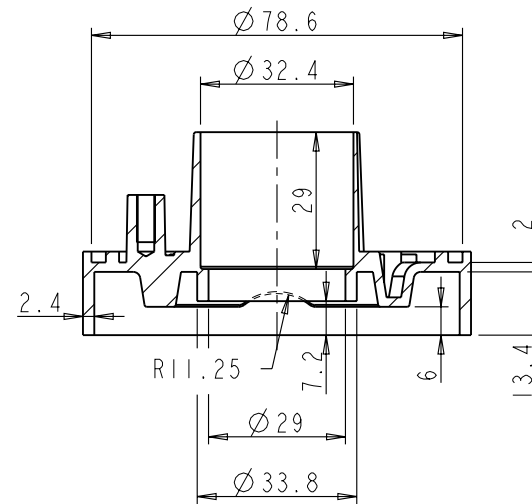
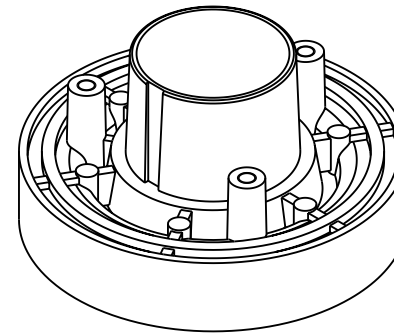
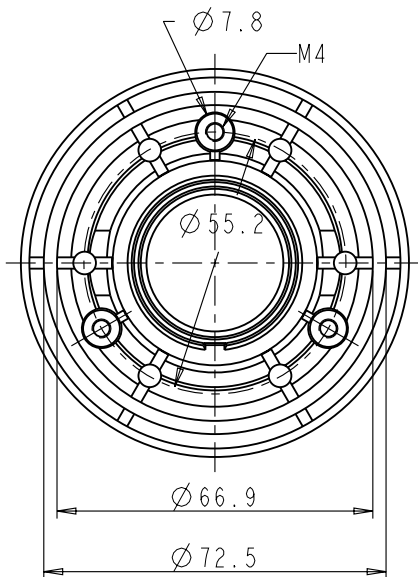
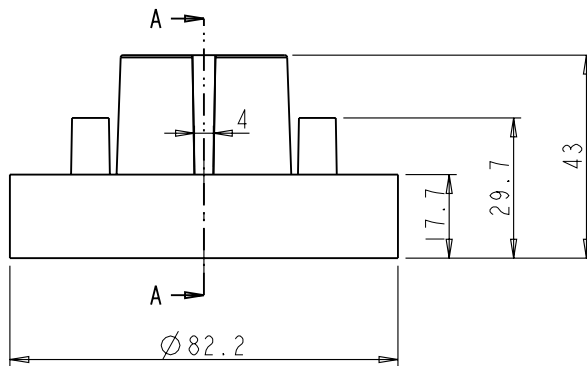
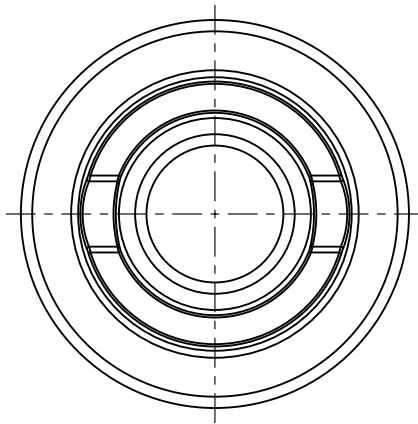
<p>hardware resources</p> <p>PROPRIETARY AND CONFIDENTIAL</p> <p>THE INFORMATION CONTAINED IN THIS DRAWING IS THE SOLE PROPERTY OF HARDWARE RESOURCES INC. ANY REPRODUCTION IN PART OR AS A WHOLE WITHOUT THE WRITTEN PERMISSION OF HARDWARE RESOURCES INC. IS PROHIBITED.</p> <p>DO NOT SCALE DRAWING</p>	ITEM:	WHEEL		MATERIAL:	ABS				
	FINISH:			WEIGHT:	1.30 g				
	TOLERANCE UNLESS OTHERWISE SPECIFIED:			UNITS:	MM	DRAWN BY:	<i>Alan Liu</i>	DATE:	
	SIZE: X ±0.20 X.X ±0.10 X.XX ±0.05 ANGULAR: ±0.5°			SIZE:	A4	APPROVED BY:		DATE:	
			SHEET:		RELEASE LEVEL:		REVISION:		



 PROPRIETARY AND CONFIDENTIAL THE INFORMATION CONTAINED IN THIS DRAWING IS THE SOLE PROPERTY OF HARDWARE RESOURCES INC. ANY REPRODUCTION IN PART OR AS A WHOLE WITHOUT THE WRITTEN PERMISSION OF HARDWARE RESOURCES INC. IS PROHIBITED.	ITEM#: SA-CONNECTOR	MATERIAL:
	FINISH:	WEIGHT: 9
	TOLERANCE UNLESS OTHERWISE SPECIFIED: X ±0.20 X.X ±0.10 X.XX ±0.05 ANGULAR: ±0.5°	PROJECTION 
	DO NOT SCALE DRAWING	
UNITS:	DRAWN BY: <i>Alan Liu</i>	DATE:
SIZE: A4	APPROVED BY:	DATE:
SHEET:	RELEASE LEVEL:	REVISION:

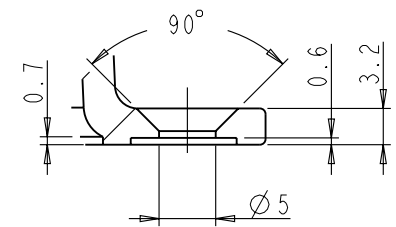
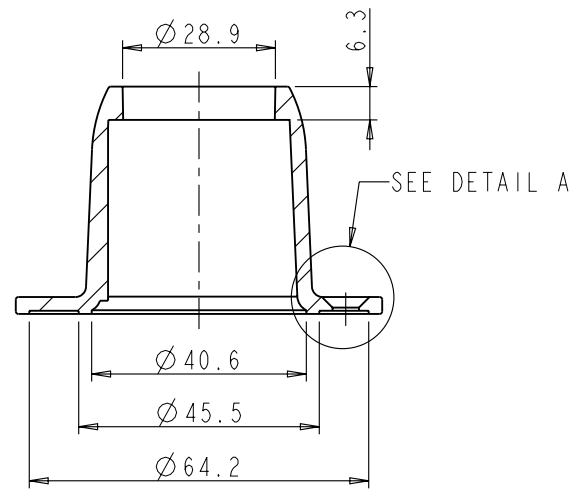
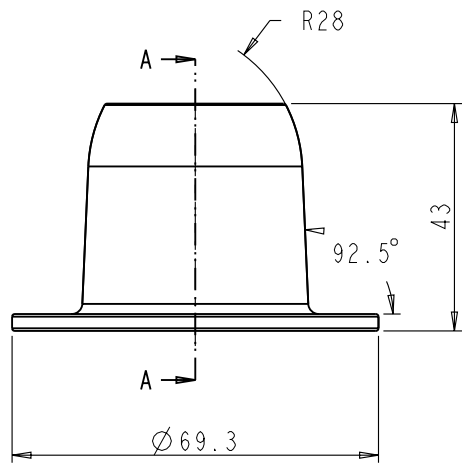
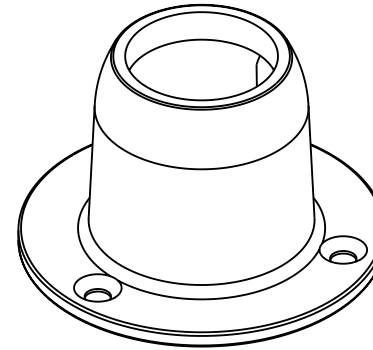
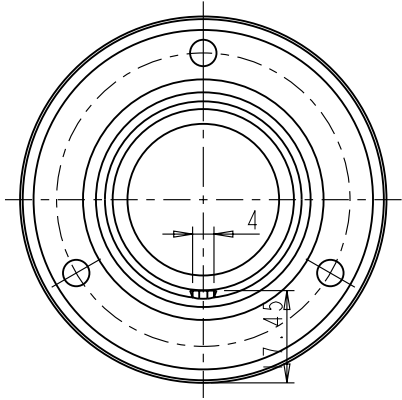


 PROPRIETARY AND CONFIDENTIAL THE INFORMATION CONTAINED IN THIS DRAWING IS THE SOLE PROPERTY OF HARDWARE RESOURCES INC. ANY REPRODUCTION IN PART OR AS A WHOLE WITHOUT THE WRITTEN PERMISSION OF HARDWARE RESOURCES INC. IS PROHIBITED.	ITEM#: SA-COVER	MATERIAL:
	FINISH:	WEIGHT: 9
	TOLERANCE UNLESS OTHERWISE SPECIFIED: X ±0.20 X.X ±0.10 X.XX ±0.05 ANGULAR: ±0.5° DO NOT SCALE DRAWING	PROJECTION 
	UNITS:	DRAWN BY: <i>Alan Liu</i>
SIZE: A4	APPROVED BY:	DATE:
SHEET:	RELEASE LEVEL:	REVISION:

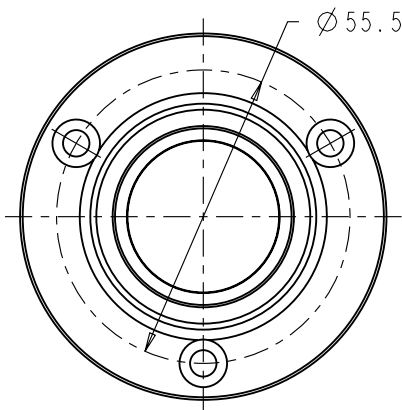


SECTION A-A

<p>hardware resources</p> <p>PROPRIETARY AND CONFIDENTIAL</p> <p>THE INFORMATION CONTAINED IN THIS DRAWING IS THE SOLE PROPERTY OF HARDWARE RESOURCES INC. ANY REPRODUCTION IN PART OR AS A WHOLE WITHOUT THE WRITTEN PERMISSION OF HARDWARE RESOURCES INC. IS PROHIBITED.</p> <p>DO NOT SCALE DRAWING</p>	ITEM:	CONNECTOR		MATERIAL:	ZINC	
	FINISH:			WEIGHT:	236.00 g	
	TOLERANCE UNLESS OTHERWISE SPECIFIED:	UNITS:	MM	DRAWN BY:	<i>Alan Liu</i>	DATE:
	SIZE:	A4	APPROVED BY:		DATE:	
	SHEET:	RELEASE LEVEL:		REVISION:		

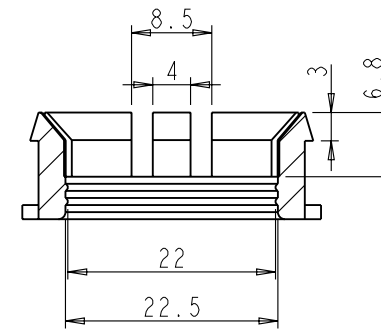
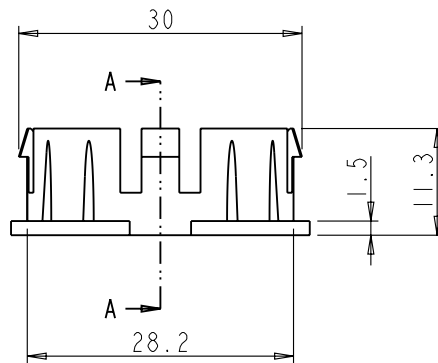
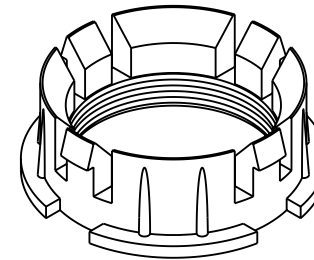
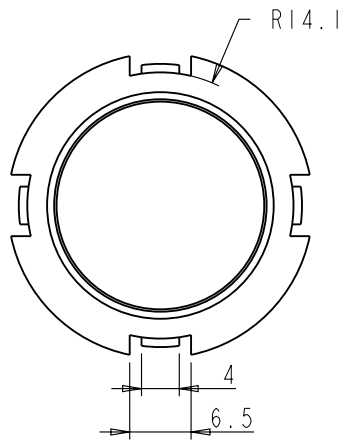


DETAIL A
SCALE 3:2

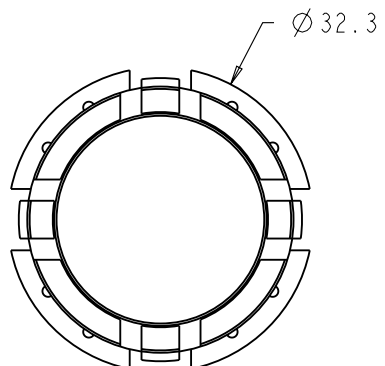


SECTION A-A

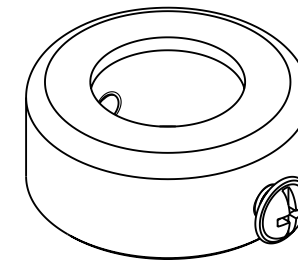
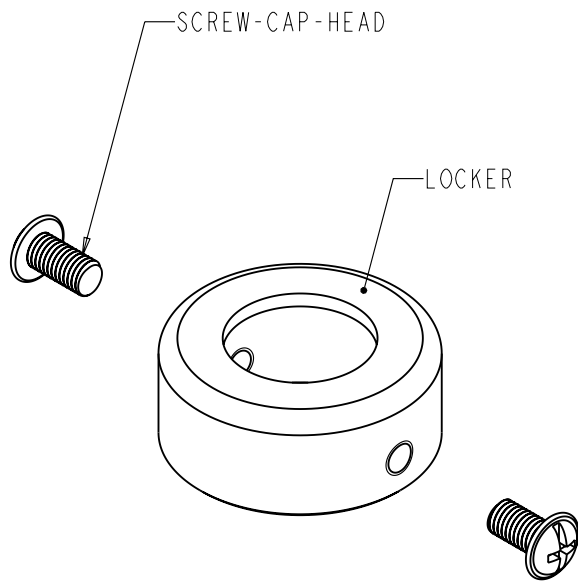
<p>PROPRIETARY AND CONFIDENTIAL</p> <p>THE INFORMATION CONTAINED IN THIS DRAWING IS THE SOLE PROPERTY OF HARDWARE RESOURCES INC. ANY REPRODUCTION IN PART OR AS A WHOLE WITHOUT THE WRITTEN PERMISSION OF HARDWARE RESOURCES INC. IS PROHIBITED.</p> <p>DO NOT SCALE DRAWING</p>	ITEM:	COVER		MATERIAL:	ZINC
	FINISH:			WEIGHT:	136.50 g
	TOLERANCE UNLESS OTHERWISE SPECIFIED:	UNITS:	DRAWN BY:	DATE:	
	X ±0.20 X.X ±0.10 X.XX ±0.05 ANGULAR: ±0.5°	MM	<i>Alan Liu</i>		
	SIZE:	A4	APPROVED BY:	DATE:	
	SHEET:		RELEASE LEVEL:	REVISION:	


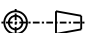


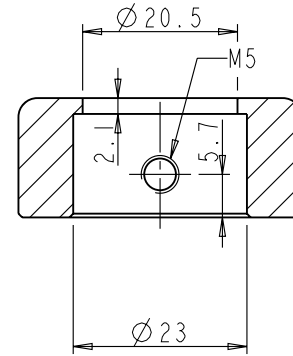
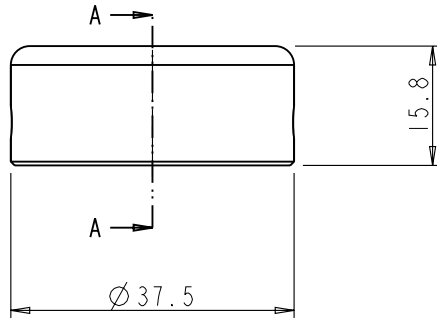
SECTION A-A



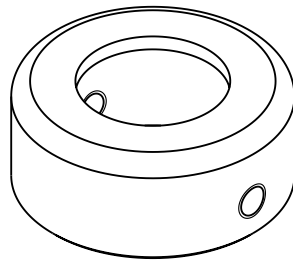
	ITEM#: WASHER		MATERIAL: PA		
	FINISH:		WEIGHT: 2.90 g		
<p>PROPRIETARY AND CONFIDENTIAL</p> <p>THE INFORMATION CONTAINED IN THIS DRAWING IS THE SOLE PROPERTY OF HARDWARE RESOURCES INC. ANY REPRODUCTION IN PART OR AS A WHOLE WITHOUT THE WRITTEN PERMISSION OF HARDWARE RESOURCES INC. IS PROHIBITED.</p>	TOLERANCE UNLESS OTHERWISE SPECIFIED:		UNITS: MM	DRAWN BY: <i>Alan Liu</i>	
	X ±0.20 X.X ±0.10 X.XX ±0.05 ANGULAR: ±0.5°		SIZE: A4	APPROVED BY:	
	DO NOT SCALE DRAWING		SHEET:	RELEASE LEVEL:	DATE:
					REVISION:



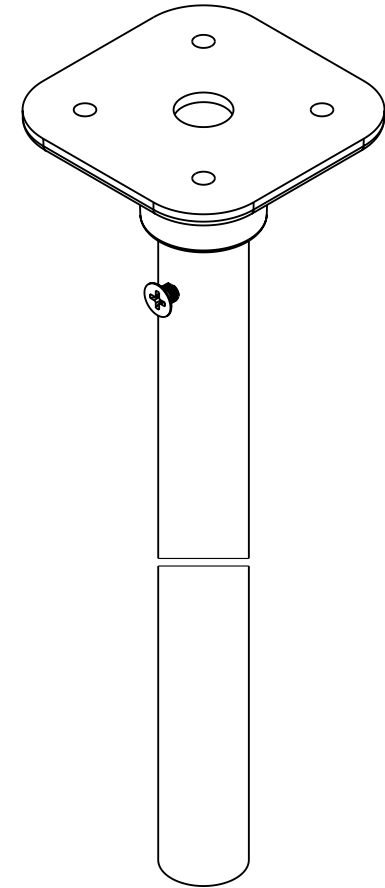
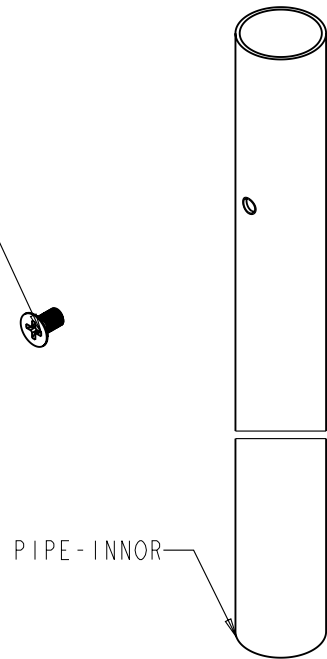
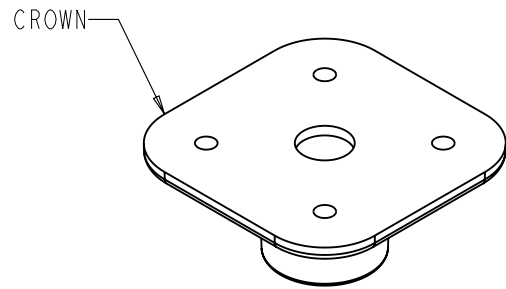
 PROPRIETARY AND CONFIDENTIAL THE INFORMATION CONTAINED IN THIS DRAWING IS THE SOLE PROPERTY OF HARDWARE RESOURCES INC. ANY REPRODUCTION IN PART OR AS A WHOLE WITHOUT THE WRITTEN PERMISSION OF HARDWARE RESOURCES INC. IS PROHIBITED. DO NOT SCALE DRAWING	ITEM#: SA-LOCKER		MATERIAL:		
	FINISH:		WEIGHT: 9		
	TOLERANCE UNLESS OTHERWISE SPECIFIED: X ±0.20 X.X ±0.10 X.XX ±0.05 ANGULAR: ±0.5°		UNITS:	DRAWN BY: <i>Alan Liu</i>	DATE:
	SIZE: A4		APPROVED BY:	DATE:	
SHEET:		RELEASE LEVEL:	REVISION:		
PROJECTION 					




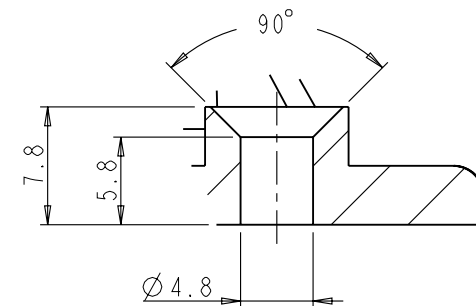
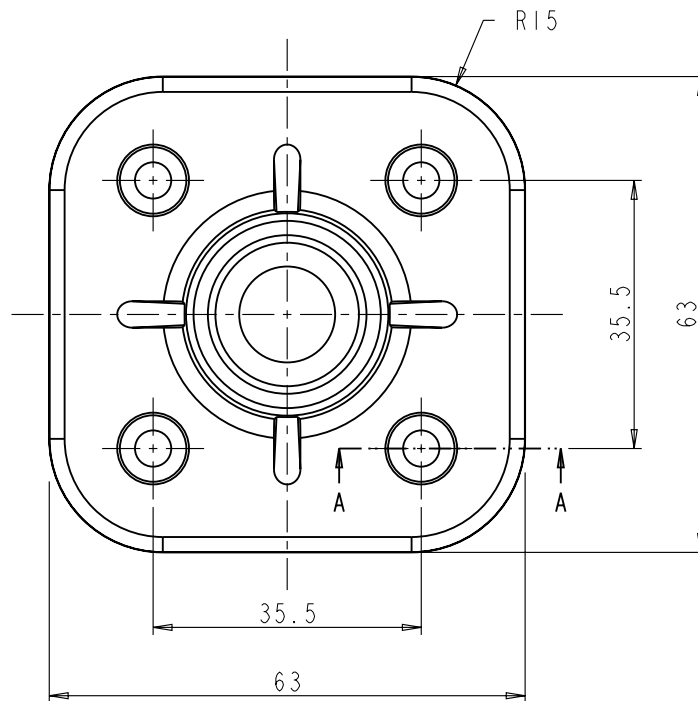
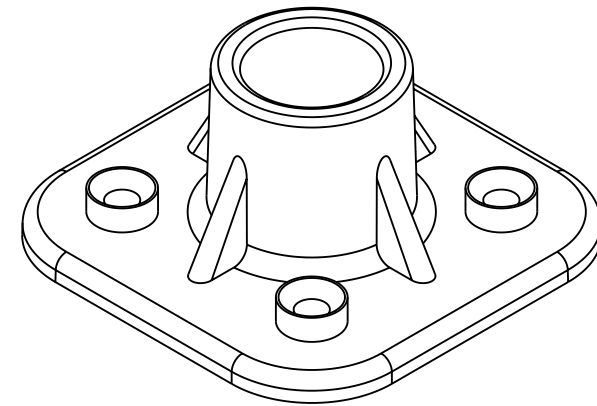
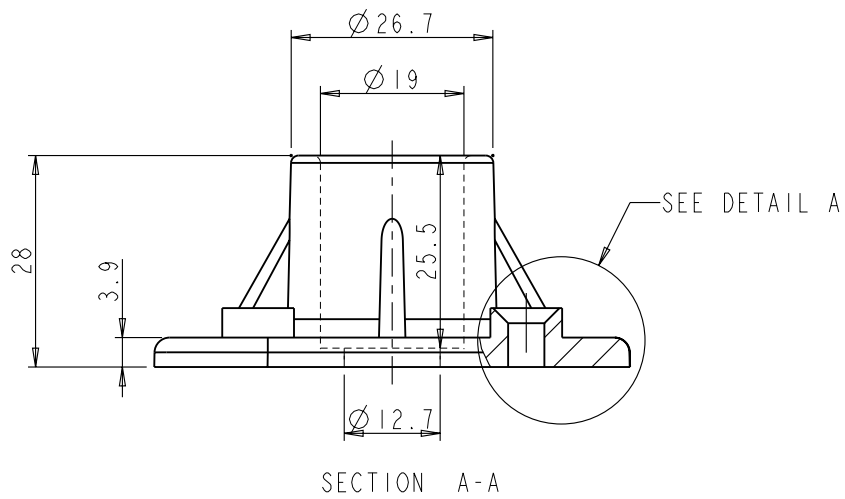
SECTION A-A



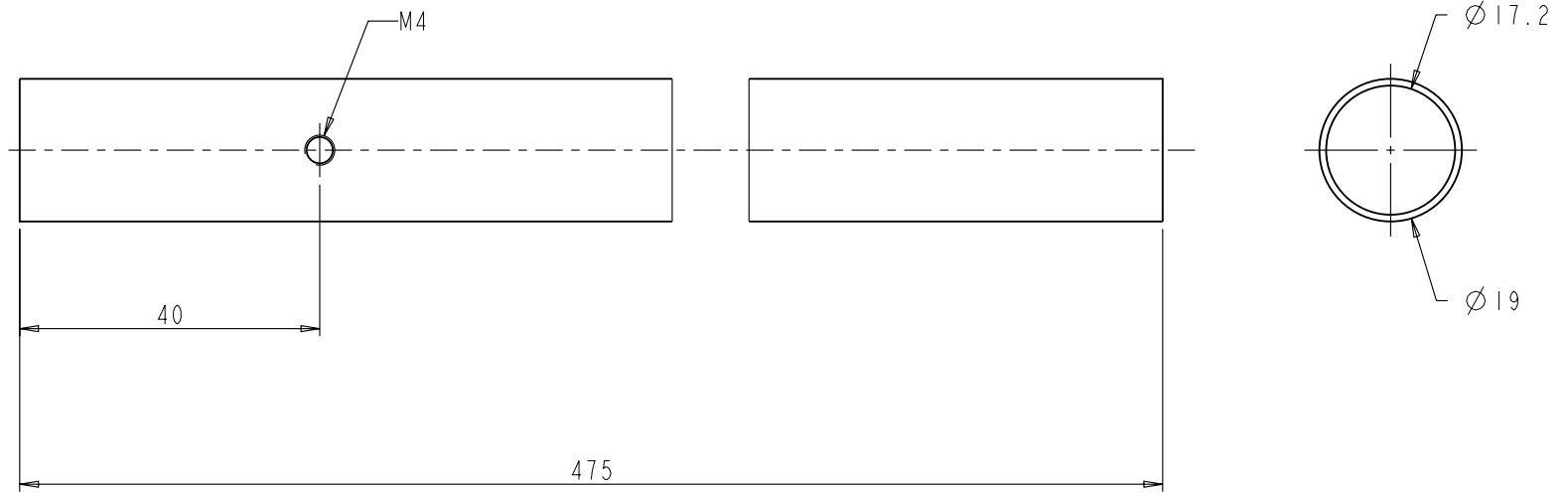
<p>hardware resources</p> <p><u>PROPRIETARY AND CONFIDENTIAL</u></p> <p>THE INFORMATION CONTAINED IN THIS DRAWING IS THE SOLE PROPERTY OF HARDWARE RESOURCES INC. ANY REPRODUCTION IN PART OR AS A WHOLE WITHOUT THE WRITTEN PERMISSION OF HARDWARE RESOURCES INC. IS PROHIBITED.</p> <p>DO NOT SCALE DRAWING</p>	ITEM#: LOCKER		MATERIAL: STEEL		
	FINISH:		WEIGHT: 83.00 g		
	TOLERANCE UNLESS OTHERWISE SPECIFIED: X ±0.20 X.X ±0.10 X.XX ±0.05 ANGULAR: ±0.5°		UNITS: MM	DRAWN BY: <i>Alan Liu</i>	
	DATE:		SIZE: A4	APPROVED BY:	DATE:
PROJECTION		SHEET:	RELEASE LEVEL:	REVISION:	


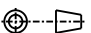


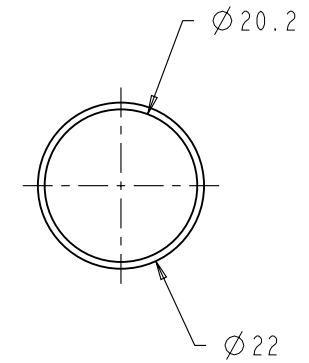
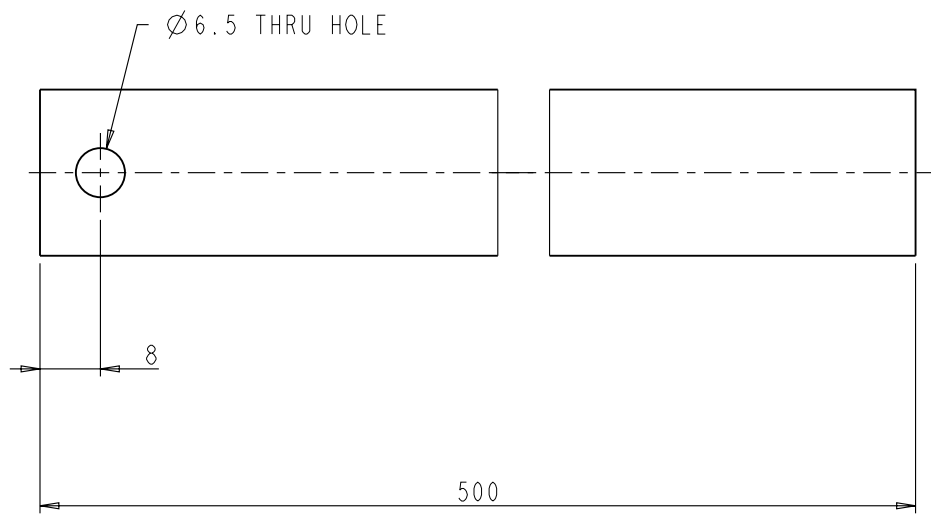
 <p>PROPRIETARY AND CONFIDENTIAL</p> <p>THE INFORMATION CONTAINED IN THIS DRAWING IS THE SOLE PROPERTY OF HARDWARE RESOURCES INC. ANY REPRODUCTION IN PART OR AS A WHOLE WITHOUT THE WRITTEN PERMISSION OF HARDWARE RESOURCES INC. IS PROHIBITED.</p> <p>DO NOT SCALE DRAWING</p>	ITEM:	SA - INNER-PIPE		MATERIAL:	
	FINISH:			WEIGHT:	
	TOLERANCE UNLESS OTHERWISE SPECIFIED:			UNITS:	DRAWN BY:
	X ±0.20 X.X ±0.10 X.XX ±0.05 ANGULAR: ±0.5°			DATE:	<i>Alan Liu</i>
SIZE:		A4	APPROVED BY:	DATE:	
SHEET:		RELEASE LEVEL:	REVISION:		



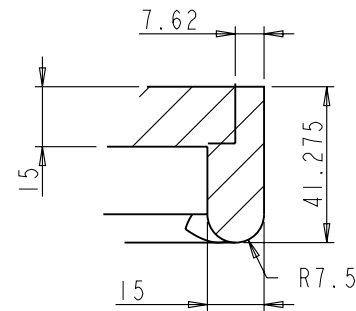
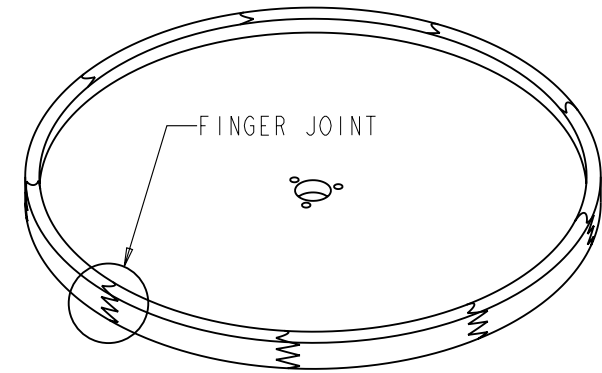
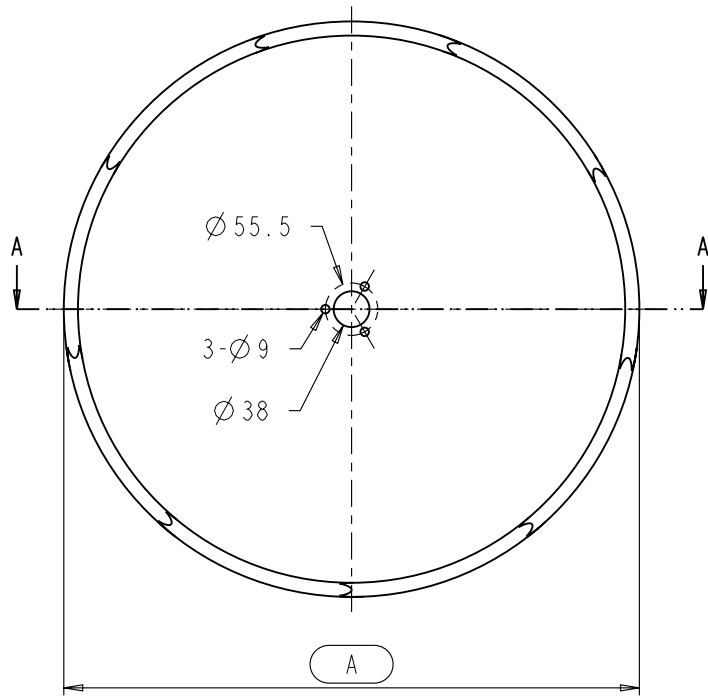
	ITEM:	CROWN		MATERIAL:	ABS
	FINISH:			WEIGHT:	23.30 g
<p>PROPRIETARY AND CONFIDENTIAL</p> <p>THE INFORMATION CONTAINED IN THIS DRAWING IS THE SOLE PROPERTY OF HARDWARE RESOURCES INC. ANY REPRODUCTION IN PART OR AS A WHOLE WITHOUT THE WRITTEN PERMISSION OF HARDWARE RESOURCES INC. IS PROHIBITED.</p>	TOLERANCE UNLESS OTHERWISE SPECIFIED:	UNITS:	DRAWN BY:	DATE:	
	X ±0.20	MM	<i>Alan Liu</i>		
	X.X ±0.10	SIZE:	APPROVED BY:	DATE:	
	X.XX ±0.05	A4			
ANGULAR: ±0.5°	SHEET:	RELEASE LEVEL:	REVISION:		
DO NOT SCALE DRAWING					



 PROPRIETARY AND CONFIDENTIAL THE INFORMATION CONTAINED IN THIS DRAWING IS THE SOLE PROPERTY OF HARDWARE RESOURCES INC. ANY REPRODUCTION IN PART OR AS A WHOLE WITHOUT THE WRITTEN PERMISSION OF HARDWARE RESOURCES INC. IS PROHIBITED. DO NOT SCALE DRAWING	ITEM#: PIPE - INNOR		MATERIAL: STEEL		
	FINISH:		WEIGHT: 189.54 g		
	TOLERANCE UNLESS OTHERWISE SPECIFIED: I ±0.20 I.X ±0.10 I.XX ±0.05 ANGULAR: ±0.5°		UNITS: MM	DRAWN BY: <i>Alan Liu</i>	DATE:
	SHEET:		SIZE: A4	APPROVED BY:	DATE:
		PROJECTION 	RELEASE LEVEL:	REVISION:	

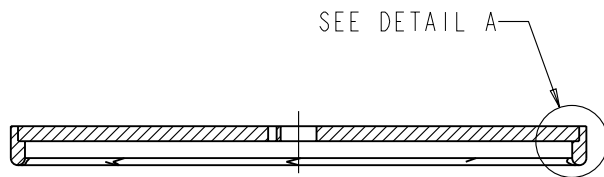


	ITEM#: PIPE-OUTER		MATERIAL: STEEL		
	FINISH:		WEIGHT: 232.20 g		
<p>PROPRIETARY AND CONFIDENTIAL</p> <p>THE INFORMATION CONTAINED IN THIS DRAWING IS THE SOLE PROPERTY OF HARDWARE RESOURCES INC. ANY REPRODUCTION IN PART OR AS A WHOLE WITHOUT THE WRITTEN PERMISSION OF HARDWARE RESOURCES INC. IS PROHIBITED.</p> <p>DO NOT SCALE DRAWING</p>	PROJECTION		DATE:		
	TOLERANCE UNLESS OTHERWISE SPECIFIED:		UNITS: MM	DRAWN BY: <i>Alan Liu</i>	DATE:
	I ±0.20 I.I ±0.10 I.II ±0.05 ANGULAR: ±0.5°		SIZE: A4	APPROVED BY:	DATE:
	SHEET:		RELEASE LEVEL:	REVISION:	



Spec Sheet:

ITEM NO.	A (MM)
LSR18	457.2
LSR24	609.6
LSR28	711.2



DETAIL A
SCALE 1:2

SECTION A-A

<p>PROPRIETARY AND CONFIDENTIAL</p> <p>THE INFORMATION CONTAINED IN THIS DRAWING IS THE SOLE PROPERTY OF HARDWARE RESOURCES INC. ANY REPRODUCTION IN PART OR AS A WHOLE WITHOUT THE WRITTEN PERMISSION OF HARDWARE RESOURCES INC. IS PROHIBITED.</p>	ITEM:		MATERIAL:	
	LSR		PLY WOOD	
	FINISH:		WEIGHT:	
			9	
TOLERANCE UNLESS OTHERWISE SPECIFIED:		UNITS:	DRAWN BY:	DATE:
X ±0.20		MM	<i>Alan Liu</i>	
X.X ±0.10		SIZE:	APPROVED BY:	DATE:
X.XX ±0.05		A4		
ANGULAR: ±0.5°		SHEET:	RELEASE LEVEL:	REVISION:
DO NOT SCALE DRAWING				