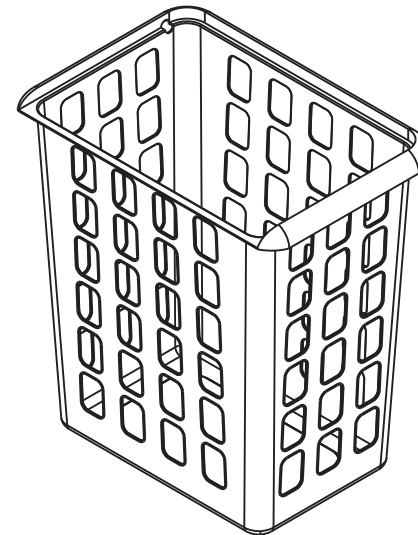
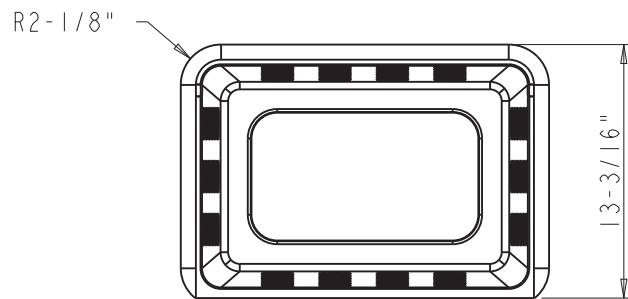
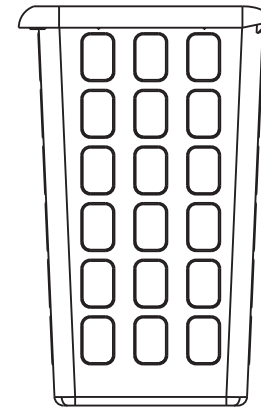
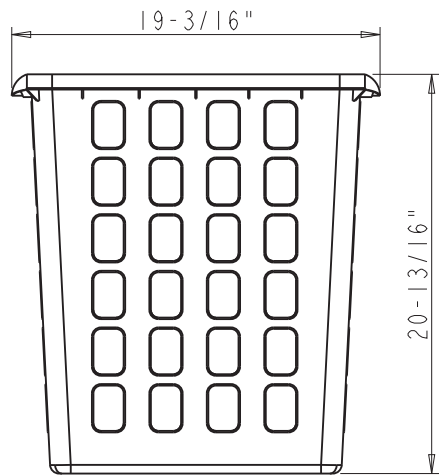
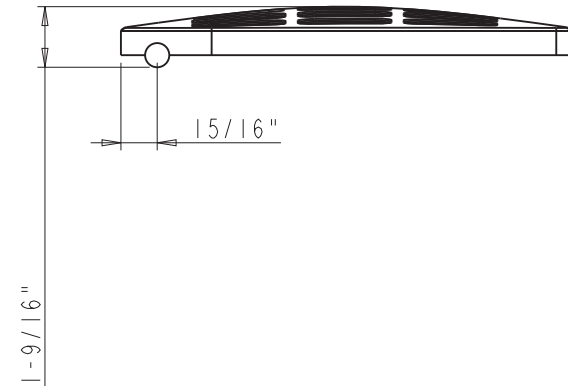
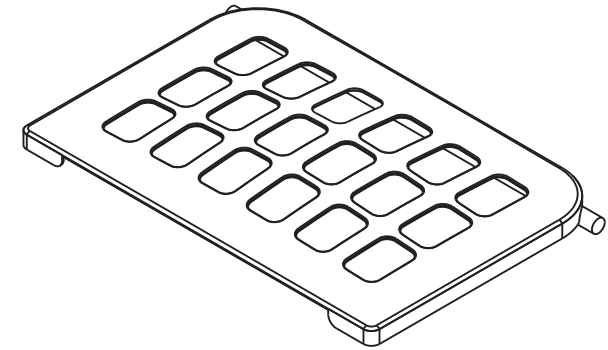
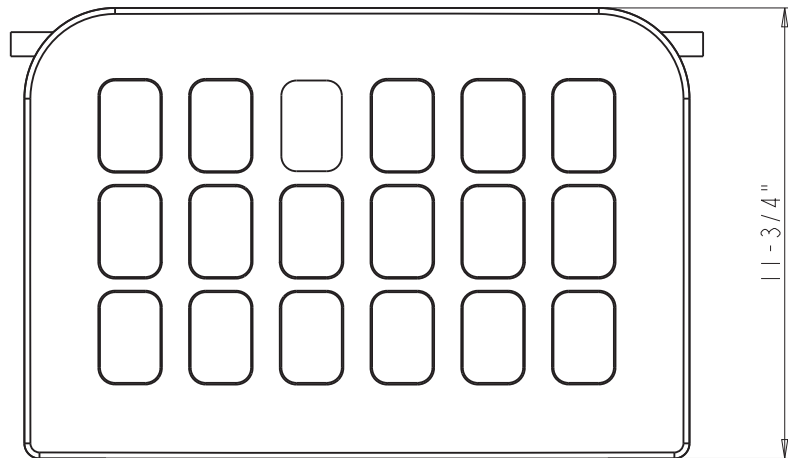
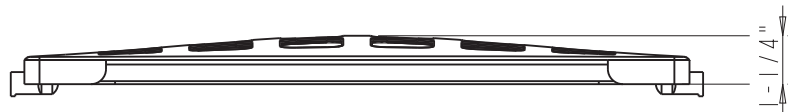
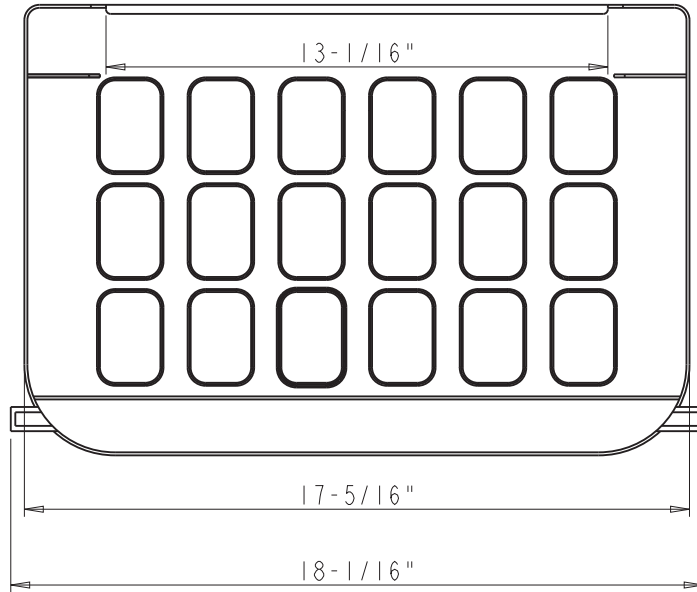


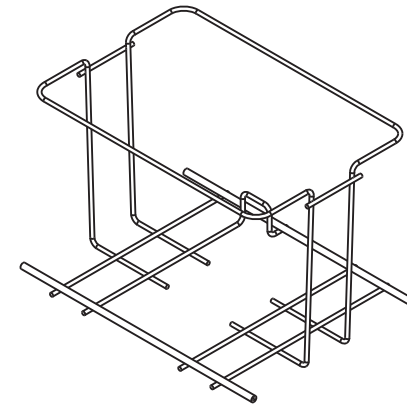
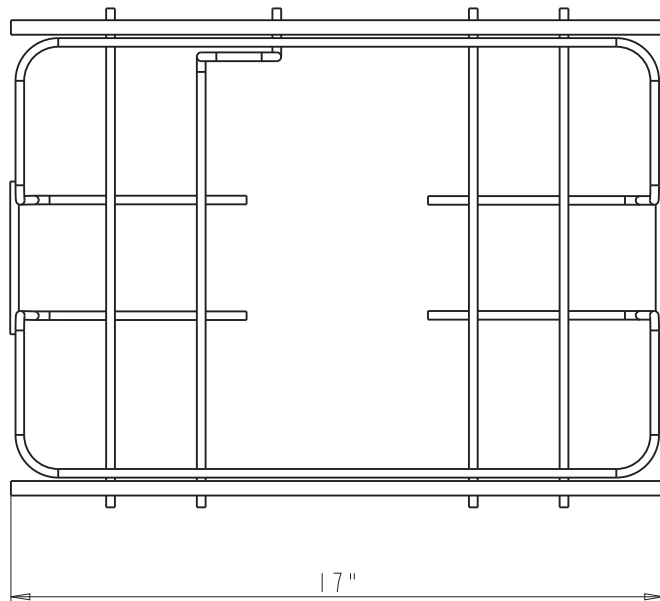
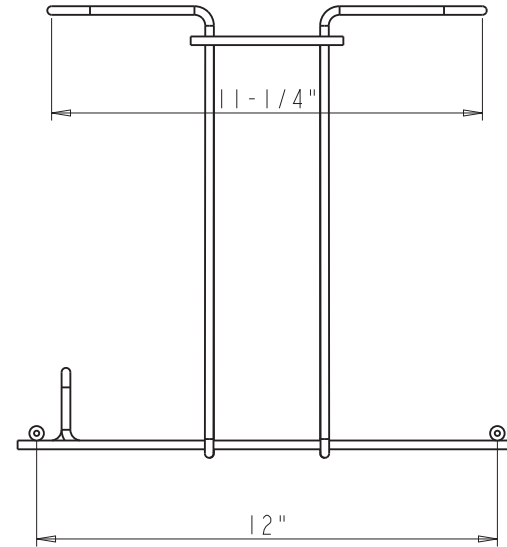
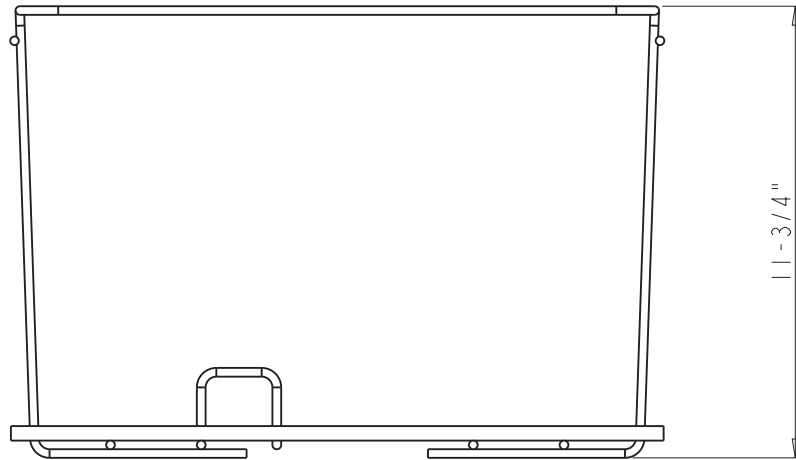
	ITEM:	CLOTH_HAMPES		MATERIAL:	PTC_MATERIAL_NAME
	FINISH:			WEIGHT:	0.000
PROPRIETARY AND CONFIDENTIAL THE INFORMATION CONTAINED IN THIS DRAWING IS THE SOLE PROPERTY OF HARDWARE RESOURCES INC. ANY REPRODUCTION IN PART OR AS A WHOLE WITHOUT THE WRITTEN PERMISSION OF HARDWARE RESOURCES INC. IS PROHIBITED.	TOLERANCE UNLESS OTHERWISE SPECIFIED: X ±0.20 XX ±0.10 XXX ±0.05 ANGULAR: ±0.5°		UNITS:	DRAWN BY:	DATE:
	SIZE: A4		APPROVED BY: <i>Hugo.cai</i>		DATE:
	SHEET: 1 OF 1		RELEASE LEVEL:		REVISION:
	DO NOT SCALE DRAWING		PROJECTION:		


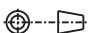


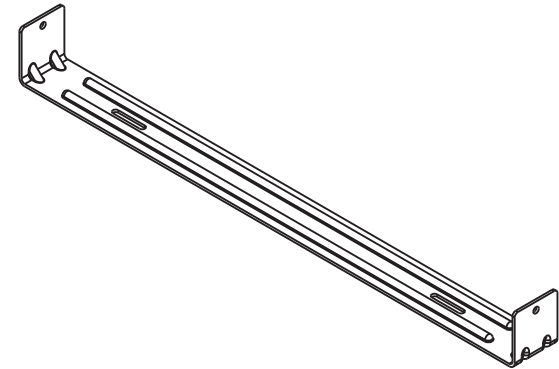
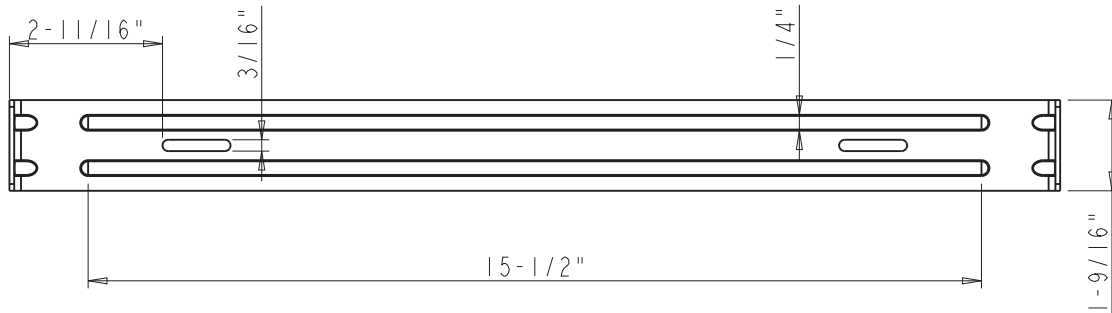
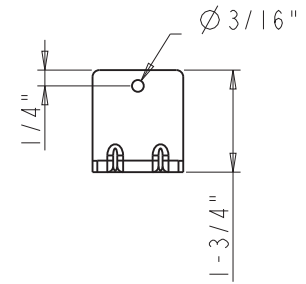
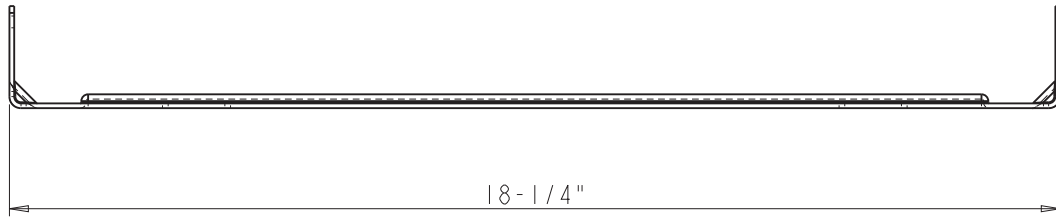
	ITEM#: CAN		MATERIAL: PTC_MATERIAL_NAME		
	FINISH:		WEIGHT: 0.000 g		
PROPRIETARY AND CONFIDENTIAL THE INFORMATION CONTAINED IN THIS DRAWING IS THE SOLE PROPERTY OF HARDWARE RESOURCES INC. ANY REPRODUCTION IN PART OR AS A WHOLE WITHOUT THE WRITTEN PERMISSION OF HARDWARE RESOURCES INC. IS PROHIBITED.	TOLERANCE UNLESS OTHERWISE SPECIFIED: X ±0.20 XX ±0.10 XXX ±0.05 ANGULAR: ±0.5°		UNITS: SIZE: A4 SHEET: 1 OF 1	DRAWN BY: <i>Hugo.cai</i> APPROVED BY: RELEASE LEVEL:	DATE: DATE: REVISION:
	DO NOT SCALE DRAWING		PROJECTION		



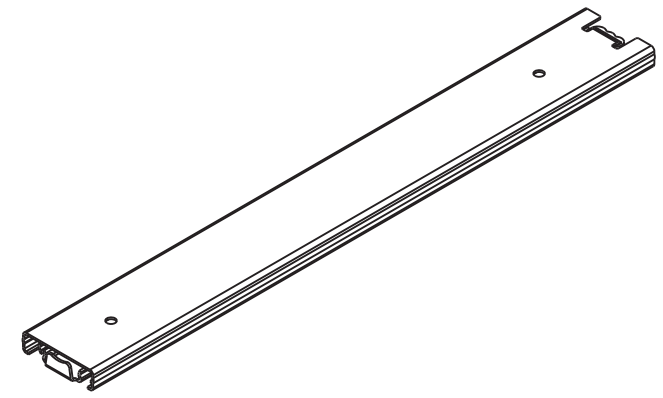
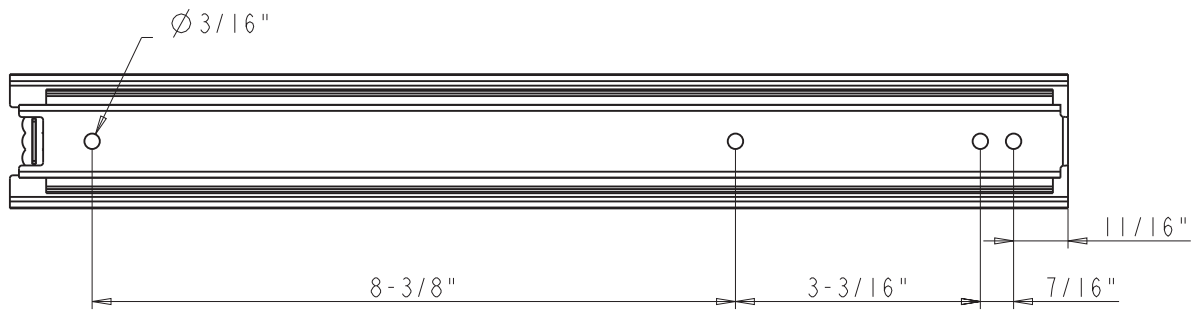
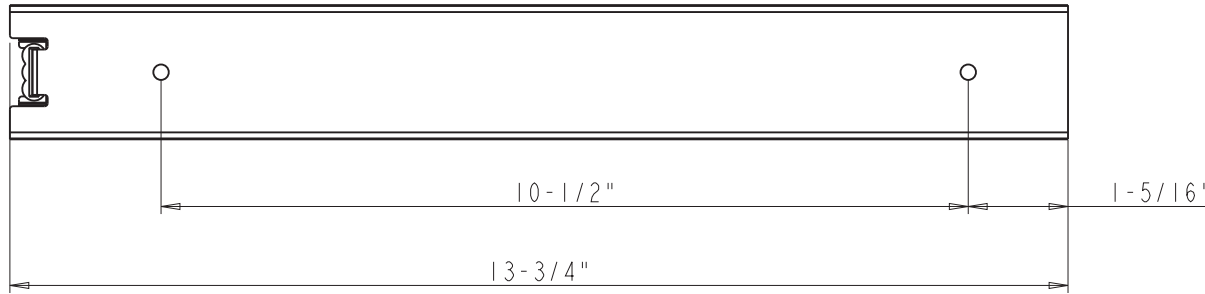
	ITEM:	CAN-TOP		MATERIAL:	PTC_MATERIAL_NAME
	FINISH:			WEIGHT:	0.000 g
PROPRIETARY AND CONFIDENTIAL THE INFORMATION CONTAINED IN THIS DRAWING IS THE SOLE PROPERTY OF HARDWARE RESOURCES INC. ANY REPRODUCTION IN PART OR AS A WHOLE WITHOUT THE WRITTEN PERMISSION OF HARDWARE RESOURCES INC. IS PROHIBITED.	TOLERANCE UNLESS OTHERWISE SPECIFIED: X ±0.20 XX ±0.10 XXX ±0.05 ANGULAR: ±0.5°		UNITS: SIZE: A4 SHEET: 1 OF 1	DRAWN BY: <i>Hugo.cai</i> APPROVED BY: RELEASE LEVEL:	DATE: 07-28-15 DATE: REVISION:
	DO NOT SCALE DRAWING				



 PROPRIETARY AND CONFIDENTIAL THE INFORMATION CONTAINED IN THIS DRAWING IS THE SOLE PROPERTY OF HARDWARE RESOURCES INC. ANY REPRODUCTION IN PART OR AS A WHOLE WITHOUT THE WRITTEN PERMISSION OF HARDWARE RESOURCES INC. IS PROHIBITED.	ITEM: FRAME I	MATERIAL: PTC_MATERIAL_NAME
	FINISH:	WEIGHT: 0.000
TOLERANCE UNLESS OTHERWISE SPECIFIED: X ±0.20 XX ±0.10 XXX ±0.05 ANGULAR: ±0.5°	UNITS: A4	PROJECTION 
DO NOT SCALE DRAWING	DATE: 07-28-15	DATE:
SHEET: 1 OF 1	APPROVED BY: <i>Hugo Cal</i>	DATE:
RELEASE LEVEL:	REVISION:	



	ITEM#: HENGLIANG		MATERIAL: PTC_MATERIAL_NAME		
	FINISH:		WEIGHT: 0.000 g		
PROPRIETARY AND CONFIDENTIAL THE INFORMATION CONTAINED IN THIS DRAWING IS THE SOLE PROPERTY OF HARDWARE RESOURCES INC. ANY REPRODUCTION IN PART OR AS A WHOLE WITHOUT THE WRITTEN PERMISSION OF HARDWARE RESOURCES INC. IS PROHIBITED.	TOLERANCE UNLESS OTHERWISE SPECIFIED: X ±0.20 XX ±0.10 XXX ±0.05 ANGULAR: ±0.5°		UNITS: SIZE: A4 SHEET: 1 OF 1	DRAWN BY: <i>Hugo.cai</i> APPROVED BY: RELEASE LEVEL:	DATE: 07-28-15 DATE: REVISION:
	DO NOT SCALE DRAWING		PROJECTION:		



	ITEM:	303FU141		MATERIAL:	PTC_MATERIAL_NAME
	FINISH:			WEIGHT:	0.000 g
PROPRIETARY AND CONFIDENTIAL THE INFORMATION CONTAINED IN THIS DRAWING IS THE SOLE PROPERTY OF HARDWARE RESOURCES INC. ANY REPRODUCTION IN PART OR AS A WHOLE WITHOUT THE WRITTEN PERMISSION OF HARDWARE RESOURCES INC. IS PROHIBITED.	TOLERANCE UNLESS OTHERWISE SPECIFIED: X ±0.20 XX ±0.10 XXX ±0.05 ANGULAR: ±0.5°		UNITS: SIZE: A4 SHEET: 1 OF 1	DRAWN BY: <i>Hugo.cai</i> APPROVED BY: RELEASE LEVEL:	DATE: 07-27-15 DATE: REVISION:
	DO NOT SCALE DRAWING				